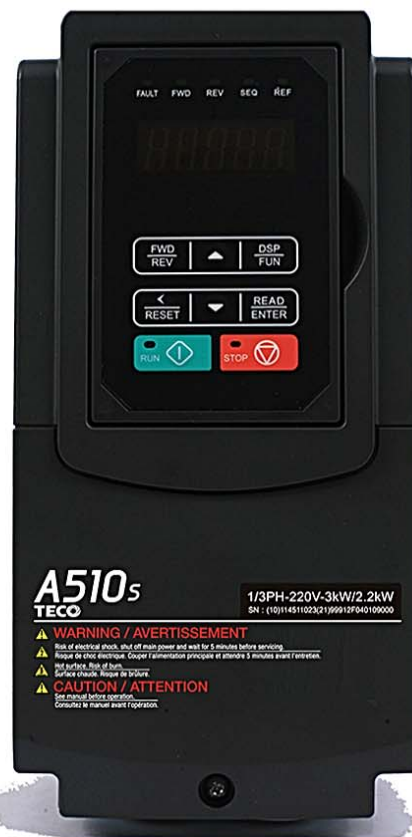


# Quick Setting Manual

快速設定手冊

TECO

INVERTER



TECO INVERTER

A510s Series

# Chapter 1 Safety Precautions

## 1.1 Before Supplying Power to the Inverter

### Warning

The main circuit must be correctly wired. For single phase supply use input terminals (R/L1, T/L3) and for three phase supply use input terminals (R/L1, S/L2, T/L3). Terminals U/T1, V/T2, W/T3 must only be used to connect the motor. Connecting the input supply to any of the U/T1, V/T2 or W/T3 terminals will cause damage to the inverter.

### Caution

- To avoid the front cover from disengaging or other physical damage, do not carry the inverter by its cover. Support the unit by its heat sink when transporting. Improper handling can damage the inverter or injure personnel, and should be avoided.
- To avoid the risk of fire, do not install the inverter on or near flammable objects. Install on nonflammable objects such as metal surfaces.
- If several inverters are placed inside the same control panel, provide adequate ventilation to maintain the temperature below 40°C/104°F (50°C/122°F without a dust cover) to avoid overheating or fire.
- When removing or installing the digital operator, turn off the power first, and then follow the instructions in our instruction manual to avoid operator error or loss of display caused by faulty connections.

### Warning

- This product is sold subject to IEC 61800-3. In a domestic environment this product may cause radio interference in which case the user may need to apply corrective measures.
- Motor over temperature protection is provided.

## 1.2 Wiring

### Warning

- Always turn OFF the power supply before attempting inverter installation and wiring of the user terminals.
- Wiring must be performed by a qualified personnel / certified electrician.
- Make sure the inverter is properly grounded. (200V Class: Grounding impedance shall be less than 100Ω. 400V Class: Grounding impedance shall be less than 10Ω.)
- Make sure the inverter is properly grounded. It is required to disconnect the ground wire in the control board to avoid the sudden surge causing damage on electronic parts if it is improperly grounded.
- RCD is required to be in compliance with the protection norm of B-type leakage current.
- Please check and test emergency stop circuits after wiring. (Installer is responsible for the correct wiring.)
- Never touch any of the input or output power lines directly or allow any input or output power lines to come in contact with the inverter case.
- Do not perform a dielectric voltage withstand test (megger) on the inverter this will result in inverter damage to the semiconductor components.

### Caution

- The line voltage applied must comply with the inverter's specified input voltage. (See product nameplate section 2.1)
- Connect braking resistor and braking unit to the designated terminals. (See section 3.10)

- Do not connect a braking resistor directly to the DC terminals P (+) and N (-), otherwise fire may result.
- Use wire gauge recommendations and torque specifications. (See Wire Gauge and Torque Specification in section 3.6)
- Never connect input power to the inverter output terminals U/T1, V/T2, W/T3.
- Do not connect a contactor or switch in series with the inverter and the motor.
- Do not connect a power factor correction capacitor or surge suppressor to the inverter output.
- Ensure the interference generated by the inverter and motor does not affect peripheral devices.

### 1.3 Before Operation



#### Warning

- Make sure the inverter capacity matches the parameters 13-00.
- Reduce the carrier frequency (parameter 11-01) if the cable from the inverter to the motor is greater than 80 ft (25m). A high-frequency current can be generated by stray capacitance between the cables and result in an overcurrent trip of the inverter, an increase in leakage current, or an inaccurate current readout.
- Be sure to install all covers before turning on power. Do not remove any of the covers while power to the inverter is on, otherwise electric shock may occur.
- Do not operate switches with wet hands, otherwise electric shock may result.
- Do not touch inverter terminals when energized even if inverter has stopped, otherwise electric shock may result.

### 1.4 Parameters Setting



#### Caution

- Do not connect a load to the motor while performing a rotational auto-tune.
- Make sure the motor can freely run and there is sufficient space around the motor when performing a rotational auto-tune.

### 1.5 Operation



#### Warning

- Be sure to install all covers before turning on power. Do not remove any of the covers while power to the inverter is on, otherwise electric shock may occur.
  - Do not connect or disconnect the motor during operation. This will cause the inverter to trip and may cause damage to the inverter.
  - Operations may start suddenly if an alarm or fault is reset with a run command active. Confirm that no run command is active upon resetting the alarm or fault, otherwise accidents may occur.
  - Do not operate switches with wet hands, otherwise electric shock may result.
  - It provides an independent external hardware emergency switch, which emergently shuts down the inverter output in the case of danger.
  - If automatic restart after power recovery (parameter 07-00) is enabled, the inverter will start automatically after power is restored.
  - Make sure it is safe to operate the inverter and motor before performing a rotational auto-tune.
  - Do not touch inverter terminals when energized even if inverter has stopped, otherwise electric shock may result.
  - Do not check signals on circuit boards while the inverter is running.
- After the power is turned off, the cooling fan may continue to run for some time.



#### Caution

- Do not touch heat-generating components such as heat sinks and braking resistors.

- Carefully check the performance of motor or machine before operating at high speed, otherwise Injury may result.
- Note the parameter settings related to the braking unit when applicable.
- Do not use the inverter braking function for mechanical holding, otherwise injury may result.

Do not check signals on circuit boards while the inverter is running.

## 1.6 Maintenance, Inspection and Replacement

### Warning

- Wait a minimum of five minutes after power has been turned OFF before starting an inspection. Also confirm that the charge light is OFF and that the DC bus voltage has dropped below 25Vdc.
- Never touch high voltage terminals in the inverter.
- Make sure power to the inverter is disconnected before disassembling the inverter.
- Only authorized personnel should perform maintenance, inspection, and replacement operations. (Take off metal jewelry such as watches and rings and use insulated tools.)

### Caution

- The Inverter can be used in an environment with a temperature range from 14° ~104(140) °F (-10~+40(60)°C) and relative humidity of 95% non-condensing.
- The inverter must be operated in a dust, gas, mist and moisture free environment.

## 1.7 Disposal of the Inverter

### Caution

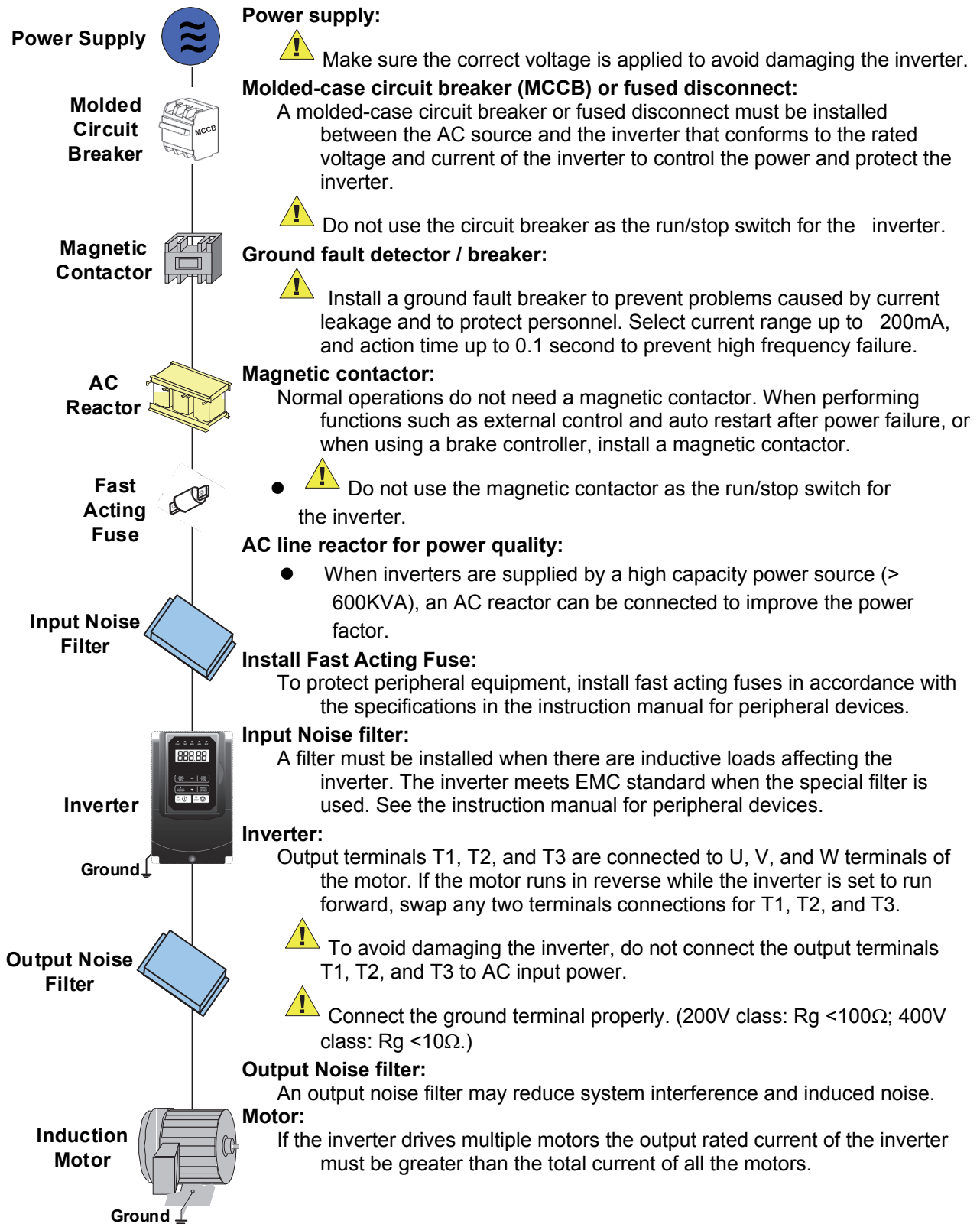
- Please dispose of this unit with care as an industrial waste and according to your required local regulations.
- The capacitors of inverter main circuit and printed circuit board are considered as hazardous waste and must not be burned.
- The Plastic enclosure and parts of the inverter such as the top cover board will release harmful gases if burned.



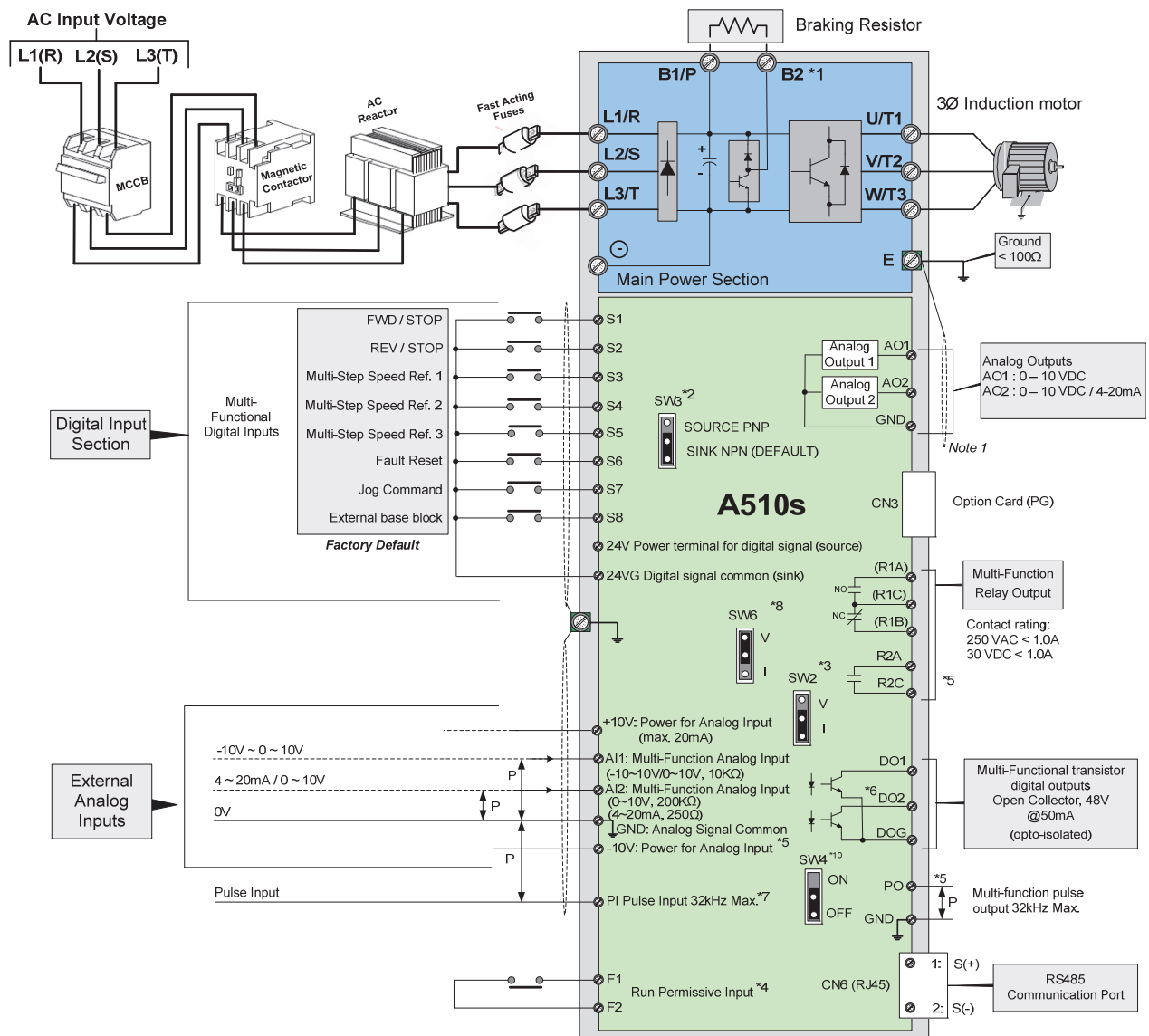
Equipment containing electrical components may not be disposed of together with domestic waste. It must be separately collected with electrical and electronic waste according to local and currently valid legislation.

# Chapter 2 Environment and Installation

## 2.1 System Diagram



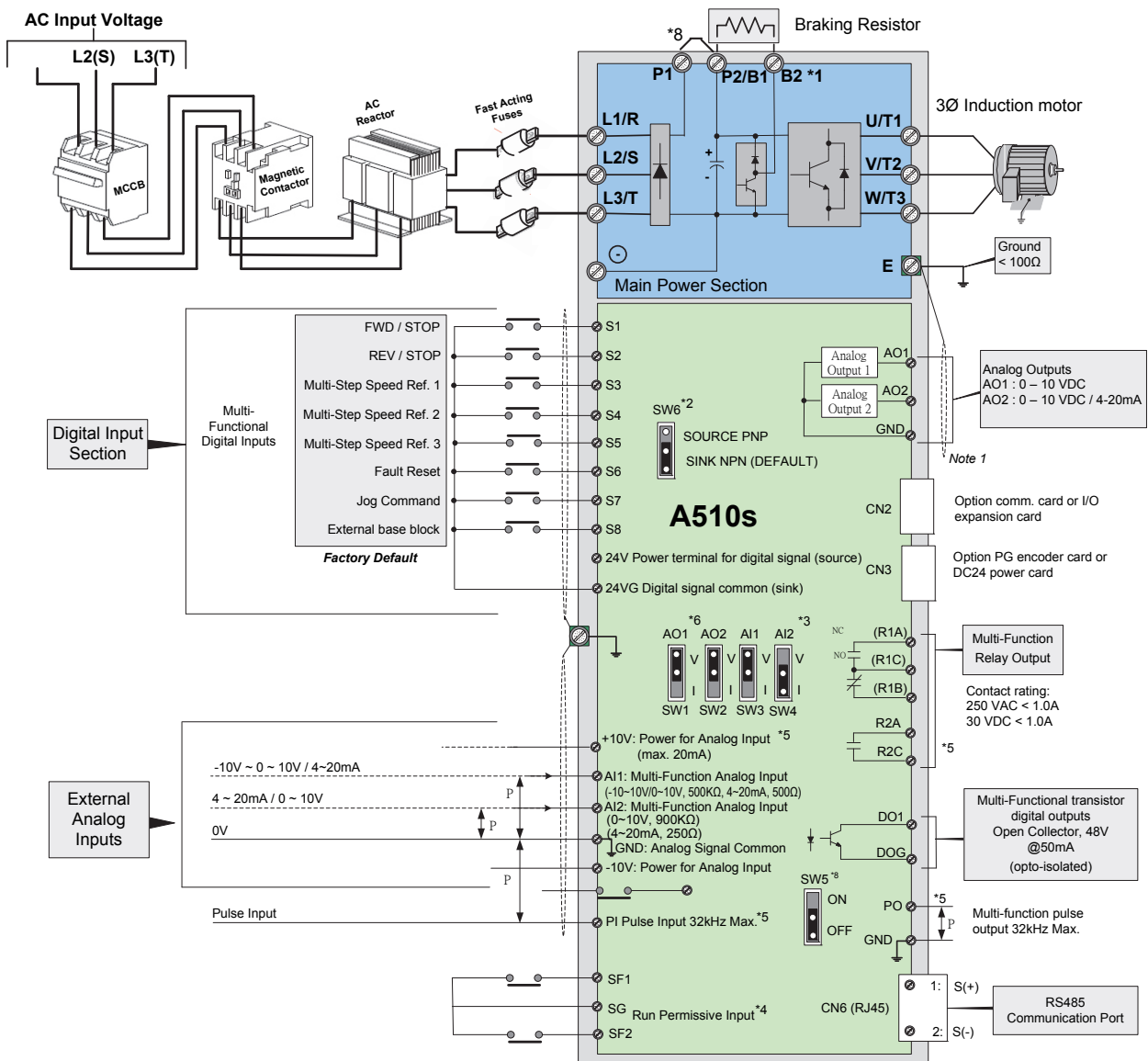
## 2.2 General Wiring Diagram (For Standard H & C type)



### Notes:

- \*1: Models 200V 1 ~ 25HP and 400V 1 ~ 40HP or lower ratings have a built-in braking transistor. To use this braking transistor a braking resistor can be connected between B1 and B2.
- \*2: Use SW3 to select between Sink (NPN, with 24VG common) or Source (PNP, with +24V common) for multi-function digital input terminals S1~S8.
- \*3: Use SW2 to switch between voltage (0~10V) and current (4~20mA) input for Multi-function analog input 2 (AI2). Besides please also check parameter 04-00 for proper setting.
- \*4: Run Permissive input F1 and F2 is a normally closed input. This input should be closed to enable the inverter output. To activate this input remove the jumper wire between F1 and F2.
- \*5: Models 200V 3HP and 400V 5HP and higher ratings include terminals -10V, S(+), S(-), R2A-R2C and PO-GND.
- \*6: 200V 2HP and 400V 3HP and lower ratings include terminal DO2.
- \*7: When using the open collector for pulse input, it doesn't need resistance because of built-in pull-up resistance.
- \*8: AO2 default setting is 0~+10V.
- \*9: Both 200V class 50HP~150HP and 400V class 100HP~425HP have built-in DC reactors.
- \*10: It need turn on the switch for the terminal resistor RS485 in the last inverter when many inverters in parallel connection.

## 2.3 General Wiring Diagram (For Enhanced E & G type)



### Notes:

- \*1: Models 200V 1 ~ 25HP and 400V 1 ~ 30HP or lower ratings have a built-in braking transistor. To use this braking transistor a braking resistor can be connected between B1 and B2.
- \*2: Use SW6 to select between Sink (NPN, with 24VG common) or Source (PNP, with +24V common) for multi-function digital input terminals S1~S8.
- \*3: Use SW3/SW4 to switch between voltage (0~10V) and current (4~20mA) input for Multi-function analog input 2 (AI2). Besides please also check parameter 04-00 for proper setting.
- \*4: Run Permissive input SF1 and SF2 is a normally closed input. This input should be closed to enable the inverter output. To activate this input remove the jumper wire between SF1/ SF2 and SG.
- \*5: When using the open collector for pulse input, it doesn't need resistance because of built-in pull-up resistance.
- \*6: AO1/AO2 default setting is 0~+10V.
- \*7: Both 200V class 50HP~150HP and 400V class 100HP~425HP have built-in DC reactors.
- \*8: It need turn on the switch for the terminal resistor RS485 in the last inverter when many inverters in parallel connection.
- \*9: Only the model 200V 3~40HP and 400V 5~75HP provide P1 and P2 terminal, for external DCL connected. P1 and P2 are short-circuited before shipping out from the factory.

## 2.4 General Power Terminals (For Standard H & C type)

Terminal	200V: 1 ~ 25HP 400V: 1 ~ 40HP 575V: 1 ~ 10HP 690V: 15 ~ 40HP	200V: 30 ~ 150HP 400V: 50 ~ 425HP 690V: 50 ~ 270HP
R/L1	Input Power Supply (For single phase use terminals R/L1 and S/L2)	
S/L2		
T/L3		
B1/P	B1/P – B2: external braking resistor	-
B2		⊕ -⊖: DC power supply
⊖	-	
⊕	-	
U/T1	Inverter output	
V/T2		
W/T3		
E	Ground terminal	

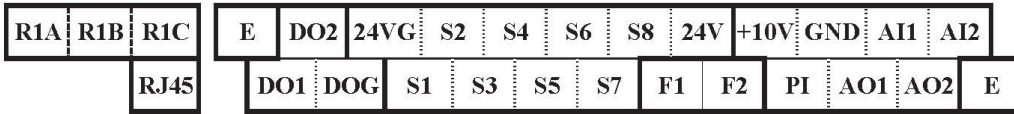
## 2.5 General Power Terminals (For Enhanced E & G type)

Terminal	200V: 1 ~ 30HP 400V: 1 ~ 75HP	200V: 40 ~ 150HP 400V: 100 ~ 425HP
R/L1	Input Power Supply (For single phase use terminals R/L1 and S/L2)	
S/L2		
T/L3		
P1	P2/B1 – B2: external braking resistor	-
P2/B1		⊕ -⊖: DC power supply
B2	P1 – P2/B1: external DCL (For frame 2~5)	
⊖	-	
⊕	-	
U/T1	Inverter output	
V/T2		
W/T3		
E	Ground terminal	

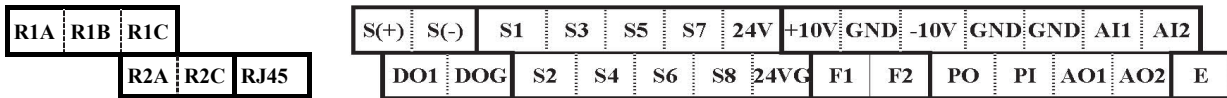


## 2.6 User (Control) Terminals (For Standard H & C type)

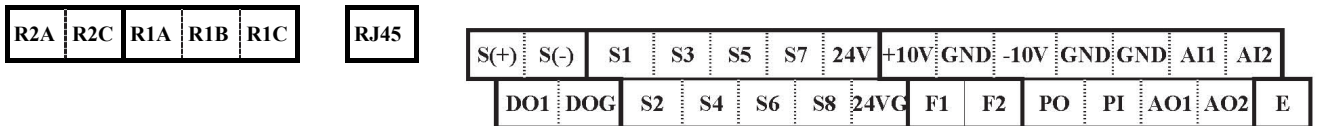
200V: 1 ~ 2 HP, 400V: 1 ~ 3HP



200V: 3 ~ 40 HP, 400V: 5 ~ 75HP, 575V:1~10HP, 690V: 15~75HP



200V: 50 ~ 150 HP, 400V: 100 ~ 425HP, 690V: 100~270HP



### Description of User

#### Terminals

Type	Terminal	Terminal Function	Signal Level / Information
Digital input signal	S1	2-wire forward/ stop (default) *1	Signal Level 24 VDC (photo isolated) Maximum current: 8mA Maximum voltage: 30 Vdc Input impedance: 4.22kΩ
	S2	2-wire reversal/ stop (default) *1	
	S3	Multi-speed/ position setting command 1 (default) *1	
	S4	Multi-speed/ position setting command 2 (default) *1	
	S5	Multi-speed/ position setting command 3 (default) *1	
	S6	Fault reset (default) *1	
	S7	JOG frequency command (default) *1	
	S8	External B.B.(Base Block) stop (coast to stop) (default) *1	
24V Power supply	24V	Digital signal SOURCE point (SW3 switched to SOURCE )	±15%, Max. output current: 250mA (The sum of all loads connected )
	24VG	Common terminal of Digital signals Common point of digital signal SINK ( SW3 switched to SINK )	
Analog input signal	+10V	Power for external speed potentiometer	+10V (Max. current , 20mA)
	-10V	Only above 200V 3HP/ 400V 5HP (include) support this terminal function	-10V (Max. current , 20mA)
	AI1	Multi-function analog input for speed reference (0-10V input)/(-10V~10V input)	From 0 to +10V, From -10V to +10V Input impedance : 20KΩ Resolution: 11bit + 1
	AI2	Multi-function analog input terminals *2, can use SW2 to switch voltage or current input (0~10V)/(4-20mA)	From 0 to +10V, From -10V to +10V Input impedance: 200KΩ From 4 to 20 mA Input impedance: 250KΩ Resolution: 11bit + 1
		GND	Analog signal ground terminal
	E	Shielding wire's connecting terminal (Ground)	----
Analog output	AO1	Multi-function analog output terminals *2 (0~10V output)	From 0 to 10V, From 4 to 20mA

Type	Terminal	Terminal Function	Signal Level / Information
signal	<b>AO2</b>	Multi-function analog output terminals *2. can use SW6 to switch voltage or current input (0~10V / 4-20mA output)	(Load < 500Ω) PWM Frequency: 10KHz
	<b>GND</b>	Analog signals ground terminal	
Pulse output signal	<b>PO</b>	Pulse output, Band width 32KHz, only above 200V 3HP/ 400V 5HP (include) support this terminal function.	Max. Frequency: 32KHz Open Collector output
	<b>GND</b>	Analog signals ground terminal	----
Pulse input signal	<b>PI</b>	Pulse command input, Bandwidth: 32KHz	L: from 0.0 to 0.5V H: from 4.0 to 13.2V Max. Frequency: 0 - 32KHz Built-in pull-up resistance. When open collector input is used, it is not required to connect resistance.
	<b>GND</b>	Analog signals ground terminal	----
Digital output	<b>DO1</b>	Multi-function(open collector transistor) output *1	48Vdc, 2mA ~50mA Open-collector output
	<b>DO2</b>		
	<b>DOG</b>	Open collector transistor digital ground	
Relay output	<b>R1A</b>	Relay A contact (multi-function output terminal)	Rating: 250Vac, 10 mA ~ 1A 30Vdc, 10 mA ~ 1A
	<b>R1B</b>	Relay B contact (multi-function output terminal)	
	<b>R1C</b>	Relay contact common terminal, With the same functions as DO1/DO2	
	<b>R2A-R2C</b>	200V: 3HP above 400V: 5HP above	With the same functions as DO1/DO2
Run Permissive Input	<b>F1</b>	On: normal operation. Off: stop.	24Vdc, 8mA, pull-up
	<b>F2</b>	(Jumper wired between F1 and F2 has to be removed by using external contact to stop.)	24V Ground
RS-485 port	<b>S (+)</b>	RS485/ Modbus communication protocol	Differential input and output
	<b>S (-)</b>		
Grounding	<b>E (G)</b>	Grounding to earth Shield the connecting terminal	----

**Notes:**

\*1:Multi-function digital input/ output can be referred to in our instruction manual.

- Group 03: External Terminals Digital Input / Output Function Group.

\*2:Multi-function analog input/ output can be referred to in our instruction manual..

- Group 04 - External Terminal Analog Signal Input (Output) Function Group.

## 2.7 User (Control) Terminals (For Enhanced E & G type)

200V: 1 ~ 2 HP, 400V: 1 ~ 3HP

R1A	R1B	R1C	R2A	R2C	S(+)	S(-)	S1	S3	S5	S7	24V	24VG	+10V	-10V	GND	GND	AI1	AI2
RJ45				DO1	DOG	S2	S4	S6	S8	SF1	SG	SF2	PO	PI	AO1	AO2	E	

200V: 3 ~ 40 HP, 400V: 5 ~ 75HP

R1A	R1B	R1C	S(+)	S(-)	S1	S3	S5	S7	24V	24VG	+10V	-10V	GND	GND	AI1	AI2
R2A	R2C	RJ45	DO1	DOG	S2	S4	S6	S8	SF1	SG	SF2	PO	PI	AO1	AO2	E

200V: 50 ~ 150 HP, 400V: 100 ~ 425HP

R2A	R2C	R1A	R1B	R1C	RJ45	S(+)	S(-)	S1	S3	S5	S7	24V	24VG	+10V	-10V	GND	GND	AI1	AI2
					DO1	DOG	S2	S4	S6	S8	SF1	SG	SF2	PO	PI	AO1	AO2	E	

### Description of User Terminals

Type	Terminal	Terminal Function	Signal Level / Information
Digital input signal	S1	2-wire forward/ stop (default) *1	Signal Level 24 VDC (photo isolated) Maximum current: 8mA Maximum voltage: 30 Vdc Input impedance: 4.22kΩ
	S2	2-wire reversal/ stop (default) *1	
	S3	Multi-speed/ position setting command 1 (default) *1	
	S4	Multi-speed/ position setting command 2 (default) *1	
	S5	Multi-speed/ position setting command 3 (default) *1	
	S6	Fault reset (default) *1	
	S7	JOG frequency command (default) *1	
24V Power supply	24V	Digital signal SOURCE point (SW6 switched to SOURCE )	±15%, Max. output current: 250mA (The sum of all loads connected )
	24VG	Common terminal of Digital signals Common point of digital signal SINK ( SW6 switched to SINK )	
Analog input signal	+10V	Positive power for external speed potentiometer	+10V (Max. current , 20mA)
	-10V	Negative power for external speed potentiometer	-10V (Max. current , 20mA)
	AI1	Multi-function analog input terminals *2, can use SW3 to switch voltage or current input (-10V~10V)/(4-20mA)	From 0 to +10V, From -10V to +10V Input impedance : 500KΩ From 4 to 20 mA Input impedance : 500KΩ Resolution: 11bit + 1
	AI2	Multi-function analog input terminals *2, can use SW4 to switch voltage or current input (0~10V)/(4-20mA)	From 0 to +10V, Input impedance: 900KΩ From 4 to 20 mA Input impedance: 250Ω Resolution: 11bit + 1
	GND	Analog signal ground terminal	----
Analog output signal	E	Shielding wire's connecting terminal (Ground)	----
	AO1	Multi-function analog output terminals *2. can use SW1 to switch voltage or current input (0~10V / 4-20mA output)	From 0 to 10V, From 4 to 20mA (Load < 500Ω) PWM Frequency: 10KHz
AO2	Multi-function analog output terminals *2. can use SW2 to switch voltage or current input (0~10V / 4-20mA output)		

Type	Terminal	Terminal Function	Signal Level / Information
	<b>GND</b>	Analog signals ground terminal	
Pulse output signal	<b>PO</b>	Bandwidth: 32KHz	Max. Frequency: 32KHz Open Collector output
	<b>GND</b>	Analog signals ground terminal	----
Pulse input signal	<b>PI</b>	Pulse command input, Bandwidth: 32KHz	L: from 0.0 to 0.5V H: from 4.0 to 13.2V Max. Frequency: 0 - 32KHz Built-in pull-up resistance. When open collector input is used, it is not required to connect resistance.
	<b>GND</b>	Analog signals ground terminal	----
Digital output	<b>DO1</b>	Multi-function(open collector transistor) output *1	48Vdc, 2mA ~50mA Open-collector output
	<b>DOG</b>	Open collector transistor digital ground	
Relay output	<b>R1A</b>	Relay A contact (multi-function output terminal)	Rating: 250Vac, 10 mA ~ 1A 30Vdc, 10 mA ~ 1A
	<b>R1B</b>	Relay B contact (multi-function output terminal)	
	<b>R1C</b>	Relay contact common terminal, With the same functions as DO1	
	<b>R2A-R2C</b>	Relay A contact (multi-function output terminal) Relay B contact (multi-function output terminal) Relay contact common terminal, With the same functions as DO1	
Run Permissive Input	<b>SF1</b> <b>SF2</b>	On: normal operation. Off: stop. (Jumper wired between SF1/ SF2 and SG has to be removed by using external contact to stop.)	24Vdc, 8mA, pull-up
	<b>SG</b>	Safety command common terminal	
	RS-485 port	<b>S (+)</b> <b>S (-)</b>	RS485/ Modbus communication protocol
Grounding		<b>E (G)</b>	Grounding to earth Shield the connecting terminal


**Notes:**

\*1:Multi-function digital input/ output can be referred to in our instruction manual.

- Group 03: External Terminals Digital Input / Output Function Group.

\*2:Multi-function analog input/ output can be referred to in our instruction manual..

- Group 04 - External Terminal Analog Signal Input (Output) Function Group.

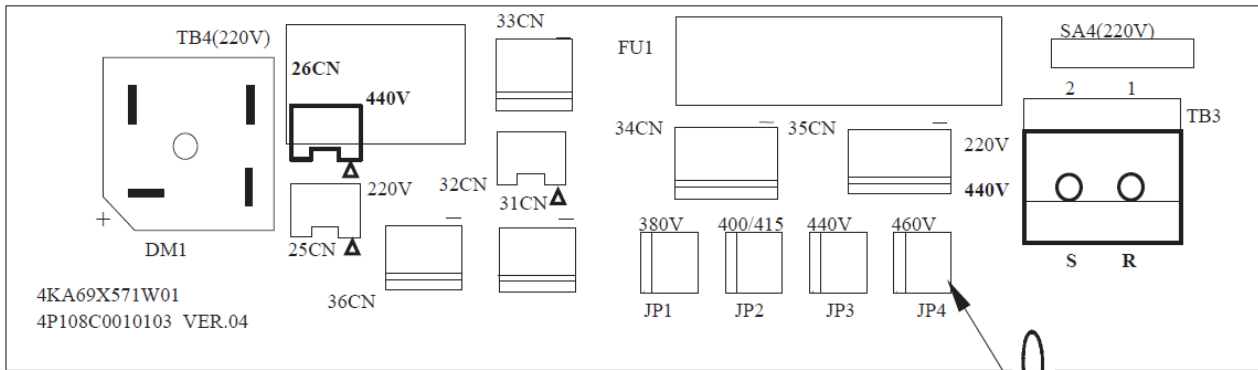
 **Caution**

- Maximum output current capacity for terminal 10V is 20mA.
- Multi-function analog output AO1 and AO2 are used for an analog output meter. Do not use these outputs for feedback control.
- Control board's 24V and ±10V are to be used for internal control only, Do not use the internal power-supply to power external devices.

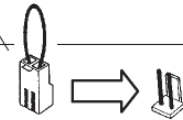
## 2.8 Cooling Fan Supply Voltage Selection (400V class)

The inverter input voltage range of the A510s 400V class models ranges from 380 to 480Vac. In these models the cooling fan is directly powered from the power supply. Inverter models A510s-4150/ 4175/ 4215/ 4270/ 4300/ 4375/ 4425 requires the user to select the correct jumper position based on the inverter input voltage ("440V" is the default position for these models). Please select the correct position according to the input voltage. If the voltage setting is too low, the cooling fan will not provide adequate cooling for the inverter resulting in an over-heat error. If the input voltage is greater than 460Vac, select the "460V" position.

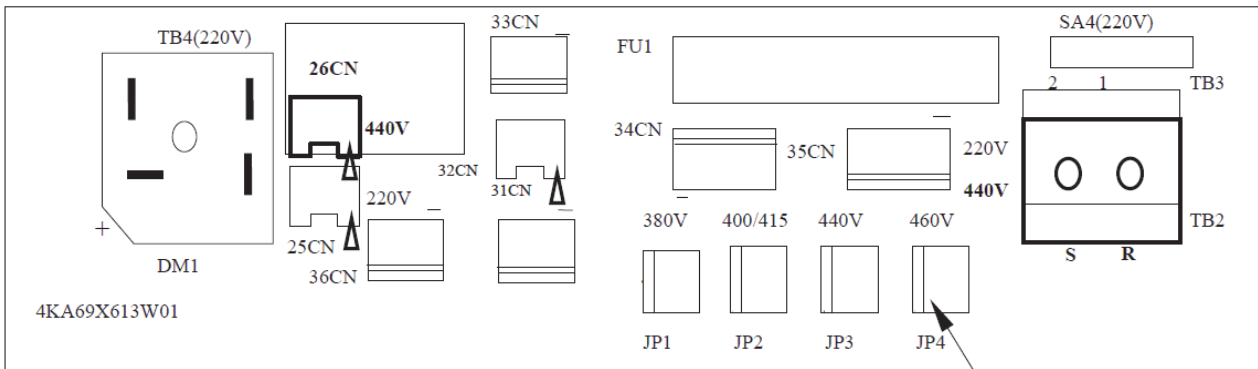
### (1) 400V : 150HP~215HP



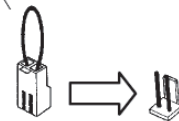
For example, input voltage is 460 Vac,  
jumper pin needs to put in "460V" position.



### (2) 400V : 270HP~425HP



For example, input voltage is 460 Vac,  
jumper pin needs to put in "460V" position.



## Chapter 3 Parameters

Parameter group	Group Name
Group 00	Basic Parameters
Group 01	V/F Control Parameters
Group 02	IM Motor Parameters
Group 03	External Digital Input and Output Parameters
Group 04	External Analog Input and Output Parameters
Group 05	Multi-Speed Parameters
Group 06	Automatic Program Operation Parameters
Group 07	Start /Stop Parameters
Group 08	Protection Parameters
Group 09	Communication Parameters
Group 10	PID Parameters
Group 11	Auxiliary Parameters
Group 12	Monitoring Parameters
Group 13	Maintenance Parameters
Group 14	PLC Parameters
Group 15	PLC Monitoring Parameters
Group 16	LCD Parameters
Group 17	Automatic Tuning Parameters
Group 18	Slip Compensation Parameters
Group 19	Wobble Frequency Parameters
Group 20	Speed Control Parameters
Group 21	Torque And Position Control Parameters
Group 22	PM Motor Parameters

Parameter Attribute		
*1	Parameters can be changed during run operation.	Note1: New added or modified parameters in software V1.02
*2	Reserved	Note2: New added or modified parameters in software V1.10
*3	Parameter will not reset to default during a factory reset (initialization).	Note3: New added or modified parameters in software V1.20
*4	Read-only parameter	Note4: New added or modified parameters in software V1.30
*5	Parameter will be displayed in being coupled with the option card.	Note5: New added or displayed parameters in software V1.30, when 00-32=8
*6	Parameter will be displayed only in LED keypad.	Note6: Parameter editing enable for V1.30 above
*7	Parameter will be displayed only in LCD keypad.	Note7: New added or modified parameters in software V1.41
*8	When 13-08 setting is changed, the value will be also changed.	Note8: New added or modified parameters in software V1.42
*9	For enhanced E type & G type only.	
*10	Only available after I/O expansion card installed	

Group 00: Basic Parameters				
Code	Parameter Name	Setting Range	Default	Attribute
00-00	Control Mode Selection	0: V/F	0	*3
		1: V/F+PG		
		2: SLV		
		3: SV		
		4: PMSV		
		5: PMSLV		
00-01	Motor's Rotation Direction	0: Forward	0	*1
		1: Reverse		
00-02	Main Run Command Source Selection	0: Keypad	1	
		1: External Terminal (Control Circuit)		
		2: Communication Control (RS-485)		
		3: PLC		
00-03	Alternative Run Command Selection	0: Keypad	0 (Note4)	
		1: External Terminal (Control Circuit)		
		2: Communication Control (RS-485)		
		3: PLC		
00-04	Language	0: English	0	*7
		1: Simplified Chinese		
		2: Traditional Chinese		
		3: Turkish		
00-05	Main Frequency Command Source Selection	0: Keypad	1	
		1: External Terminal (Analog 1)		
		2: Terminal Command UP/DOWN		
		3: Communication Control (RS-485)		
		4: Pulse Input		
		5: Reserved		
		6: RTC (Note8)		
		7: AI2 Auxiliary Frequency		
00-06	Alternative Frequency Source Selection	0: Keypad	0 (Note4)	
		1: External Terminal (Analog 1)		

Group 00: Basic Parameters				
Code	Parameter Name	Setting Range	Default	Attribute
		2: Terminal Command UP/DOWN		
		3: Communication Control (RS-485)		
		4: Pulse Input		
		5: Reserved		
		6: RTC (Note8)		
		7: AI2 Auxiliary Frequency		
		00-07		
1: Main frequency +Alternative Frequency				
00-08	Communication Frequency Command Range	0.00~599.00	0.00	
00-09	Communication Frequency Command Memory Selection	0: Don't save when power supply is off. (00-08)	0	
		1: Save when power is off. (00-08)		
00-10	Minimum frequency detection	0: Show warning if lower than minimum frequency	0	Note1
		1: Run as minimum frequency if lower than minimum frequency		
00-11	PID Lower Limit of Frequency Selection	0: PID Sleep Limit is Lower Limit of Frequency	0	
		1: PID Sleep Limit is 0Hz		
00-12	Upper Frequency limit	0.1~109.0	100.0	
00-13	Lower Frequency limit	0.0~109.0	0.0	
00-14	Acceleration Time 1	0.1~6000.0	*	*1
00-15	Deceleration Time 1	0.1~6000.0	*	*1
00-16	Acceleration Time 2	0.1~6000.0	*	*1
00-17	Deceleration Time 2	0.1~6000.0	*	*1

Group 00: Basic Parameters				
Code	Parameter Name	Setting Range	Default	Attribute
00-18	*Jog Frequency	0.00~599.00	6.00	*1
00-19	Jog Acceleration Time	0.1~0600.0	-	*1
00-20	Jog Deceleration Time	0.1~0600.0	-	*1
00-21	Acceleration time 3	0.1~6000.0	*	*1
00-22	Deceleration time 3	0.1~6000.0	*	*1
00-23	Acceleration time 4	0.1~6000.0	*	*1
00-24	Deceleration time 4	0.1~6000.0	*	*1
00-25	Switch-Over Frequency of Acc/Dec Time 1 and Time 4	0.00~599.00	0.0	
00-26	Emergency Stop Time	0.1~6000.0	5.0	
00-27	HD/ND Mode Selection ***	0: HD (Heavy Duty Mode) 1: ND (Normal Duty Mode)	0	*3
00-28	Command Characteristic selection of master frequency	0: Positive Characteristic (0~10V/4~20mA is corresponding to 0~100%) 1: Negative Characteristic (0~10V/4~20mA is corresponding to 100~0%)	0	
00-29	Zero-Speed Operation Selection	0: Operation Based on Frequency Command 1: Stop 2: Operation Based on the Lowest Frequency 3: Zero-Speed Operation	0	
00-30 00-31	Reserved			
00-32	Application Selection Presets**	0: General 1: Reserved 2: Conveyor 3: Exhaust Fan 4: Reserved 5: Compressor 6: Hoist** 7: Crane**	0	

Group 00: Basic Parameters				
Code	Parameter Name	Setting Range	Default	Attribute
		8: Manual Pulse Generator (MPG) (Note4)		
00-33	Modified Parameters (only for LCD keypad)	0: Disable 1: Enable	0	*7
00-34 ~ 00-40	Reserved			
00-41	User parameter 0	Set 13-06 = 1, start user parameter. The setting range is 00-01 ~22-31, but except 00-41~00-56 and group 17 (only for LCD keypad)	00-41	*7
00-42	User parameter 1		00-42	*7
00-43	User parameter 2		00-43	*7
00-44	User parameter 3		00-44	*7
00-45	User parameter 4		00-45	*7
00-46	User parameter 5		00-46	*7
00-47	User parameter 6		00-47	*7
00-48	User parameter 7		00-48	*7
00-49	User parameter 8		00-49	*7
00-50	User parameter 9		00-50	*7
00-51	User parameter 10		00-51	*7
00-52	User parameter 11		00-52	*7
00-53	User parameter 12		00-53	*7
00-54	User parameter 13		00-54	*7
00-55	User parameter 14		00-55	*7
00-56	User parameter 15		00-56	*7
00-57	SV High Speed Mode	0: SV High Speed Mode1 1: SV High Speed Mode2	0	

\*: Refer to the attachment 1 in our instruction manual.

\*\*: Before to set up 00-32 Application, it should do initialized setting (parameter 13-08) first. When setting 00-32, the I/O port function changed automatically. To avoid accident, be sure to confirm the I/O port signal of inverter and external terminal control.

\*\*\* If parameter 00-27 is set to ND mode, group 02 motor 1 parameter will automatically adjust to more than 1 class of it.



If parameter 00-27 is set to HD mode, group 02 motor 1 parameter will automatically adjust to the same class of it.

It is suggested that parameter 00-27 be set first before motor performs auto-tuning because the parameter will make the motor parameter automatically be changed.

\*\*\*\*\* If the maximum output frequency of motor is over 300HZ, the frequency resolution is changed to 0.1Hz.

Group 01: V/F Control Parameters				
Code	Parameter Name	Setting Range	Default	Attribute
01-00	V/F Curve Selection	0~FF	F	*3
01-01	Reserved			
01-02	Maximum Output Frequency of Motor 1	4.8~599.0	50.0/60.0	*8
01-03	Maximum Output Voltage of Motor 1	200V: 0.1~255.0	-	*8
		400V: 0.2~510.0	-	
		575V: 0.1~670.0	-	
		690V: 0.1~804.0	-	
01-04	Middle Output Frequency 2 of Motor 1	0.0~599.0	0.0	
01-05	Middle Output Voltage 2 of Motor 1	200V: 0.0~255.0	0.0	*8
		400V: 0.0~510.0		
		575V: 0.0~670.0		
		690V: 0.0~804.0		
01-06	Middle Output Frequency 1 of Motor 1	0.0~599.0	3.0	
01-07	Middle Output Voltage 1 of Motor 1	200V: 0.0~255.0	*	*8
		400V: 0.0~510.0		
		575V: 0.0~670.0		
		690V: 0.0~804.0		
01-08	Minimum Output Frequency of Motor 1	0.0~599.0	VF:1.5	
			VF+PG:1.5	
			SLV: 0.6	
			SV:0.1	
			PMSV:0.1	
PMSLV:9.0				
SLV2: 1.0				
01-09	Minimum Output Voltage of Motor 1	200V: 0.0~255.0	7.5	*8
		400V: 0.0~510.0	15.0	
		575V: 0.0~670.0		
		690V: 0.0~804.0		
01-10	Torque Compensation Gain	0.0~2.0	0.5	*1
01-11	Selection of Torque Compensation Mode 0	0: Torque Compensation 1: Torque Compensation	0	
	Selection of Torque Compensation Mode 1			

Group 01: V/F Control Parameters				
Code	Parameter Name	Setting Range	Default	Attribute
		Mode 1		
01-12	Base Frequency of Motor 1	4.8~599.0	50.0/60.0	*8
01-13	Base Output Voltage of Motor 1	200V: 0.0~255.0	-	*8
		400V: 0.0~510.0	-	
		575V: 0.0~670.0	-	
		690V: 0.0~804.0	-	
01-14	Input Voltage Setting	200V: 155.0~255.0	-	*8
		400V: 310.0~510.0	-	
		575V: 540.0~670.0	-	
		690V: 648.0~804.0	-	
01-15	Torque Compensation Time	0~10000	200	
01-16	Maximum Output Frequency of Motor 2	4.8~599.0	50.0/60.0	*8
01-17	Maximum Output Voltage of Motor 2	200V: 0.1~255.0	-	*8
		400V: 0.2~510.0	-	
		575V: 0.1~670.0	-	
		690V: 0.1~804.0	-	
01-18	Middle Output Frequency 2 of Motor 2	0.0~599.0	0.0	
01-19	Middle Output Voltage 2 of Motor 2	200V: 0.0~255.0	0.0	
		400V: 0.0~510.0		
		575V: 0.0~670.0		
		690V: 0.0~804.0		
01-20	Middle Output Frequency 1 of Motor 2	0.0~599.0	3.0	
01-21	Middle Output Voltage 1 of Motor 2	200V: 0.0~255.0	KVA	
		400V: 0.0~510.0		
		575V: 0.0~670.0		
		690V: 0.0~804.0		
01-22	Minimum Output Frequency of Motor 2	0.0~599.0	1.5	
01-23	Minimum Output Voltage of Motor 2	200V: 0.0~255.0	KVA	
		400V: 0.0~510.0		
		575V: 0.0~670.0		
		690V: 0.0~804.0		
01-24	Base Frequency of Motor 2	4.8~599.0	50.0/60.0	*8
01-25	Base Output Voltage of Motor 2	200V: 0.0~255.0	-	*8
		400V: 0.0~510.0	-	
		575V: 0.0~670.0	-	
		690V: 0.0~804.0	-	
01-26	V/F Curve Selection of Motor 2	0~FF	F	*3

**KVA: The default value of this parameter will be changed by different capacities of inverter.**

Group 02: IM Motor Parameters				
Code	Parameter Name	Setting Range	Default	Attribute
02-00	No-Load Current of Motor1	0.01~600.00	-	
02-01	Rated Current of Motor1	Modes of V/F, V/F+PG are 10%~200% of inverter's rated current. Modes of SLV, SV are 25%~200% of inverter's rated current.	-	
02-02	Reserved			
02-03	Rated Rotation Speed of Motor1	0~60000	-	
02-04	Rated Voltage of Motor1	200V: 50.0~240.0	-	*8
		400V: 100.0~480.0	-	
		575V: 150.0~670.0	-	
		690V: 200.0~804.0	-	
02-05	Rated Power of Motor1	0.01~600.00	-	
02-06	Rated Frequency of Motor1	4.8~599.0	50.0/60.0	*8
02-07	Poles of Motor 1	2~16(Even)	4	
02-08	Reserved			
02-09	Excitation Current of Motor 1	15%~70% of Motor Rated Current	-	
02-10	Core Saturation Coefficient 1 of Motor 1	1~100	-	
02-11	Core Saturation Coefficient 2 of Motor 1	1~100	-	
02-12	Core Saturation Coefficient 3 of Motor 1	80~300	-	
02-13	Core loss of Motor 1	0.0~15.0	-	
02-14	Reserved			
02-15	Resistance between Wires of Motor 1	0.001~60.000	-	
02-16 ~ 02-18	Reserved			
02-19	No-Load Voltage of Motor 1	200V: 50~240	-	
		400V: 100~480	-	
		575V: 420~600	-	
		690V: 504~720	-	

Group 02: IM Motor Parameters				
Code	Parameter Name	Setting Range	Default	Attribute
02-20	No-Load Current of Motor 2	0.01~600.00	-	
02-21	Rated Current of Motor 2	10%~200% of inverter's rated current	-	
02-22	Rated Rotation Speed of Motor 2	0~60000	-	
02-23	Rated Voltage of Motor 2	200V: 50.0~240.0	-	*8
		400V: 100.0~480.0	-	
		575V: 150.0~670.0	-	
		690V: 200.0~804.0	-	
02-24	Rated Power of Motor 2	0.01~600.00	-	
02-25	Rated Frequency of Motor 2	4.8~599.0	50.0/60.0	*8
02-26	Poles of Motor 2	2~16 (Even)	4	
02-27 ~ 02-31	Reserved			
02-32	Resistance between Wires of Motor 2	0.001~60.000	-	
02-33	Proportion of Motor 1 Leakage Inductance	0.1~15.0	3.4	
02-34	Motor 1 Slip Frequency	0.10~20.00	1.00	
02-35 ~ 02-36	Reserved			
02-37	Motor Mechanical Loss	0.0~10.0	4.0	

Group 03: External Digital Input and Output Parameters				
Code	Parameter Name	Setting Range	Default	Attribute
03-00	Multi-Function Terminal Function Setting-S1	0: 2-Wire Sequence (ON: Forward Run Command)	0	
		1: 2-Wire Sequence (ON: Reverse Run Command)		
		2: Multi-Speed/Position Setting		

Group 03: External Digital Input and Output Parameters				
Code	Parameter Name	Setting Range	Default	Attribute
		Command 1		
		3: Multi-Speed/Position Setting Command 2		
		4: Multi-Speed/Position Setting Command 3		
		5: Multi-Speed/Position Setting Command 4		
		6: Forward Jog Run Command		
		7: Reverse Jog Run Command		
03-01	Multi-Function Terminal Function Setting-S2	8: UP Frequency Increasing Command	1	
		9: DOWN Frequency Decreasing Command		
		10: Acceleration/Deceleration Time Selection 1		
		11: Inhibit Acceleration/Deceleration Command		
		12: Main/Alternative Run Switch Function		
		13: Main/Alternative Frequency Switch Function		
03-02	Multi-Function Terminal Function Setting-S3	14: Emergency Stop (decelerate to zero and stop)	2	
		15: External Baseblock Command (rotation freely to stop)		
		16: PID Control Disable		
		17: Fault Reset (RESET)		
		18: Reserved		
		19: Speed Search 1 (from the maximum frequency)		
		20: Manual Energy Saving Function		

Group 03: External Digital Input and Output Parameters				
Code	Parameter Name	Setting Range	Default	Attribute
03-03	Multi-Function Terminal Function Setting-S4	21: PID Integral Reset	3	
		22~23 : Reserved		
		24: PLC Input		
		25: External Fault		
		26: 3-Wire Sequence (Forward/Reverse command)		
		27: Local/Remote Selection		
03-04	Multi-Function Terminal Function Setting-S5	28: Remote Mode Selection	4	
		29: Jog Frequency Selection		
		30: Acceleration/Deceleration Time Selection 2		
		31: Inverter Overheating Warning		
		32: Sync Command		
		33: DC Braking		
		34: Speed Search 2 (from the frequency command)		
		35: Timing Function Input		
03-05	Multi-Function Terminal Function Setting-S6	36: PID Soft Start Disable	17	
		37: Traversing Operation		
		38: Upper Deviation of Traverse Operation		
		39: Lower Deviation of Traverse Operation		
		40: Switching between Motor 1/Motor 2		
		41: PID Sleep		
03-06	Multi-Function Terminal Function Setting-S7	42: PG Disable	29*	
		43: PG Integral Reset		
		44: Mode Switching between Speed and Torque		
		45: Negative		

Group 03: External Digital Input and Output Parameters				
Code	Parameter Name	Setting Range	Default	Attribute
		Torque Command		
		46: Zero-Servo Command		
		47: Fire mode(Forced Operation mode)		
		48: KEB Acceleration		
		49: Parameters Writing Allowable		
		50: Unattended Start Protection (USP)		
		51: Mode Switching between Speed and Position		15
52: Multi Position Reference Enable				
53: 2-Wire Self Holding Mode (Stop Command)				
54: Reserved				
55: RTC Time Enable	Note8			
56: RTC Offset Enable	Note8			
57: Reserved				
58: Safety Function				
59~61: Reserved				
62: EPS Function				
63~64: Reserved				
65: Short-circuit braking	Note1			
66: PID Disabled 2	Note4			
67: Manual Pulse Generator Mode Switch	Note4			
68: External Fault 2	Note4			
69: External Overload	Note4			
03-08	(S1~S8) DI Scan Time	0: Scan Time 4ms 1: Scan Time 8ms	1	
03-09	Multi-Function Terminal S1-S4 Type Selection	xxx0b: S1 A Contact	0000b	
		xxx1b: S1 B Contact		
		xx0xb: S2 A Contact		
		xx1xb: S2 B Contact		
		x0xb: S3 A		

Group 03: External Digital Input and Output Parameters							
Code	Parameter Name	Setting Range	Default	Attribute			
		Contact x1xb: S3 B Contact					
		0xxb: S4 A Contact					
		1xxb: S4 B Contact					
03-10	Multi-Function Terminal S5-S8 Type Selection	xxx0b: S5 A Contact	0000b				
		xxx1b: S5 B Contact					
		xx0xb: S6 A Contact					
		xx1xb: S6 B Contact					
		x0xb: S7 A Contact					
		x1xb: S7 B Contact					
		0xxb: S8 A Contact					
1xxb: S8 B Contact							
03-11	Relay (R1A-R1C) Output	0: During Running	1 (Note4)				
		1: Fault Contact Output					
		2: Frequency Agree					
		3: Setting Frequency Agree					
		4: Frequency Detection 1 ( $\geq$ 03-13+03-14)					
		5: Frequency Detection 2 ( $\leq$ 03-13+03-14)					
		6: Automatic Restart					
		7~8: Reserved					
		9: Baseblock					
		10~11: Reserved					
		12: Over-Torque Detection					
		13: Current Agree					
		14: Mechanical Braking Control (03-17~18)					
		15~17: Reserved					
		18: PLC status					
		19: PLC Control Contact					
		03-12		Relay (R2A-	20: Zero Speed	0	

Group 03: External Digital Input and Output Parameters				
Code	Parameter Name	Setting Range	Default	Attribute
(Note)	R2C) Output	21: Inverter Ready	(Note4)	
		22: Under Voltage Detection		
		23: Source of Operation Command		
		24: Source of Frequency Command		
		25: Low Torque Detection		
		26: Frequency Reference Missing		
		27: Timing Function Output		
		28: Traverse Operation UP Status		
		29 : During Traverse Operation Status		
		30 : Motor 2 Selection		
		31 : Zero Speed Servo Status (Position Mode)		
		32: Communication Control Contacts		
		33: RTC Timer 1		Note8
		34: RTC Timer 2		Note8
		35: RTC Timer 3		Note8
		36: RTC Timer 4		Note8
		37: PID Feedback Loss Detection Output		
		38: Brake Release		
		39: Frequency Detection 1 (dedicated for Crane)		
		40: Frequency Output		
		41: Position Agree (Position Mode)		
		42~44: Reserved		
		45: PID sleep		
		46~49: Reserved		
		50: Frequency Detection 3 ( $\geq$ 03-44+03-45)		
		51: Frequency Detection 4 ( $\leq$		

Group 03: External Digital Input and Output Parameters				
Code	Parameter Name	Setting Range	Default	Attribute
		03-44+03-45)		
		52: Frequency Detection 5 ( $\geq$ 03-46+03-47)		
		53: Frequency Detection 6 ( $\leq$ 03-46+03-47)		
		54: Turn on short-circuit braking		Note1
		57: Low Current Detection		Note2
		58: Frequency Deceleration Detection		Note4
		59: Over-Temperature Detection		Note4
03-13	Frequency Detection Level	0.0~599.0	0.0	
03-14	Frequency Detection Width	0.1~25.5	2.0	
03-15	Current Agree Level	0.1~999.9	0.1	
03-16	Delay Time of Current Agree Detection	0.1~10.0	0.1	
03-17	**Mechanical Braking Release Level	0.00~599.00	0.00	
03-18	**Mechanical Braking Level Set	0.00~599.00	0.00	
03-19	Relay (R1-R4) Type	xxx0b: R1 A Contact xxx1b: R1 B Contact xx0xb: R2 A Contact xx1xb: R2 B Contact 0xxxb: R4 A Contact 1xxxb: R4 B Contact	0000b	*10
03-20	Relay (R4A-R4C) Output	Range and definition are the same as those of 03-11, 03-12	2	*10
03-21	Photo-coupler Output Selection (DO2-DOG)	Range and definition are the same as those of 03-11, 03-12	3	*10

Group 03: External Digital Input and Output Parameters				
Code	Parameter Name	Setting Range	Default	Attribute
03-22 ~ 03-26	Reserved			
03-27	UP/DOWN Frequency Hold/Adjust Selection	0: Hold last set frequency when stopped 1: Set frequency to 0 when stopped 2: Allow speed changes from last set frequency when stopped 3: Refresh frequency at acceleration.	0	
03-28	Photo-coupler Output (DO1-DOG)	Range and definition are the same as those of 03-11, 03-12	0	
03-29	Photo-coupler Output Selection (DO1-DOG) (DO2-DOG)	xxx0b: Photo-coupler 1 A Contact xxx1b: Photo-coupler B Contact xx0xb: Photo-coupler 2 A Contact xx1xb: Photo-coupler 2 B Contact	0000b	*10
03-30	Selection of Pulse Input	0: General Pulse Input 1: PWM	0	
03-31	Scale of Pulse Input	Depending on the setting of 03-30 03-30 = 0: 50~32000Hz 03-30 = 1: 10~1000Hz	1000	*1
03-32	Pulse Input Gain	0.0~1000.0	100	*1
03-33	Pulse Input Bias	-100.0~100.0	0.0	*1
03-34	Filter Time of Pulse Input	0.00~2.00	0.1	*1
03-35	Function Setting of Pulse Output	1: Frequency Command 2: Output Frequency 3: Output Frequency after Soft-Start 4: Motor Speed	2	*1

Group 03: External Digital Input and Output Parameters				
Code	Parameter Name	Setting Range	Default	Attribute
		5: PID Feedback 6: PID Input 7: PG Output (with PG card)		
03-36	Scale of Pulse Output	1~32000	1000	*1
03-37	Timer ON Delay (DIO)	0.0~6000.0	0.0	
03-38	Timer OFF Delay (DIO)	0.0~6000.0	0.0	
03-39	Reserved			
03-40	Up/Down Frequency Width Setting	0.00~5.00	0.00	
03-41	Torque Detection Level	0~150	10	
03-42	Brake Release Delay Time	0.00~65.00	0.00	
03-43	UP/DOWN Acceleration/Deceleration Selection	0: Acceleration/Deceleration Time 1 1: Acceleration/Deceleration Time 2	0	
03-44	Frequency Detection Level 2	0.0~599.0	0.0	
03-45	Frequency Detection Width 2	0.1~25.5	2.0	
03-46	Frequency Detection Level 3	0.0~599.0	0.0	
03-47	Frequency Detection Width 3	0.1~25.5	2.0	
03-48	Low Current Detection Level	0.0~999.9	0.1	Note2
03-49	Low Current Detection Delay Time	0.00~655.34 (Note4)	0.01	Note2
03-50	Frequency Detection Level 4	0.0~599.0	0.0	Note3
03-51	Frequency Detection Level 5	0.0~599.0	0.0	Note3
03-52	Frequency Detection Level 6	0.0~599.0	0.0	Note3
03-53	Current Agree Level 2	0.0~999.9	0.1	Note4

\* 2-wire operation mode: 29; 3-wire operation mode: 26.

\* \*If the maximum output frequency of motor is over 300HZ, the frequency resolution is changed to 0.1Hz  
 Note: For standard H & C type frame 1, the DO2 function is setting by 03-12.

Group 04: External Analog Input and Output Parameters				
Code	Parameter Name	Setting Range	Default	Attribute
04-00	AI Input Signal Type	0: AI1:0~10V AI2:0~10V	1	
		1: AI1:0~10V AI2:4~20mA		
		2: AI1: -10~10V AI2: 0~10V		
		3: AI1: -10~10V AI2: 4~20mA		
		4: AI1: 4~20mA AI2: 0~10V		
		5: AI1: 4~20mA AI2: 4~20mA		*9
04-01	AI1 Signal Scanning and Filtering Time	0.00~2.00	0.03	
04-02	AI1 Gain	0.0~1000.0	100.0	*1
04-03	AI1 Bias	-100.0~100.0	0	*1
04-04	Negative AI	0: Disable	0	Note4
		1: Enable		
04-05	AI2 Function Setting	0: Auxiliary Frequency	0	
		1: Frequency Reference Gain		
		2: Frequency Reference Bias		
		3: Output Voltage Bias		
		4: Coefficient of Acceleration and Deceleration Reduction		
		5: DC Braking Current		
		6: Over-Torque Detection Level		
		7: Stall Prevention Level During Running		
		8: Frequency Lower Limit		
		9: Jump Frequency 4		
		10: Added to AI1		
		11: Positive torque limit		
		12: Negative torque limit		
		13: Regenerative Torque Limit		
14: Positive /				

Group 04: External Analog Input and Output Parameters				
Code	Parameter Name	Setting Range	Default	Attribute
		Negative Torque Limit		
		15: Torque Reference/ Torque Limit (in Speed Control)		
		16: Torque Compensation		
		17: PTC Overheat Protection		
04-06	AI2 Signal Scanning and Filtering Time	0.00~2.00	0.03	
04-07	AI2 Gain	0.0~1000.0	100.0	*1
04-08	AI2 Bias	-100.0~100.0	0	*1
04-09	AI Input Signal Type of I/O card	0: AI3: 0~10V	0	*10
		1: AI3: -10~10V		
		2: AI3: 4~20mA		
04-10	AI3 Function Setting	Range and definition are the same as those of 04-05	10	*10
04-11	AO1 Function Setting	0: Output Frequency	0	
		1: Frequency Command		
		2: Output Voltage		
		3: DC Voltage		
		4: Output Current		
		5: Output Power		
		6: Motor Speed		
		7: Output Power Factor		
		8: AI1 Input		
		9: AI2 Input		
		10: Torque Command		
		11: q-axis Current		
		12: d-axis Current		
		13: Speed Deviation		
		14: Reserved		
		15: ASR Output		
		16: Reserved		
		17: q-axis Voltage		
		18: d-axis Voltage		
		19~20: Reserved		
		21: PID Input		

Group 04: External Analog Input and Output Parameters				
Code	Parameter Name	Setting Range	Default	Attribute
		22: PID Output		
		23: PID Target Value		
		24: PID Feedback Value		
		25: Output Frequency of the Soft Starter		
		26: PG Feedback		
		27: Reserved		
		28: Communication control		
04-12	AO1 Gain	0.0~1000.0	100.0	*1
04-13	AO1 Bias	-100.0~100.0	0	*1
04-14 04-15	Reserved			
04-16	AO2 Function Setting	Range and definition are the same as those of 04-11.	3	
04-17	AO2 Gain	0.0~1000.0	100.0	*1
04-18	AO2 Bias	-100.0~100.0	0	*1
04-19	AO Output Signal Type	0: AO1 0~10V AO2 0~10V	0	
		1: AO1 0~10V AO2 4~20mA		
		2: AO1 4~20mA AO2 0~10V		
		3: AO1 4~20mA AO2 4~20mA		
04-20	Filter Time of AO Signal Scan	0.00~0.50	0.00	*1
04-21	AI3 Signal Scanning and Filtering Time	0.00~2.00	0.03	*10
04-22	AI3 Gain	0.0~1000.0	100.0	*10
04-23	AI3 Bias	-100.0~100.0	0	*10

Group 05: Multi-Speed Parameters				
Code	Parameter Name	Setting Range	Default	Attribute
05-00	Acceleration and Deceleration Selection of Multi-Speed	0: Acceleration and deceleration time are set by 00-14 ~ 00-24	0	
		1: Acceleration and Deceleration Time are set by 05-17 ~ 05-48		
05-01	*Frequency Setting of Speed-Stage 0	0.00~599.00	5.00	*1

Group 05: Multi-Speed Parameters				
Code	Parameter Name	Setting Range	Default	Attribute
05-02	*Frequency Setting of Speed-Stage 1	0.00~599.00	5.00	*1
05-03	*Frequency Setting of Speed-Stage 2	0.00~599.00	10.00	*1
05-04	*Frequency Setting of Speed-Stage 3	0.00~599.00	20.00	*1
05-05	*Frequency Setting of Speed-Stage 4	0.00~599.00	30.00	*1
05-06	*Frequency Setting of Speed-Stage 5	0.00~599.00	40.00	*1
05-07	*Frequency Setting of Speed-Stage 6	0.00~599.00	50.00	*1
05-08	*Frequency Setting of Speed-Stage 7	0.00~599.00	50.00	*1
05-09	*Frequency Setting of Speed-Stage 8	0.00~599.00	5.00	*1
05-10	*Frequency Setting of Speed-Stage 9	0.00~599.00	5.00	*1
05-11	*Frequency Setting of Speed-Stage 10	0.00~599.00	5.00	*1
05-12	*Frequency Setting of Speed-Stage 11	0.00~599.00	5.00	*1
05-13	*Frequency Setting of Speed-Stage 12	0.00~599.00	5.00	*1
05-14	*Frequency Setting of Speed-Stage 13	0.00~599.00	5.00	*1
05-15	*Frequency Setting of Speed-Stage 14	0.00~599.00	5.00	*1
05-16	*Frequency Setting of Speed-Stage 15	0.00~599.00	5.00	*1
05-17	Acceleration Time Setting of Multi Speed 0	0.1~6000.0	10.0	
05-18	Deceleration Time Setting of Multi Speed 0	0.1~6000.0	10.0	
05-19	Acceleration Time Setting of Multi Speed 1	0.1~6000.0	10.0	
05-20	Deceleration	0.1~6000.0	10.0	



Group 05: Multi-Speed Parameters				
Code	Parameter Name	Setting Range	Default	Attribute
	Time Setting of Multi Speed 1			
05-21	Acceleration Time Setting of Multi Speed 2	0.1~6000.0	10.0	
05-22	Deceleration Time Setting of Multi Speed 2	0.1~6000.0	10.0	
05-23	Acceleration Time Setting of Multi Speed 3	0.1~6000.0	10.0	
05-24	Deceleration Time Setting of Multi Speed 3	0.1~6000.0	10.0	
05-25	Acceleration Time Setting of Multi Speed 4	0.1~6000.0	10.0	
05-26	Deceleration Time Setting of Multi Speed 4	0.1~6000.0	10.0	
05-27	Acceleration Time Setting of Multi Speed 5	0.1~6000.0	10.0	
05-28	Deceleration Time Setting of Multi Speed 5	0.1~6000.0	10.0	
05-29	Acceleration Time Setting of Multi Speed 6	0.1~6000.0	10.0	
05-30	Deceleration Time Setting of Multi Speed 6	0.1~6000.0	10.0	
05-31	Acceleration Time Setting of Multi Speed 7	0.1~6000.0	10.0	
05-32	Deceleration Time Setting of Multi Speed 7	0.1~6000.0	10.0	
05-33	Acceleration Time Setting of Multi Speed 8	0.1~6000.0	10.0	
05-34	Deceleration Time Setting of Multi Speed 8	0.1~6000.0	10.0	

Group 05: Multi-Speed Parameters				
Code	Parameter Name	Setting Range	Default	Attribute
05-35	Acceleration Time Setting of Multi Speed 9	0.1~6000.0	10.0	
05-36	Deceleration Time Setting of Multi Speed 9	0.1~6000.0	10.0	
05-37	Acceleration Time Setting of Multi Speed 10	0.1~6000.0	10.0	
05-38	Deceleration Time Setting of Multi Speed 10	0.1~6000.0	10.0	
05-39	Acceleration Time Setting of Multi Speed 11	0.1~6000.0	10.0	
05-40	Deceleration Time Setting of Multi Speed 11	0.1~6000.0	10.0	
05-41	Acceleration Time Setting of Multi Speed 12	0.1~6000.0	10.0	
05-42	Deceleration Time Setting of Multi Speed 12	0.1~6000.0	10.0	
05-43	Acceleration Time Setting of Multi Speed 13	0.1~6000.0	10.0	
05-44	Deceleration Time Setting of Multi Speed 13	0.1~6000.0	10.0	
05-45	Acceleration Time Setting of Multi Speed 14	0.1~6000.0	10.0	
05-46	Deceleration Time Setting of Multi Speed 14	0.1~6000.0	10.0	
05-47	Acceleration Time Setting of Multi Speed 15	0.1~6000.0	10.0	
05-48	Deceleration Time Setting of Multi Speed 15	0.1~6000.0	10.0	

\* If the maximum output frequency of motor is over 300HZ, the frequency resolution is changed to 0.1Hz

Group 06: Automatic Program Operation Parameters				
Code	Parameter Name	Setting Range	Default	Attribute
06-00	Automatic Operation Mode Selection	0: Disable	0	
		1: Execute a single cycle operation mode. Restart speed is based on the previous stopped speed.		
		2: Execute continuous cycle operation mode. Restart speed is based on the previous stopped speed.		
		3: After the completion of a single cycle, the on-going operation speed is based on the speed of the last stage. Restart speed is based on the previous stopped speed.		
		4: Execute a single cycle operation mode. Restart speed will be based on the speed of stage 0.		
		5: Execute continuous cycle operation mode. Restart speed will be based on the speed of stage 0.		
06-01	*Frequency Setting of Operation-Stage 1	0.00~599.00	5.00	*1
06-02	*Frequency Setting of Operation-Stage 2	0.00~599.00	10.00	*1
06-03	*Frequency Setting of Operation-Stage 3	0.00~599.00	20.00	*1
06-04	*Frequency Setting of Operation-Stage 4	0.00~599.00	30.00	*1

Group 06: Automatic Program Operation Parameters				
Code	Parameter Name	Setting Range	Default	Attribute
06-05	*Frequency Setting of Operation-Stage 5	0.00~599.00	40.00	*1
06-06	*Frequency Setting of Operation-Stage 6	0.00~599.00	50.00	*1
06-07	*Frequency Setting of Operation-Stage 7	0.00~599.00	50.00	*1
06-08	*Frequency Setting of Operation-Stage 8	0.00~599.00	5.00	*1
06-09	*Frequency Setting of Operation-Stage 9	0.00~599.00	5.00	*1
06-10	*Frequency Setting of Operation-Stage 10	0.00~599.00	5.00	*1
06-11	*Frequency Setting of Operation-Stage 11	0.00~599.00	5.00	*1
06-12	*Frequency Setting of Operation-Stage 12	0.00~599.00	5.00	*1
06-13	*Frequency Setting of Operation-Stage 13	0.00~599.00	5.00	*1
06-14	*Frequency Setting of Operation-Stage 14	0.00~599.00	5.00	*1
06-15	*Frequency Setting of Operation-Stage 15	0.00~599.00	5.00	*1
06-16	Operation Time Setting of Speed-Stage 0	0.0~6000.0	0.0	*1
06-17	Operation Time Setting of Speed-Stage 1	0.0~6000.0	0.0	*1
06-18	Operation Time Setting of Speed-Stage 2	0.0~6000.0	0.0	*1
06-19	Operation Time Setting	0.0~6000.0	0.0	*1

Group 06: Automatic Program Operation Parameters				
Code	Parameter Name	Setting Range	Default	Attribute
	of Speed-Stage 3			
06-20	Operation Time Setting of Speed-Stage 4	0.0~6000.0	0.0	*1
06-21	Operation Time Setting of Speed-Stage 5	0.0~6000.0	0.0	*1
06-22	Operation Time Setting of Speed-Stage 6	0.0~6000.0	0.0	*1
06-23	Operation Time Setting of Speed-Stage 7	0.0~6000.0	0.0	*1
06-24	Operation Time Setting of Speed-Stage 8	0.0~6000.0	0.0	*1
06-25	Operation Time Setting of Speed-Stage 9	0.0~6000.0	0.0	*1
06-26	Operation Time Setting of Speed-Stage 10	0.0~6000.0	0.0	*1
06-27	Operation Time Setting of Speed-Stage 11	0.0~6000.0	0.0	*1
06-28	Operation Time Setting of Speed-Stage 12	0.0~6000.0	0.0	*1
06-29	Operation Time Setting of Speed-Stage 13	0.0~6000.0	0.0	*1
06-30	Operation Time Setting of Speed-Stage 14	0.0~6000.0	0.0	*1
06-31	Operation Time Setting of Speed-Stage 15	0.0~6000.0	0.0	*1
06-32	Operation Direction Selection of Speed-Stage 0	0: Stop 1: Forward 2: Reverse	0	
06-33	Operation Direction Selection of Speed-Stage 1	0: Stop 1: Forward 2: Reverse	0	
06-34	Operation	0: Stop	0	

Group 06: Automatic Program Operation Parameters				
Code	Parameter Name	Setting Range	Default	Attribute
	Direction Selection of Speed-Stage 2	1: Forward 2: Reverse		
06-35	Operation Direction Selection of Speed-Stage 3	0: Stop 1: Forward 2: Reverse	0	
06-36	Operation Direction Selection of Speed-Stage 4	0: Stop 1: Forward 2: Reverse	0	
06-37	Operation Direction Selection of Speed-Stage 5	0: Stop 1: Forward 2: Reverse	0	
06-38	Operation Direction Selection of Speed-Stage 6	0: Stop 1: Forward 2: Reverse	0	
06-39	Operation Direction Selection of Speed-Stage 7	0: Stop 1: Forward 2: Reverse	0	
06-40	Operation Direction Selection of Speed-Stage 8	0: Stop 1: Forward 2: Reverse	0	
06-41	Operation Direction Selection of Speed-Stage 9	0: Stop 1: Forward 2: Reverse	0	
06-42	Operation Direction Selection of Speed-Stage 10	0: Stop 1: Forward 2: Reverse	0	
06-43	Operation Direction Selection of Speed-Stage 11	0: Stop 1: Forward 2: Reverse	0	
06-44	Operation Direction Selection of Speed-Stage 12	0: Stop 1: Forward 2: Reverse	0	
06-45	Operation Direction Selection of Speed-Stage 13	0: Stop 1: Forward 2: Reverse	0	
06-46	Operation Direction Selection of Speed-Stage 14	0: Stop 1: Forward 2: Reverse	0	
06-47	Operation Direction Selection of Speed-Stage 15	0: Stop 1: Forward 2: Reverse	0	

\* If the maximum output frequency of motor is over 300HZ, the frequency resolution is changed to 0.1Hz

Group 07: Start /Stop Parameters				
Code	Parameter Name	Setting Range	Default	Attribute
07-00	Momentary Power Loss/Fault Restart Selection	0: Disable	0	
		1: Enable		
07-01	Fault Auto-Restart Time	0~7200	0	
07-02	Number of Fault Auto-Restart Attempts	0~10	0	
07-03	Reserved			
07-04	Direct Start at Power on	0: When the external run command is enabled, direct start at power up	1	
		1: When the external run command is enabled, unable to direct start at power-up.		
07-05	Delay of Direct Start at Power on	1.0~300.0	3.5	
07-06	DC Injection Braking Starting Frequency	0.0~10.0	0.5	
07-07	DC Injection Braking Current	0~100	50	
07-08	DC Injection Braking Time at Stop	0.00~100.00	0.50	
07-09	Stop Mode Selection	0: Deceleration to Stop	0	
		1: Coast to Stop		
		2: DC Braking Stop in All Fields		
		3: Coast to Stop with Timer		
07-10 ~ 07-12	Reserved			
07-13	Low Voltage Detection Level	200V: 150~300	190	
		400V: 250~600	380	
		575V: 500~600	546	
		690V: 500~600	546	
07-14	Pre-excitation Time	0.00~10.00	2.00	
07-15	Pre-excitation Level	50~200	100	
07-16	DC Injection Braking Time at Start	0.00~100.00	0.00	

Group 07: Start /Stop Parameters				
Code	Parameter Name	Setting Range	Default	Attribute
07-17	Reserved			
07-18	Minimum Base block Time	0.1~5.0	-	
07-19	Direction-Detection Speed Search Operating Current	0~100	50	
07-20	Speed Search Operating Current	0~100	20	
07-21	Integral Time of Speed Searching	0.1~10.0	2.0	
07-22	Delay Time of Speed Searching	0.0~20.0	0.2	
07-23	Voltage Recovery Time	0.1~5.0	2.0	
07-24	Direction-Detection Speed Search Selection	0: Disable	1	
		1: Enable		
07-25	Low Voltage Detection Time	0.00~1.00	0.02	
07-26	Start-up Mode Selection of SLV Coast to Stop	0: Start with speed search	0	
		1: Normal start		
07-27	Start Selection after Fault during SLV Mode	0: Start with speed search	0	
		1: Normal start		
07-28	Start after External Base Block	0: Start with speed search	0	
		1: Normal start		
07-29	Run Command Selection at the Action of DC Braking	0: Not Allowable to Run	0	
		1: Allowable to Run		
07-30	Low Voltage Level Selection	0: Disable	0	
		1: Enable		
07-31	**Low Voltage Run Frequency	0.00~599.00	10.00	
07-32	Speed Search Mode Selection	0: Disable	0	
		1: Mode1: Execute a Speed Search at Power On		

Group 07: Start /Stop Parameters				
Code	Parameter Name	Setting Range	Default	Attribute
		2: Execute a Speed Search each time		
07-33	Start Frequency of Speed Search Selection	0: Maximum Output Frequency of Motor 1: Frequency Command	0	
07-34	Start short-circuit braking time	0.00~100.00	0.00	Note1
07-35	Stop Short-circuit braking time	0.00~100.00	0.50	Note1
07-36	Short-circuit braking current limited	0.0~200.0	100.0	Note1
07-37 ~ 07-41	Reserved			
07-42	Voltage Limit Gain	0.0~50.0	0	Note2
07-43	Short-circuit Braking Time of PM Speed Search	0.00~100.00	0.00	Note3
07-44	DC Braking Time of PM Speed Search	0.00~100.00	0.00	Note3
07-45	STP2 Function Selection	0: STP2 Enable 1: STP2 Disable	0	Note4
07-46	DC Injection Current Limit	0~150	100	Note5
07-47	PM Speed Switching Frequency Mode	0: Disabled 1: Mode 1 2: Mode 2	0	Note8

\*07-13 Low Voltage Detection Level, it is enable when  
 07-30 Low Voltage Level Selection set 0 (Enable) and lower frequency limit set to 250V.This application is for Emergency power supply (EPS)

\* \*If the maximum output frequency of motor is over 300HZ, the frequency resolution is changed to 0.1Hz

Group 08: Protection Parameters				
Code	Parameter Name	Setting Range	Default	Attribute
08-00	Stall Prevention Function	xxx0b: Stall prevention is enabled in acceleration.	0000b	
		xxx1b: Stall prevention is disabled in acceleration.		
		xx0xb: Stall prevention is enabled in deceleration.		
		xx1xb: Stall prevention is disabled in deceleration.		
		x0xxb: Stall prevention is enabled in operation		
		x1xxb: Stall prevention is disabled in operation		
		0xxxb: Stall prevention in operation is based on deceleration time of speed-stage 1.		
		1xxxb: Stall prevention in operation is based on deceleration time of speed-stage 2.		
08-01	Stall Prevention Level in Acceleration	20~200	HD:150 ND:120	
08-02	Stall Prevention Level in Deceleration	200V: 330V~410V	385V	
		400V: 660V~820V	770V	
		575V:900~1000	950V	
		690V:1080~1200	1140V	
08-03	Stall Prevention Level in Operation	30~200	HD:160 ND:120	
08-04	Reserved			
08-05	Selection for Motor Overload Protection (OL1)	xxx0b: Overload Protection is disabled.	0001b	
		xxx1b: Overload Protection is enabled.		
		xx0xb: Cold Start of Motor Overload		
		xx1xb: Hot Start of Motor Overload		
		x0xxb: Standard		

Group 08: Protection Parameters				
Code	Parameter Name	Setting Range	Default	Attribute
		Motor x1xxb: Inverter Duty Motor 0xxxb: Reserved 1xxxb: Reserved		
08-06	Start-up Mode of Overload Protection Operation (OL1)	0: Stop Output after Overload Protection 1: Continuous Operation after Overload Protection.	0	
08-07	Motor Overload (OL1) Protection Level	0: Motor Overload (OL1) Protection 0 1: Motor Overload (OL1) Protection 1 2: Motor Overload (OL1) Protection 2	0	Note2
08-08	Automatic Voltage Regulation (AVR)	0: Enable 1: Disable	0	
08-09	Selection of Input Phase Loss Protection	0: Disable 1: Enable	0	
08-10	Selection of Output Phase Loss Protection	0: Disable 1: Enable	0	
08-11 08-12	Reserved			
08-13	Selection of Over-Torque Detection	0: Over-Torque Detection is Disabled. 1: Start to Detect when Reaching the Set Frequency. 2: Start to Detect when the Operation is Begun.	0	
08-14	Selection of Over-Torque Operation	0: Deceleration to Stop when Over Torque is Detected. 1: Display Warning when Over Torque is Detected. Go on Operation. 2: Coast to Stop when Over Torque is Detected	0	

Group 08: Protection Parameters				
Code	Parameter Name	Setting Range	Default	Attribute
08-15	Level of Over-Torque Detection	0~300	150	
08-16	Time of Over-Torque Detection	0.0~10.0	0.1	
08-17	Selection of Low-Torque Detection	0: Low-Torque Detection is Disabled. 1: Start to Detect when Reaching the Set Frequency. 2: Start to Detect when the Operation is Begun.	0	
08-18	Selection of Low-Torque Operation	0: Deceleration to Stop when Low Torque is Detected. 1: Display Warning when Low Torque is Detected. Go on Operation. 2: Coast to Stop when Low Torque is Detected	0	
08-19	Level of Low-Torque Detection	0~300	30	
08-20	Time of Low-Torque Detection	0.0~10.0	0.1	
08-21	Limit of Stall Prevention in Acc over Base Speed	1~100	50	
08-22	Stall Prevention Detection Time in Operation	2~100	100	
08-23	Ground Fault (GF) Selection	0: Disable 1: Enable	0	
08-24	External Fault Operation Selection	0: Deceleration to Stop 1: Coast to Stop 2: Continuous Operation	0	
08-25	Detection Selection of External Fault	0: Immediately Detect when the Power is Supplied. 1: Start to Detect when the	0	

Group 08: Protection Parameters				
Code	Parameter Name	Setting Range	Default	Attribute
		Operation is Started.		
08-26 ~ 08-29	Reserved			
08-30	Run Permissive Function Selection	0: Deceleration to Stop 1: Coast to Stop	0	
08-31 ~ 08-34	Reserved			
08-35	Motor Overheating Fault Selection	0: Disable 1: Deceleration to Stop 2: Coast to Stop 3: Continue Running	0	
08-36	PTC Input Filter Time Constant	0.00 ~ 5.00	2.00	
08-37	Fan Control Function	0: Start in operation 1: Permanent Start 2: Start in high temperature (Note)	0	
08-38	Delay Time of Fan Off	0~600	60	
08-39	Delay Time of Motor Overheat Protection	1~300	60	
08-40	Motor2 Acceleration Stall Prevention Level	20~200	HD:150 ND:120	
08-41	Motor2 Acceleration Stall Prevention Limit	1~100	50	
08-42	PTC Protection Level	0.1~10.0V	0.7	
08-43	PTC Restart Level	0.1~10.0V	0.3	
08-44	PTC Warning Level	0.1~10.0V	0.5	
08-45	Reserved			
08-46	Temperature Agree Level	0~254°C	0	Note4
08-47	Temperature Reset Level	0~254°C	0	Note4
08-48	Selection of Fire Mode	0: Disable 1: Enable	0	Note4

Group 08: Protection Parameters				
Code	Parameter Name	Setting Range	Default	Attribute
08-49	Multi-Function Input Terminal Status of Fire Mode	0 : Reset after Power Off 1 : Reset after Terminal Removed	0	Note4
08-50	Multi-Function Terminal Status of Fire Mode	XXX0b: S6 A contact XXX1b: S6 B contact	0000b	Note4
08-51	Motor Speed Setting Source of Fire Mode	0 : Fire Mode Speed (08-52) 1 : PID Control 2 : AI2	0	Note4
08-52	Motor Speed of Fire Mode	0.00~100.00	100.00	Note4
08-53	PID Detection Level of Fire Mode	0~100	0	Note4
08-54	Delay Time of Fire Mode PID Loss	0.0~10.0	1.0	Note4
08-55	PID Feedback Loss Detection Selection of Fire Mode	0 : Keep Running 1 : Fire Mode Speed (08-52) 2 : Maximum Output Frequency (01-02)	1	Note4
08-56	Detection Level of Fire Mode AI2 Signal	0.0~100.0	80.0	Note4
08-57	Delay Time of Fire Mode AI2 Signal Loss	0.0~10.0	1.0	Note4
08-58	Selection of Fire Mode AI2 Signal Loss	0 : Keep Running 1: Fire Mode Speed (08-52) 2: Maximum Output Frequency (01-02)	1	Note4
08-59	Fire Mode Motor Direction	0: Forward 1: Reverse	0	Note4
08-60	Fire Mode Password	00000~65534	0	Note4

**Note: Models of 200V 50HP and 400V 100HP and above don't have this function.**

Group 09: Communication Parameters				
Code	Parameter Name	Setting Range	Default	Attribute
09-00	INV Communication Station Address	1~31	1	*3
09-01	Communication Mode Selection	0: MODBUS	0	*3
09-02	Baud Rate Setting (bps)	0: 1200	4	*3
		1: 2400		
		2: 4800		
		3: 9600		
		4: 19200		
5: 38400				
09-03	Stop Bit Selection	0: 1 Stop Bit	0	*3
		1: 2 Stop Bit		
09-04	Parity Selection	0: No Parity	0	*3
		1: Even Bit		
		2: Odd Bit		
09-05	Communication Data Bit Selection	0: 8 Bit Data	0	*3
		1: 7 Bit Data		
09-06	Communication Error Detection Time	0.0~25.5	0.0	*3
09-07	Fault Stop Selection	0: Deceleration to Stop Based on Deceleration Time 1 when Communication Fault Occurs.	3	*3
		1: Coast to Stop when Communication Fault Occurs.		
		2: Deceleration to Stop Based on Deceleration Time 2 when Communication Fault Occurs.		
		3: Keep Operating when Communication Fault Occurs.		
09-08	Comm. Fault Tolerance Count	1~20	1	*3
09-09	Waiting Time	5~65	5	*3
09-10	Reserved			

\*3: Parameter 09 does not be influenced by 13-08 (Restore Factory Setting)

Group 10: PID Parameters				
Code	Parameter Name	Setting Range	Default	Attribute
10-00	PID Target Value Source Setting	1: AI1 given	1	
		2: AI2 given		
		3: PI given		
		4: 10-02 given		
		5: Reserved		
		6: Frequency Command (00-05)		
10-01	PID Feedback Value Source Setting	1: AI1 given	2	
		2: AI2 given		
		3: PI given		
10-02	PID Target Value	0.00~100.00	0.00	*1
10-03	PID Control Mode	xxx0b: PID Disable	0000b	
		xxx1b: PID Enable		
		xx0xb: PID Positive Characteristic		
		xx1xb: PID Negative Characteristic		
		x0xxb: PID Error Value of D Control		
		x1xxb: PID Feedback Value of D Ctrl		
		0xxxb: PID Output		
1xxxb: PID Output + Frequency Command				
10-04	Feedback Gain	0.01~10.00	1.00	*1
10-05	Proportional Gain (P)	0.00~10.00	1.00	*1
10-06	Integral Time (I)	0.00~100.00	1.00	*1
10-07	Differential Time (D)	0.00~10.00	0.00	*1
10-08	AI1 Frequency Limit	0.00~599.00	0	Note2
10-09	PID Bias	-100.0~100.0	0	*1
10-10	PID Output Delay Time	0.00~10.00	0.00	*1
10-11	PID Feedback Loss Detection Selection	0: Disable	0	
		1: Warning		
		2: Fault		
10-12	PID Feedback Loss Det. Lev.	0~100	0	
10-13	PID Feedback Loss Det. Time	0.0~10.0	1.0	



Group 10: PID Parameters				
Code	Parameter Name	Setting Range	Default	Attribute
10-14	PID Integral Limit	0.0~100.0	100.0	*1
10-15	PID Trim Mode	0~2	0	Note2
10-16	PID Trim Scale	0~100	0	Note2
10-17	*Start Frequency of PID Sleep	0.00~599.00	0.00	
10-18	Delay Time of PID Sleep	0.0~255.5	0.0	
10-19	*Frequency of PID Waking up	0.00~599.00	0.00	
10-20	Delay Time of PID Waking up	0.0~255.5	0.0	
10-21 10-22	Reserved			
10-23	PID Output Limit	0.00~100.0	100.0	*1
10-24	PID Output Gain	0.0~25.0	1.0	
10-25	PID Reversal Output Selection	0: No Allowing Reversal Output 1: Allow Reversal Output	0	
10-26	PID Target Acceleration/Deceleration Time	0.0~25.5	0.0	
10-27	PID Feedback Display Bias	0~9999	0	
10-28	Reserved			
10-29	PID Sleep Selection	0: Disable 1: Enable 2: set by DI	1	
10-30	Upper Limit of PID Target	0.0 ~ 100.0	100.0	
10-31	Lower Limit of PID Target	0.0 ~ 100.0	0.0	
10-32	Reserved			
10-33	Maximum Value of PID Feedback	1 ~ 10000	999	
10-34	PID Decimal Width	0 ~ 4	1	
10-35	PID Unit	0: % 1: FPM 2: CFM 3: SPI 4: GPH 5: GPM 6: IN 7: FT 8: /s 9: /m 10: /h	0	*7

Group 10: PID Parameters				
Code	Parameter Name	Setting Range	Default	Attribute
		11: °F 12: inW 13: HP 14: m/s 15: MPM 16: CMM 17: W 18: KW 19: m 20: °C 21: RPM 22: Bar 23: Pa 24: KPa		
10-36	Proportional Gain 2 (P)	0.00~10.00	3.00	Note2
10-37	Integral Time 2 (I)	0.00~100.00	0.50	Note2
10-38	Differential Time 2 (D)	0.00~10.00	0.00	Note2
10-39	*Output Frequency Setting of PID Disconnection	00.00~599.00	30.00	
10-40	Selection of PID Sleep Compensation Frequency	0: Disable 1: Enable	0	
10-41	PID Mode Switch	0: General PID 1: D Type PID	0	Note2
10-42 ~ 10-46	Reserved			
10-47	Proportional Gain 3(P)	0.00~10.00	3.00	Note4
10-48	Integral Time 3(I)	0.00~100.00	0.50	Note4
10-49	Differential Time 3(D)	0.00~10.00	0.00	Note4

\* If the maximum output frequency of motor is over 300HZ, the frequency resolution is changed to 0.1Hz

Group 11: Auxiliary Parameters				
Code	Parameter Name	Setting Range	Default	Attribute
11-00	Direction Lock Selection	0: Allow Forward and Reverse Rotation	0	
		1: Only Allow Forward Rotation		
		2: Only Allow Reverse Rotation		
11-01	Carrier frequency	0: Carrier Output Frequency Tuning 1~16: 1~16KHz	*	*1
11-02	Soft PWM Function Selection	0: Disable	0	
		1: Soft PWM 1		
		2: Soft PWM 2		
11-03	Automatic carrier lowering selection	0: Disable	0	
		1: Enable		
11-04	S-curve Time Setting at the Start of Acceleration	0.00~2.50	0.20	
11-05	S-curve Time Setting at the Stop of Acceleration	0.00~2.50	0.20	
11-06	S-curve Time Setting at the Start of Deceleration	0.00~2.50	0.20	
11-07	S-curve Time Setting at the Stop of Deceleration	0.00~2.50	0.20	
11-08	Jump Frequency 1	0.0~599.0	0.0	
11-09	Jump Frequency 2	0.0~599.0	0.0	
11-10	Jump Frequency 3	0.0~599.0	0.0	
11-11	Jump Frequency Width	0.0~25.5	1.0	
11-12	Manual Energy Saving Gain	0~100	80	
11-13	Automatic Return Time	0~120	60	*1
11-14 ~ 11-17	Reserved			
11-18	Manual Energy Saving Frequency	0.0~599.0	0.00	
11-19	Automatic Energy Saving Function	0: Automatic energy saving is disabled.	0	

Group 11: Auxiliary Parameters				
Code	Parameter Name	Setting Range	Default	Attribute
		1: Automatic energy saving is enabled.		
11-20	Filter Time of Automatic Energy Saving	0~200	140	
11-21	Voltage Upper Limit of Energy Saving Tuning	0~100	100	
11-22	Adjustment Time of Automatic Energy Saving	0~5000	20	*1
11-23	Detection Level of Automatic Energy Saving	0~100	10	
11-24	Coefficient of Automatic Energy Saving	0.00~655.34 (Note4)	-	
11-25 ~ 11-27	Reserved			
11-28	Frequency Gain of Over Voltage Prevention 2	1~200	100	
11-29	Auto De-rating Selection	0: Disable	0	
		1: Enable		
11-30	Variable Carrier Frequency Max. Limit	2~16	-	
11-31	Variable Carrier Frequency Min. Limit	1~16	-	
11-32	Variable Carrier Frequency Proportional Gain	00~99	00	
11-33	DC Voltage Filter Rise Amount	0.1~10.0	0.1	*1
11-34	DC Voltage Filter Fall Amount	0.1~10.0	5.0	*1
11-35	DC Voltage Filter Dead band Level	0.0~99.0	10.0	*1
11-36	Frequency Gain of OV Prevention	0.000~1.000	0.050	*1
11-37	**Frequency Limit of OV Prevention	0.00~599.00	5.00	
11-38	Deceleration Start Voltage of OV Prevention	200V: 200~400V	300	
		400V: 400~800V	700	
		575V: 500~1000V	900	
		690V: 600~1200V	1080	
11-39	Deceleration Stop Voltage of	200V: 300~400V	350	
		400V: 600~800V	750	

Group 11: Auxiliary Parameters				
Code	Parameter Name	Setting Range	Default	Attribute
	OV Prevention	575V: 500~1000V 690V: 600~1200V	950 1140	
11-40	OV Prevention Selection	0: Disable 1: OV Prevention Mode 1 2: OV Prevention Mode 2 3: OV Prevention Mode 3	0	
11-41	Selection of Reference Frequency Disappearance Detection	0: Decelerate to Stop when Reference Frequency Disappears 1: Operation is set by Parameter 11-42 when Reference Frequency Disappears	0	
11-42	Disappearance Level of Reference Frequency	0.0~100.0	80.0	
11-43	Hold Frequency at Start	0.0~599.0	0.0	
11-44	Frequency Hold Time at Start	0.0~10.0	0.0	
11-45	Hold Frequency at Stop	0.0~599.0	0.0	
11-46	Frequency Hold Time at Stop	0.0~10.0	0.0	
11-47	KEB Deceleration Time	0.0~25.5	0.0	*1
11-48	KEB Detection Level	200V: 190~210 400V: 380~420 575V: 540~570 690V: 540~684	200 400 555 555	
11-49	Zero-servo Gain	0.01~5.00	1.00	
11-50	Zero-servo Count	0~4096	12	
11-51	Braking Selection of Zero Speed	0: Disable 1: Enable	0	
11-52	Droop Control Level	0.0~100.0%	0.0	*1
11-53	Droop Control Delay	0.01~2.00	0.2	*1
11-54	Initialization of Cumulative Energy	0: Do not Clear Cumulative Energy 1: Clear	0	*1

Group 11: Auxiliary Parameters				
Code	Parameter Name	Setting Range	Default	Attribute
		Cumulative Energy		
11-55	STOP Key Selection	0: Stop Key is Disabled when the Operation Command is not Provided by Operator. 1: Stop Key is Enabled when the Operation Command is not Provided by Operator.	1	
11-56	UP/DOWN Selection	0: When UP/DOWN in Keypad is Disabled, it will be Enabled if Pressing ENTER after Frequency Modification. 1: When UP/DOWN in Keypad is Enabled, it will be Enabled upon Frequency Modification.	0	
11-57	Reserved			
11-58	Record Reference Frequency	0: Disable 1: Enable	0	*1
11-59	Gain of Preventing Oscillation	0.00~2.50	*	
11-60	Upper Limit of Preventing Oscillation	0~100	*	
11-61	Time Parameter of Preventing Oscillation	0~100	0	
11-62	Selection of Preventing Oscillation	0: Mode1 1: Mode2 2: Mode3	1	
11-63	Strong Magnetic Selection	0: Disable 1: Enable	1	
11-64	Acceleration Speed Gain Adjustment	0.1~10.0	1.0	
11-65	Target Main Circuit Voltage	200V: 200V~400V 400V: 400V~800V 575V: 520V~1040V 690V: 624V~1248V	370 740 962 1154	


Group 11: Auxiliary Parameters				
Code	Parameter Name	Setting Range	Default	Attribute
11-66	2 Phase/ 3 Phase PWM Switch Frequency	6.00~60.00	20	Note2
11-67	Soft PWM 2 Frequency Range	0~12000	0	Note2
11-68	Soft PWM 2 Switch Frequency	6.00~60.00	20	Note2
11-69	Gain of Preventing Oscillation 3	0.00~200.00	5.00	Note1
11-70	Upper Limit of Preventing Oscillation 3	0.01~100.00	5.00	Note1
11-71	Time Parameter of Preventing Oscillation 3	0~30000	100	Note1
11-72	Gain of Preventing Oscillation for switch frequency 1	0.01~300.00	30.00	Note1
11-73	Gain of Preventing Oscillation for switch frequency 2	0.01~300.00	50.00	Note1
11-76	Droop Frequency Level 1	0.00~599.00	0.00	Note4
11-77	Droop Frequency Level 2	0.00~599.00	0.00	Note4
11-78	Droop Torque Offset Value	0.00~100.00	0.00	Note4

\*: Refer to the attachment 1 in our instruction manual..

\*\* If the maximum output frequency of motor is over 300HZ, the frequency resolution is changed to 0.1Hz

Note: The parameter of 11-01 can be changed during run operation, the range is 1~16KHz.

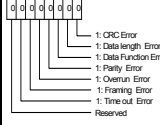
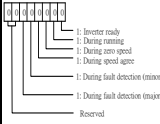
Group 12: Monitoring Parameters				
Code	Parameter Name	Setting Range	Default	Attribute
12-00	Display Screen Selection (LED)	00000~77777 From the leftmost bit, it displays the screen when press DSP key in order. 0:no display 1: Output Current	00321 (Note4)	1 *6

Group 12: Monitoring Parameters				
Code	Parameter Name	Setting Range	Default	Attribute
		2: Output Voltage 3: DC Bus Voltage 4: Heatsink Temperature* 5: PID Feedback 6: AI1 Value 7: AI2 Value		
12-01	PID Feedback Display Mode (LED)	0: Display the Feedback Value by Integer (xxx) 1: Display the Feedback Value by the Value with One Decimal Place (xx.x) 2: Display the Feedback Value by the Value with Two Decimal Places (x.xx)	0	*6
12-02	PID Feedback Display Unit Setting (LED)	0: xxxxx (no unit) 1: xxxPb (pressure) 2: xxxFL (flow)	0	*6
12-03	Line Speed Display (LED)	0~60000	1500/1800	*6
12-04	Modes of Line Speed Display (LED)	0: Display Inverter Output Frequency 1: Display Line Speed with integer (xxxxx) 2: Display Line Speed with the First Decimal Place (xxxx.x) 3: Display Line Speed with the Second Decimal Place (xxx.xx) 4: Display Line Speed with the Third Decimal Place (xx.xxx)	0	*1 *6
12-05	Status Display of Digital Input & Output Terminal (LED / LCD)	LED display is shown as below no input  correspondences to input and output	-	

Group 12: Monitoring Parameters				
Code	Parameter Name	Setting Range	Default	Attribute
		<p>LCD display is shown as below</p>		
12-06 ~ 12-10	Reserved			
12-11	Output Current of Current Fault	Display the output current of current fault	-	
12-12	Output Voltage of Current Fault	Display the output voltage of current fault	-	
12-13	Output Frequency of Current Fault	Display the output frequency of current fault	-	
12-14	DC Voltage of Current Fault	Display the DC voltage of current fault	-	
12-15	Frequency Command of Current Fault	Display the frequency command of current fault	-	
12-16	Frequency Command	If LED enters this parameter, it only allows monitoring frequency command.	-	
12-17	Output Frequency	Display the current output frequency	-	
12-18	Output Current	Display the current output current	-	
12-19	Output Voltage	Display the current output voltage	-	
12-20	DC Voltage (Vdc)	Display the current DC voltage	-	
12-21	Output Power (kw)	Display the current output power	-	

Group 12: Monitoring Parameters				
Code	Parameter Name	Setting Range	Default	Attribute
12-22	Motor's Rotation Speed (rpm)	Display motor's current rotation speed in VF/SLV mode Motor's rotation speed = output frequency x(120/motor's pole number) In PG/SV mode, motor's rotation speed is calculated by feedback frequency. Max limit is 65535	-	
12-23	Output Power Factor (Pfo)	Display the current output power factor	-	
12-24	Control Mode	Display control mode 0: VF 1: PG 2: SLV 3: SV 4: PSV 5: PMSLV 6: SLV2	-	
12-25	AI1 Input	Display the current AI1 input (-10V corresponds to -100%, 10V corresponds to 100%)	-	
12-26	AI2 Input	Display the current AI2 input (0V or 4mA corresponds to 0%, 10V or 20mA corresponds to 100%)	-	
12-27	Motor Torque	Display the current torque command (100% corresponds to motor torque )	-	
12-28	Motor Torque Current (Iq)	Display the current q-axis current	-	
12-29	Motor Excitation Current (Id)	Display the current d-axis current	-	
12-30	ASR Deviation	Display deviation of speed controller (speed command -	-	

Group 12: Monitoring Parameters				
Code	Parameter Name	Setting Range	Default	Attribute
		speed feedback) (100% corresponds to the maximum frequency set by 01-02 )		
12-31	Reserved			
12-32	ASR Output	Display output value of speed controller (100% corresponds to the maximum frequency set by 01-02)	-	
12-33	PG Feedback	Display feedback's speed value of speed controller (100% corresponds to the maximum frequency set by 01-02)	-	
12-34	PG Pulse Number	Display PG pulse number of speed controller	-	Note4
12-35	Zero-servo Pulse Number	When display SV position mode, the position error pulse number of the zero speed servo (the pulse number of a circle is four times of set values of 20-27)	-	
12-36	PID Input	Display input error of the PID controller (PID target value - PID feedback) (100% corresponds to the maximum frequency set by 01-02 or 01-16)	-	
12-37	PID Output	Display output of the PID controller (100% corresponds to the maximum frequency set by 01-02 or 01-16)	-	
12-38	PID Setting	Display the target value of the PID controller (100% corresponds to the maximum frequency set by 01-02 or 01-16)	-	

Group 12: Monitoring Parameters				
Code	Parameter Name	Setting Range	Default	Attribute
12-39	PID Feedback	Display the feedback value of the PID controller (100% corresponds to the maximum frequency set by 01-02 or 01-16)	-	
12-40	Reserved			
12-41	Heatsink Temperature*	Display the heatsink temperature of IGBT temperature**	*	
12-42	RS-485 Error Code		-	
12-43	Inverter Status		-	
12-44	Pulse Input Frequency	Display the frequency value of pulse input	-	
12-45	Recent Fault Message	Display current fault message	-	
12-46	Previous Fault Message	Display previous fault message	-	
12-47	Previous Two Fault Messages	Display previous two fault messages	-	
12-48	Previous Three Fault Messages	Display previous three fault messages	-	
12-49	Previous Four Fault Messages	Display previous four fault messages	-	
12-50	DIO Status of Current Fault	Display the DI/DO status of current fault Description is similar to 12-05	-	
12-51	Inverter Status of Current Fault	Display the inverter status of current fault Description is similar to 12-43	-	
12-52	Trip Time 1 of Current Fault	Display the operation time of current fault, 12-53 is the days, while 12-52 is the remaining	-	
12-53	Trip Time 2 of Current Fault		-	

Group 12: Monitoring Parameters				
Code	Parameter Name	Setting Range	Default	Attribute
		hours.		
12-54	Frequency Command of Previous Fault	Display frequency command of previous fault	-	
12-55	Output Frequency of Previous Fault	Display output frequency of previous fault	-	
12-56	Output Current of Previous Fault	Display output current of previous fault	-	
12-57	Output Voltage of Previous Fault	Display output voltage of previous fault	-	
12-58	DC Voltage of Previous Fault	Display DC voltage of previous fault	-	
12-59	DIO Status of Previous Fault	Display DI/DO status of previous fault Description is similar to 12-05	-	
12-60	Inverter Status of Previous Fault	Display inverter status of previous fault Description is similar to 12-43	-	
12-61	Trip Time 1 of Last Fault	Display the operation time of last time's fault, 12-62 is the days, while 12-61 is the remaining hours.	-	
12-62	Trip Time 2 of Last Fault		-	
12-63	Recent Warning Messages	Display the recent warning messages	-	
12-64	Previous Warning Message	Display the previous warning message	-	
12-65	Motor Start Angle	0~360	-	
12-66	Encoder Angle	0~360	-	
12-67	Cumulative Energy (KWHr)	0.0 ~ 999.9		
12-68	Cumulative Energy (MWHr)	0 ~ 60000		
12-69 ~ 12-71	Reserved			
12-72	RTC Date	12.01.01 ~ 99.12.31	12.01.01	Note8
12-73	RTC Time	00:00 ~ 23:59	00:00	Note8
12-76	No-Load Voltage Output	0.0~600.0	-	
12-77	Reserved			
12-78	Z-Phase Bias	-9999~9999	-	

Group 12: Monitoring Parameters				
Code	Parameter Name	Setting Range	Default	Attribute
	Value			
12-79	Pulse Input Percentage	0.0~100.0	-	
12-80	AI1 Frequency Command	0.0~599.0	0	Note2
12-81	Reserved			
12-82	Motor Load	0~200.0	-	Note4
12-85	AI3 Input	Display the current AI3 input (-10V corresponds to -100%, 10V corresponds to 100%)	-	*10

\*: Refer to the attachment 1 in our instruction manual.

\*\* A510s 200V 50HP (and the above) and 400V 100HP (and the above) don't support heatsink temperature display function.

Group 13: Maintenance Parameters				
Code	Parameter Name	Setting Range	Default	Attribute
13-00	Inverter Capacity Selection	----	-	*4
13-01	Software Version	0.00-9.99	-	*4
13-02	Clear Cumulative Operation Hours	0: Disable to Clear Cumulative Operation Hours	0	*1
		1: Clear Cumulative Operation Hours		
13-03	Cumulative Operation Hours 1	0~23	-	*4
13-04	Cumulative Operation Hours 2	0~65534 (Note4)	-	*4
13-05	Selection of Cumulative Operation Time	0: Cumulative time in power on	0	*1
		1: Cumulative time in operation		
13-06	Parameters Locked	0: Parameters are read-only except 13-06 and main frequency	2	*1
		1: User defined parameters		

Group 13: Maintenance Parameters				
Code	Parameter Name	Setting Range	Default	Attribute
		2: All Parameters are Writable		
13-07	Parameter Password Function	00000~65534	00000	Note2
13-08	Restore Factory Setting	0: No initialization	-	
		2: 2 wire initialization (60Hz)(220/440V/690V)		
		3: 3 wire initialization (60Hz)(220/440V/690V)		
		4: 2 wire initialization (50Hz)(230/415V)		
		5: 3 wire initialization (50Hz)(230/415V)		
		6: 2 wire initialization (50Hz)(200/380V/575V)		
		7: 3 wire initialization (50Hz)(200/380V/575V)		
		8: PLC initialization		
		9: 2 wire Initialization (60Hz)(230/460V)		
		10: 3 wire Initialization (60Hz)(230/460V)		
		11: 2 wire Initialization (60Hz)(230/400V)		
		12: 3 wire Initialization (60Hz)(230/400V)		
		13: 2 wire Initialization (50Hz)(230/400V)		
		14: 3 wire Initialization (50Hz)(230/400V)		
		15: 2 wire Initialization (50Hz)(220/380V) (Note4)		
		16: 3 wire Initialization (50Hz)(220/380V) (Note4)		
13-09	Fault History Clearance Function	0: No Clearing Fault History 1: Clear Fault History	0	*1
13-10	Parameter Password Function 2	0 ~ 9999	0	
13-11	C/B CPLD Ver.	0.00~9.99	-	
13-12	PG Card Id	0~255	0	*5

Group 13: Maintenance Parameters				
Code	Parameter Name	Setting Range	Default	Attribute
13-13	PG Card Ver.	0.00~9.99	-	*5
13-14	Fault Storage Selections	0: Fault Messages of Auto Restart are not saved.	0	
		1: Fault Messages of Auto Restart are saved.		
13-15 ~ 13-20	Reserved			
13-21	Last time Fault History	Exhibit Last time Fault History	-	Note1
13-22	Previous two Fault History	Exhibit Previous two Fault History	-	Note1
13-23	Previous three Fault History	Exhibit Previous three Fault History	-	Note1
13-24	Previous four Fault History	Exhibit Previous four Fault History	-	Note1
13-25	Previous five Fault History	Exhibit Previous five Fault History	-	Note1
13-26	Previous six Fault History	Exhibit Previous six Fault History	-	Note1
13-27	Previous seven Fault History	Exhibit Previous seven Fault History	-	Note1
13-28	Previous eight Fault History	Exhibit Previous eight Fault History	-	Note1
13-29	Previous night Fault History	Exhibit Previous night Fault History	-	Note1
13-30	Previous ten Fault History	Exhibit Previous ten Fault History	-	Note1
13-31	Previous eleven Fault History	Exhibit Previous eleven Fault History	-	Note1
13-32	Previous twelve Fault History	Exhibit Previous twelve Fault History	-	Note1
13-33	Previous thirteen Fault History	Exhibit Previous thirteen Fault History	-	Note1
13-34	Previous fourteen Fault History	Exhibit Previous fourteen Fault History	-	Note1
13-35	Previous fifteen	Exhibit	-	Note1



Group 13: Maintenance Parameters				
Code	Parameter Name	Setting Range	Default	Attribute
	Fault History	Previous fifteen Fault History		
13-36	Previous sixteen Fault History	Exhibit Previous sixteen Fault History	-	Note1
13-37	Previous seventeen Fault History	Exhibit Previous seventeen Fault History	-	Note1
13-38	Previous eighteen Fault History	Exhibit Previous eighteen Fault History	-	Note1
13-39	Previous nineteen Fault History	Exhibit Previous nineteen Fault History	-	Note1
13-40	Previous twenty Fault History	Exhibit Previous twenty Fault History	-	Note1
13-41	Previous twenty one Fault History	Exhibit Previous twenty one Fault History	-	Note1
13-42	Previous twenty two Fault History	Exhibit Previous twenty two Fault History	-	Note1
13-43	Previous twenty three Fault History	Exhibit Previous twenty three Fault History	-	Note1
13-44	Previous twenty four Fault History	Exhibit Previous twenty four Fault History	-	Note1
13-45	Previous twenty five Fault History	Exhibit Previous twenty five Fault History	-	Note1
13-46	Previous twenty six Fault History	Exhibit Previous twenty six Fault History	-	Note1
13-47	Previous twenty seven Fault History	Exhibit Previous twenty seven Fault History	-	Note1
13-48	Previous twenty eight Fault History	Exhibit Previous twenty eight Fault History	-	Note1
13-49	Previous twenty nine Fault History	Exhibit Previous twenty nine Fault History	-	Note1
13-50	Previous thirty	Exhibit	-	Note1

Group 13: Maintenance Parameters				
Code	Parameter Name	Setting Range	Default	Attribute
	Fault History	Previous thirty Fault History		

Note: Main frequency setting is 12-16 in LCD. It's equal to Frequency Setting of Speed-Stage 0 (05-01)

Group 14: PLC Setting Parameters				
Code	Parameter Name	Setting Range	Default	Attribute
14-00	T1 Set Value 1	0~9999	0	Note6
14-01	T1 Set Value 2 (Mode 7)	0~9999	0	Note6
14-02	T2 Set Value 1	0~9999	0	Note6
14-03	T2 Set Value 2 (Mode 7)	0~9999	0	Note6
14-04	T3 Set Value 1	0~9999	0	Note6
14-05	T3 Set Value 2 (Mode 7)	0~9999	0	Note6
14-06	T4 Set Value 1	0~9999	0	Note6
14-07	T4 Set Value 2 (Mode 7)	0~9999	0	Note6
14-08	T5 Set Value 1	0~9999	0	Note6
14-09	T5 Set Value 2 (Mode 7)	0~9999	0	Note6
14-10	T6 Set Value 1	0~9999	0	Note6
14-11	T6 Set Value 2 (Mode 7)	0~9999	0	Note6
14-12	T7 Set Value 1	0~9999	0	Note6
14-13	T7 Set Value 2 (Mode 7)	0~9999	0	Note6
14-14	T8 Set Value 1	0~9999	0	Note6
14-15	T8 Set Value 2 (Mode 7)	0~9999	0	Note6
14-16	C1 Set Value	0~65534 (Note4)	0	Note6
14-17	C2 Set Value	0~65534 (Note4)	0	Note6
14-18	C3 Set Value	0~65534 (Note4)	0	Note6
14-19	C4 Set Value	0~65534 (Note4)	0	Note6
14-20	C5 Set Value	0~65534 (Note4)	0	Note6
14-21	C6 Set Value	0~65534 (Note4)	0	Note6
14-22	C7 Set Value	0~65534 (Note4)	0	Note6
14-23	C8 Set Value	0~65534 (Note4)	0	Note6
14-24	AS1 Set Value 1	0~65534 (Note4)	0	Note6
14-25	AS1 Set Value 2	0~65534 (Note4)	0	Note6
14-26	AS1 Set Value 3	0~65534 (Note4)	0	Note6
14-27	AS2 Set Value 1	0~65534 (Note4)	0	Note6
14-28	AS2 Set Value 2	0~65534 (Note4)	0	Note6
14-29	AS2 Set Value 3	0~65534 (Note4)	0	Note6
14-30	AS3 Set Value 1	0~65534 (Note4)	0	Note6
14-31	AS3 Set Value 2	0~65534 (Note4)	0	Note6
14-32	AS3 Set Value 3	0~65534 (Note4)	0	Note6
14-33	AS4 Set Value 1	0~65534 (Note4)	0	Note6
14-34	AS4 Set Value 2	0~65534 (Note4)	0	Note6
14-35	AS4 Set Value 3	0~65534 (Note4)	0	Note6
14-36	MD1 Set Value 1	0~65534 (Note4)	1	Note6

Group 14: PLC Setting Parameters				
Code	Parameter Name	Setting Range	Default	Attribute
14-37	MD1 Set Value 2	0~65534 (Note4)	1	Note6
14-38	MD1 Set Value 3	0~65534 (Note4)	1	Note6
14-39	MD2 Set Value 1	0~65534 (Note4)	1	Note6
14-40	MD2 Set Value 2	0~65534 (Note4)	1	Note6
14-41	MD2 Set Value 3	0~65534 (Note4)	1	Note6
14-42	MD3 Set Value 1	0~65534 (Note4)	1	Note6
14-43	MD3 Set Value 2	0~65534 (Note4)	1	Note6
14-44	MD3 Set Value 3	0~65534 (Note4)	1	Note6
14-45	MD4 Set Value 1	0~65534 (Note4)	1	Note6
14-46	MD4 Set Value 2	0~65534 (Note4)	1	Note6
14-47	MD4 Set Value 3	0~65534 (Note4)	1	Note6

Group 15: PLC Monitoring Parameters				
Code	Parameter Name	Setting Range	Default	Attribute
	Value			
15-31	MD4 Current Value	0~65534 (Note4)	0	
15-32	TD Current Value	0~65534 (Note4)	0	

Group 15: PLC Monitoring Parameters				
Code	Parameter Name	Setting Range	Default	Attribute
15-00	T1 Current Value 1	0~9999	0	
15-01	T1 Current Value 2 (Mode7)	0~9999	0	
15-02	T2 Current Value 1	0~9999	0	
15-03	T2 Current Value 2 (Mode7)	0~9999	0	
15-04	T3 Current Value 1	0~9999	0	
15-05	T3 Current Value 2 (Mode7)	0~9999	0	
15-06	T4 Current Value 1	0~9999	0	
15-07	T4 Current Value 2 (Mode7)	0~9999	0	
15-08	T5 Current Value 1	0~9999	0	
15-09	T5 Current Value 2 (Mode7)	0~9999	0	
15-10	T6 Current Value 1	0~9999	0	
15-11	T6 Current Value 2 (Mode7)	0~9999	0	
15-12	T7 Current Value 1	0~9999	0	
15-13	T7 Current Value 2 (Mode7)	0~9999	0	
15-14	T8 Current Value 1	0~9999	0	
15-15	T8 Current Value 2 (Mode7)	0~9999	0	
15-16	C1 Current Value	0~65534 (Note4)	0	
15-17	C2 Current Value	0~65534 (Note4)	0	
15-18	C3 Current Value	0~65534 (Note4)	0	
15-19	C4 Current Value	0~65534 (Note4)	0	
15-20	C5 Current Value	0~65534 (Note4)	0	
15-21	C6 Current Value	0~65534 (Note4)	0	
15-22	C7 Current Value	0~65534 (Note4)	0	
15-23	C8 Current Value	0~65534 (Note4)	0	
15-24	AS1 Current Value	0~65534 (Note4)	0	
15-25	AS2 Current Value	0~65534 (Note4)	0	
15-26	AS3 Current Value	0~65534 (Note4)	0	
15-27	AS4 Current Value	0~65534 (Note4)	0	
15-28	MD1 Current Value	0~65534 (Note4)	0	
15-29	MD2 Current Value	0~65534 (Note4)	0	
15-30	MD3 Current	0~65534 (Note4)	0	

Group 16: LCD Function Parameters				
Code	Parameter Name	Setting Range	Default	Attribute
16-00	Main Screen Monitoring	5~82 (Note4) when using LCD to operate, the monitored item displays in the first line. (default is frequency command)	16	*1
16-01	Sub-Screen Monitoring 1	5~82 (Note4) when using LCD to operate, the monitored item displays in the second line. (default is output frequency)	17	*1
16-02	Sub-Screen Monitoring 2	5~82 (Note4) when using LCD to operate, the monitored item displays in the third line. (default is output current)	18	*1
16-03	Display Unit	0~39999 Determine the display way and unit of frequency command 0: Frequency display unit is 0.01Hz 1: Frequency display unit is 0.01% 2: Frequency display unit is rpm. 3~39:	0	

Group 16: LCD Function Parameters				
Code	Parameter Name	Setting Range	Default	Attribute
		Reserved		
		40~9999:		
		Users specify the format, Input 0XXXX represents the display of XXXX at 100%.		
		10001~19999:		
		Users specify the format; Input 1XXXX represents the display of XXX.X at 100%.		
		20001~29999:		
		Users specify the format, Input 2XXXX represents the display of XX.XX at 100%.		
		30001~39999:		
		Users specify the format, Input 3XXXX represents the display of X.XXX at 100%.		
		0: without using engineering unit		
16-04	Engineering Unit	1: FPM	0	
		2: CFM		
		3: PSI		
		4: GPH		
		5: GPM		
		6: IN		
		7: FT		
		8: /s		
		9: /m		
		10: /h		
		11: °F		
		12: inW		
		13: HP		
		14: m/s		
		15: MPM		
		16: CMM		
		17: W		
		18: KW		
		19: m		
		20: °C		
		21: RPM		
		22: Bar		

Group 16: LCD Function Parameters				
Code	Parameter Name	Setting Range	Default	Attribute
		23: Pa		
		24: KPa		
16-05	LCD Backlight	0~7	5	*1
16-06	Reserved			
16-07	Copy Function Selection	0: Do not copy parameters	0	
		1: Read inverter parameters and save to the operator.		
		2: Write the operator parameters to inverter.		
16-08	Selection of Allowing Reading	0: Do not allow to read inverter parameters and save to the operator.	0	
		1: Allow to read inverter parameters and save to the operator.		
		3: Compare parameters of inverter and operator.		
16-09	Selection of Operator Removed (LCD)	0: Keep operating when LCD operator is removed.	0	*1
		1: Display fault when LCD operator is removed		
16-10	RTC Time Display Setting	0: Hide 1: Display	0	Note8
16-11	RTC Date Setting	12.01.01 ~ 99.12.31	12.01.01	Note8
16-12	RTC Time Setting	00:00 ~ 23:59	00:00	Note8
16-13	RTC Timer Function	0: Disable 1: Enable 2: Set by DI	0	Note8
16-14	P1 Start Time	00:00 ~ 23:59	08:00	Note8
16-15	P1 Stop Time	00:00 ~ 23:59	18:00	Note8
16-16	P1 Start Date	1: Mon 2: Tue 3: Wed 4: Thu 5: Fri 6: Sat 7: Sun	1	Note8
16-17	P1 Stop Date	1: Mon 2: Tue 3: Wed 4: Thu 5: Fri 6: Sat 7: Sun	5	Note8
16-18	P2 Start Time	00:00 ~ 23:59	08:00	Note8
16-19	P2 Stop Time	00:00 ~ 23:59	18:00	Note8

Group 16: LCD Function Parameters				
Code	Parameter Name	Setting Range	Default	Attribute
16-20	P2 Start Date	1:Mon	1	Note8
16-21	P2 Stop Date	2:Tue 3:Wed 4:Thu 5:Fri 6:Sat 7:Sun	5	Note8
16-22	P3 Start Time	00:00 ~ 23:59	08:00	Note8
16-23	P3 Stop Time	00:00 ~ 23:59	18:00	Note8
16-24	P3 Start Date	1:Mon	1	Note8
16-25	P3 Stop Date	2:Tue 3:Wed 4:Thu 5:Fri 6:Sat 7:Sun	5	Note8
16-26	P4 Start Time	00:00 ~ 23:59	08:00	Note8
16-27	P4 Stop Time	00:00 ~ 23:59	18:00	Note8
16-28	P4 Start Date	1:Mon	1	Note8
16-29	P4 Stop Date	2:Tue 3:Wed 4:Thu 5:Fri 6:Sat 7:Sun	5	Note8
16-30	Selection of RTC Offset	0: Disable 1: Enable 2: Set by DI	0	Note8
16-31	RTC Offset Time Setting	00:00 ~ 23:59	00:00	Note8
16-32	Source of Timer 1	0: None, 1:P1, 2:P2, 3:P1+P2	1	Note8
16-33	Source of Timer 2	4:P3, 5:P1+P3, 6:P2+P3,	2	Note8
16-34	Source of Timer 3	7:P1+P2+P3, 8:P4, 9:P1+P4,	4	Note8
16-35	Source of Timer 4	10:P2+P4, 11:P1+P2+P4 12:P3+P4 13:P1+P3+P4, 14:P2+P3+P4 15:P1+P2+P3+P4, 16:Off, 17:Off+P1 18:Off+P2, 19:Off+P1+P2 20:Off+P3, 21:Off+P1+P3 22:Off+P2+P3 23:Off+P1+P2+P3 24:Off+P4 25:Off+P1+P4 26:Off+P2+P4 27:Off+P1+P2+P4	8	Note8

Group 16: LCD Function Parameters				
Code	Parameter Name	Setting Range	Default	Attribute
		28:Off+P3+P4 29:Off+P1+P3+P4 30:Off+P2+P3+P4 31:Off+P1+P2+P3+P4		
16-36	Selection of RTC Speed	0: Off 1: By Timer 1 2: By Timer 2 3: By Timer 3 4: By Timer 4 5: By Timer 1+2	0	Note8
16-37	Selection of RTC Rotation Direction	xxx0b: RTC Run1 Forward Rotation xxx1b: RTC Run1 Reverse Rotation xx0xb: RTC Run2 Forward Rotation xx1xb: RTC Run2 Reverse Rotation x0xxb: RTC Run3 Forward Rotation x1xxb: RTC Run3 Reverse Rotation 0xxxb: RTC Run4 Forward Rotation 1xxxb: RTC Run4 Reverse Rotation	0000b	Note8

### Group 17: Automatic Tuning Parameters

Code	Parameter Name	Setting Range	Default	Attribute
17-00	Mode Selection of Automatic Tuning*	0: Rotation Auto-tuning	VF:2 VF+PG:2 SLV:6 SV:6 SLV2:6	
		1: Static Auto-tuning		
		2: Stator Resistance Measurement		
		3: Reserved		
		4: Loop Tuning		
		5: Rotation Auto-tuning Combination (item: 4+2+0)		
	6: Static Auto-tuning Combination (item: 4+2+1)			
17-01	Motor Rated Output Power	0.00~600.00	KVA	
17-02	Motor Rated Current	0.1~1200.0	KVA	
17-03	Motor Rated Voltage	200V: 50.0~240.0	-	
		400V: 100.0~480.0	-	
		575V: 150.0~670.0	-	
		690V: 180.0~804.0	-	
17-04	Motor Rated Frequency	4.8~599.0	50.0/ 60.0	
17-05	Motor Rated Speed	0~24000	KVA	
17-06	Pole Number of Motor	2~16 (Even)	4	
17-07	PG Pulse Number	0~60000	1024	
17-08	Motor no-load Voltage	200V: 50~240	-	
		400V: 100~480		
		575V: 420~600		
		690V: 504~720		
17-09	Motor Excitation Current	0.01~600.00	-	■1
17-10	Automatic Tuning Start	0: Disable	0	
		1: Enable		
17-11	Error History of Automatic Tuning	0: No error	0	
		1: Motor data error		
		2: Stator resistance tuning error		
		3: Leakage induction tuning error		
		4: Rotor resistance tuning error		
		5: Mutual induction tuning error		

### Group 17: Automatic Tuning Parameters

Code	Parameter Name	Setting Range	Default	Attribute
		6: Encoder error		
		7: DT Error		
		8: Motor's acceleration error		
		9: Warning		
17-12	Proportion of Motor Leakage Inductance	0.1~15.0	3.4	
17-13	Motor Slip Frequency	0.10~20.00	1.00	
17-14	Selection of Rotation Auto-tuning	0: VF Rotation Auto-tuning	0	
		1: Vector Rotation Auto-tuning		

KVA: The default value of this parameter will be changed by different capacities of inverter.

\*: The default value is 1 in VF/ VF+PG mode while the default value is 0 in SLV/ SV/ SLV2 mode.

\*: It is suggested that HD/ ND mode (00-27) and application presets (00-32) be selected first before motor performs auto-tuning.

Note: The value of mode selection of automatic tuning is 6 (Static Auto-tuning Combination). When do auto-tuning with no-load motor, it suggest select 17-00=5 (Rotation Auto-tuning Combination)

■1: It can be set when 17-00=1, 2, 6.

### Group 18: Slip Compensation Parameters

Code	Parameter Name	Setting Range	Default	Attribute
18-00	Slip Compensation Gain at Low Speed.	0.00~2.50	VF:0.00	*1
			SLV*	
18-01	Slip Compensation Gain at High Speed.	-1.00~1.00	0.0	*1
18-02	Slip Compensation Limit	0~250	200	
18-03	Slip Compensation Filter Time	0.0~10.0	1.0	
18-04	Regenerative	0: Disable	0	

Group 18: Slip Compensation Parameters				
Code	Parameter Name	Setting Range	Default	Attribute
	Slip Compensation Selection	1: Enable		
18-05	FOC Delay Time	1~1000	100	
18-06	FOC Gain	0.00~2.00	0.1	

\*: Refer to the attachment 1 in our instruction manual.

Group 19: Wobble Frequency Parameters				
Code	Parameter Name	Setting Range	Default	Attribute
19-00	Center Frequency of Wobble Frequency	5.00~100.00	20.00	*1
19-01	Amplitude of Wobble Frequency	0.1~20.0	10.0	*1
19-02	Jump Frequency of Wobble Frequency	0.0~50.0	0.0	*1
19-03	Jump Time of Wobble Frequency	0~50	0	*1
19-04	Wobble Frequency Cycle	0.0~1000.0	10.0	*1
19-05	Wobble Frequency Ratio	0.1~10.0	1.0	*1
19-06	Upper Offset Amplitude of Wobble Frequency	0.0~20.0	0.0	*1
19-07	Lower Offset Amplitude of Wobble Frequency	0.0~20.0	0.0	*1

Group 20: Speed Control Parameters				
Code	Parameter Name	Setting Range	Default	Attribute
20-00	ASR Gain 1	0.00~250.00	-	*1
20-01	ASR Integral Time 1	0.001~10.000	-	*1
20-02	ASR Gain 2	0.00~250.00	-	*1
20-03	ASR Integral Time 2	0.001~10.000	-	*1
20-04	ASR Integral Time Limit	0~300	200	
20-05	ASR Positive Limit	0.1 ~ 10.0	5.0	

Group 20: Speed Control Parameters				
Code	Parameter Name	Setting Range	Default	Attribute
20-06	ASR Negative Limit	0.1 ~ 10.0	1.0	
20-07	Selection of Acceleration and Deceleration of P/PI	0: PI speed control will be enabled only in constant speed. For the speed acceleration and deceleration, only use P control. 1: Speed control is enabled either in acceleration or deceleration.	0	
20-08	ASR Delay Time	0.000~0.500	0.004	
20-09	Speed Observer Proportional (P) Gain1	0.00~2.55	0.61	*1
20-10	Speed Observer Integral(I) Time 1	0.01~10.00	0.05	*1
20-11	Speed Observer Proportional (P) Gain2	0.00~2.55	0.61	*1
20-12	Speed Observer Integral(I) Time 2	0.01~10.00	0.06	*1
20-13	Low-pass Filter Time Constant of Speed Feedback 1	1~1000	4	
20-14	Low-pass Filter Time Constant of Speed Feedback 2	1~1000	30	
20-15	ASR Gain Change Frequency 1	0.0~599.0	4.0	
20-16	ASR Gain Change Frequency 2	0.0~599.0	8.0	
20-17	Torque Compensation Gain at Low Speed	0.00~2.50	1.00	*1
20-18	Torque Compensation Gain at High Speed	-10~10	0	*1
20-19	Over Speed (OS) Selection	0: Deceleration to stop 1: Coast to stop 2: Continue to operate	1	
20-20	Over Speed (OS) Detection Level	0~120	115	
20-21	Over Speed (OS) Detection Time	0.0~2.0	0.5	

Group 20: Speed Control Parameters				
Code	Parameter Name	Setting Range	Default	Attribute
20-22	Speed Deviation (DEV) Selection	0: Deceleration to Stop	2	
		1: Coast to Stop		
		2: Continue to Operate		
20-23	Speed Deviation (DEV) Detection Level	0~50	10	
20-24	Speed Deviation (DEV) Detection Time	0.0~10.0	0.5	
20-25	Selection of PG Open	0: Deceleration to Stop	1	
		1: Coast to Stop		
		2: Continue to Operate		
20-26	Detection Time of PG Open	0.0~10.0	2.0	
20-27	PG Pulse Number	0~9999	1024	
20-28	Selection of PG Rotation Direction	0: Forward as Counter - Clockwise Rotation	0	
		1: Forward as Clockwise Rotation		
20-29	PG Pulse Dividing Ratio	001~132	1	
20-30	PG Gear Ratio 1	1~1000	1	
20-31	PG Gear Ratio 2	1~1000	1	
20-32	Selection of Specific Encoder	0: None	0	
		1: Resolver		
20-33	Detection Level at Constant Speed	0.1~5.0	1.0	*1
20-34	Compensation Gain of Derating	0~25600	0	*1
20-35	Compensation Time of Derating	0~30000	100	*1
20-36 ~ 20-42	Reserved			
20-43	MPG Speed Magnification Calculation	1~500	20	Note5
20-44	MPG Speed Command Limit	0.1~30.0	6.0	Note5

Group 21: Torque And Position Control Parameters				
Code	Parameter Name	Setting Range	Default	Attribute
21-00	Torque Control Selection	0: Speed Control	0	
		1: Torque Control		
21-01	Filter Time of Torque Reference	0~1000	0	
21-02	Speed Limit Selection	0: According to AI Input	0	
		1: According to the Set Value of 21-03		
		2: According to communication position input (2502H)		
21-03	Speed Limit Value	-120~120	0	*1
21-04	Speed Limit Bias	0~120	10	*1
21-05	Positive Torque Limit	0~300	*	
21-06	Negative Torque Limit	0~300	*	
21-07	Forward Regenerative Torque Limit	0~300	*	
21-08	Reversal Regenerative Torque Limit	0~300	*	
21-09	Maximum Frequency of Position Control	0.1~100.0	20.0	
21-10	The Command of Rotation Cycle Number of Section 0	-9999 ~ 9999	0	
21-11	The Command of the Pulse Number of Section 0	-9999 ~ 9999	0	
21-12	The Command of Rotation Cycle Number of Section 1	-9999 ~ 9999	0	
21-13	The Command of the Pulse Number of Section 1	-9999 ~ 9999	0	
21-14	The Command of Rotation Cycle Number of Section 2	-9999 ~ 9999	0	
21-15	The Command of the Pulse Number of	-9999 ~ 9999	0	

Group 21: Torque And Position Control Parameters				
Code	Parameter Name	Setting Range	Default	Attribute
	Section 2			
21-16	The Command of Rotation Cycle Number of Section 3	-9999 ~ 9999	0	
21-17	The Command of the Pulse Number of Section 3	-9999 ~ 9999	0	
21-18	The Command of Rotation Cycle Number of Section 4	-9999 ~ 9999	0	
21-19	The Command of the Pulse Number of Section 4	-9999 ~ 9999	0	
21-20	The Command of Rotation Cycle Number of Section 5	-9999 ~ 9999	0	
21-21	The Command of the Pulse Number of Section 5	-9999 ~ 9999	0	
21-22	The Command of Rotation Cycle Number of Section 6	-9999 ~ 9999	0	
21-23	The Command of the Pulse Number of Section 6	-9999 ~ 9999	0	
21-24	The Command of Rotation Cycle Number of Section 7	-9999 ~ 9999	0	
21-25	The Command of the Pulse Number of Section 7	-9999 ~ 9999	0	
21-26	The Command of the Pulse Number of Section 8	-9999 ~ 9999	0	
21-27	The Command of Rotation Cycle Number of Section 8	-9999 ~ 9999	0	
21-28	The Command of the Pulse Number of Section 9	-9999 ~ 9999	0	

Group 21: Torque And Position Control Parameters				
Code	Parameter Name	Setting Range	Default	Attribute
21-29	The Command of Rotation Cycle Number of Section 9	-9999 ~ 9999	0	
21-30	The Command of Rotation Cycle Number of Section 10	-9999 ~ 9999	0	
21-31	The Command of the Pulse Number of Section 10	-9999 ~ 9999	0	
21-32	The Command of Rotation Cycle Number of Section 11	-9999 ~ 9999	0	
21-33	The Command of the Pulse Number of Section 11	-9999 ~ 9999	0	
21-34	The Command of Rotation Cycle Number of Section 12	-9999 ~ 9999	0	
21-35	The Command of the Pulse Number of Section 12	-9999 ~ 9999	0	
21-36	The Command of Rotation Cycle Number of Section 13	-9999 ~ 9999	0	
21-37	The Command of the Pulse Number of Section 13	-9999 ~ 9999	0	
21-38	The Command of Rotation Cycle Number of Section 14	-9999 ~ 9999	0	
21-39	The Command of the Pulse Number of Section 14	-9999 ~ 9999	0	
21-40	The Command of Rotation Cycle Number of Section 15	-9999 ~ 9999	0	
21-41	The Command of the Pulse Number of Section 15	-9999 ~ 9999	0	
21-42	Pos. Mode Sel	0: Switch to position mode when output frequency < 01-08.	0	



Group 21: Torque And Position Control Parameters				
Code	Parameter Name	Setting Range	Default	Attribute
		1: Z Phase Locked Function		
21-43	Offset Angle	0 ~9999	0	

\* Refer to the attachment 1 in our instruction manual.

Group 22: PM Motor Parameters				
Code	Parameter Name	Setting Range	Default	Attribute
22-00	PM Motor Rated Power	0.00~600.00	KVA	
22-01	PM Motor Rated Voltage	200V: 50.0~240.0 400V: 100.0~480.0	220.0 440.0	Note7
22-02	PM Motor Rated Current	25%~200% inverter's rated current	KVA	
22-03	PM Motor's Pole Number	2~96	6	
22-04	PM Motor's Rotation Speed	6~60000	1500	
22-05	PM Motor's Maximum Rotation Speed	6~60000	1500	
22-06	PM Motor Rated Frequency	4.8~599.0	75.0	
22-07	PM Type Selection	0:SPM 1:IPM	0	Note7
22-08	PM Encoder Type	0: TAMAGAWA Non Wire-Saving Encoder	0	
		1: TAMAGAWA Wire-Saving Encoder		
		2: SUMTAK Wire-Saving Encoder		
		3: General Incremental Encoder		
		4:Sine Wave		
22-09	Reserved			
22-10	PM SLV Start Current	20% ~ 200% Motor Rated Current	80	
22-11	I/F Mode Start Frequency Switching Point	10 ~ 100 (Note7)	10	
22-12	Reserved (Note4)			
22-13	Reserved (Note4)			
22-14	Armature	0.001 ~ 30.000	1.000	

Group 22: PM Motor Parameters				
Code	Parameter Name	Setting Range	Default	Attribute
	Resistance of PM Motor			
22-15	D-axis Inductance of PM Motor	0.01 ~ 300.00	10.00	
22-16	Q-axis Inductance of PM Motor	0.01 ~ 300.00	10.00	
22-17	PM No-Load Voltage	200V: 0~250 400V: 0~500	150 300	Note7
22-18	Flux-Weakening Limit	0~120	90	
22-19	Reserved			
22-20	Offset Angle of the Magnetic Pole and PG Origin	0~360	0	*4
22-21	PM Motor Tuning	0: PM Motor Tuning is not Active.	0	
		1: Parameter Auto-tune (for PMSLV Tuning)		
		2: Magnetic Pole Alignment and Loop Adjustment (for PMSV Tuning)		
22-22	Fault History of PM Motor Tuning	0. No Error	0	*4
		1. Static Magnetic Alignment Fault		
		2. Without PG Option Card		
		3. Rotation Pole Alignment is Forced to Stop		
		4. Error of Encoder Feedback Direction		
		5. Loop Adjustment is Time out		
		6. Encoder Error		
		7. Other Errors of Motor Tuning		
8. Current Abnormity Occurs when Aligning Rotation				

Group 22: PM Motor Parameters				
Code	Parameter Name	Setting Range	Default	Attribute
		Magnetic Pole.		
		9. Current Abnormity Occurs while Loop Adjustment.		
		10.Reserved		
		11. Stator Resistance Measurement Timeout		
22-23 22-24	Reserved			
22-25	Detection Mode Selection of Initial Magnetic Pole	0: Upon the angle before stopping 1: Mode 1 2: Mode 2	2 (Note7)	
22-26	Estimator Mode	0~1(in PMSLV mode)	0	
22-27	Voltage Command of Mode 2	5~120 (Note7) (22-25=2 or 22-26=1 is enabled)	50	
22-28	Divider Ratio of Mode 2	0~8 (Note7) (22-25=2 or 22-26=1 is enabled)	2	
22-29	Flux-weakening Voltage Command Restriction	80~110 (Note7) (relative to parameter 22-18)	100	
22-30	SPM Speed Estimation Gain (Note7)	1~150	85	Note4
22-31	SPM Speed Estimation Filter Value (Note7)	1~2000	60	Note4
22-32	MTPA Selection	0: Disabled 1: Mode 1	0	Note7
22-33	MTPA Gain	000~400%	200	Note7
22-34	IPM Estimator Gain	1~300.0	180	Note7
22-36	PM Motor Type Selection	0: Normal PM motor 1: DVEN Motor	0	Note 8
22-37	PM Motor Horse Power & RPM	1.0.75KW 1800RPM 4.1.5KW 1800RPM 7.2.2KW 1800RPM	0	Note 8

Group 22: PM Motor Parameters				
Code	Parameter Name	Setting Range	Default	Attribute
		10.3.7KW 1800RPM		
		13.5.5KW 1800RPM		
		16.7.5KW 1800RPM		
		19.11KW 1800RPM		
		22.15KW 1800RPM		
		25.18.5KW 1800RPM		
		28.22KW 1800RPM		

## Chapter 4 Troubleshooting and Fault Diagnostics

### 4.1 General

Inverter fault detection and early warning / self-diagnosis function. When the inverter detects a fault, a fault message is displayed on the keypad. The fault contact output energizes and the motor will coast to stop (The stop method can be selected for specific faults).

When the inverter detects a warning / self-diagnostics error, the digital operator will display a warning or self-diagnostic code, the fault output does not energize in this case. Once the warning is removed, the system will automatically return to its original state.

### 4.2 Fault Detection Function

When a fault occurs, please refer to Table 4.1 for possible causes and take appropriate measures.

Use one of the following methods to restart:

1. Set one of multi-function digital input terminals (03-00, 03-07) to 17 (Fault reset); activate input
2. Press the reset button on the keypad.
3. Power down inverter wait until keypad goes blank and power-up the inverter again.

When a fault occurs, the fault message is stored in the fault history (see group 12 parameters).

**Table 4.1 Fault information and possible solutions**

LED display	Possible solutions
<b>OC</b> over current	<ul style="list-style-type: none"> <li>• Extend acceleration / deceleration time.</li> <li>• Check the motor wiring.</li> <li>• Disconnect motor and try running inverter.</li> </ul>
<b>OCA</b> over current	<ul style="list-style-type: none"> <li>• Set the longer acceleration time</li> <li>• Change to bigger capacity of inverter</li> <li>• Examine motor</li> <li>• Check the wire</li> <li>• Replace IGBT module</li> </ul>
<b>OCC</b> over current	<ul style="list-style-type: none"> <li>• Change to bigger capacity of inverter</li> <li>• Add reactor to power source</li> </ul>
<b>OCd</b> over current	<ul style="list-style-type: none"> <li>• Set the longer acceleration time</li> </ul>
<b>SC</b> short circuit	<ul style="list-style-type: none"> <li>• Check the motor wiring.</li> <li>• Disconnect motor and try running inverter.</li> </ul>
<b>GF</b> Ground fault	<ul style="list-style-type: none"> <li>• Replace motor.</li> <li>• Check the motor wiring.</li> <li>• Disconnect motor and try running inverter.</li> <li>• Check resistance between cables and ground.</li> <li>• Reduce carrier frequency.</li> </ul>
<b>OV</b> Over voltage	<ul style="list-style-type: none"> <li>• Increase deceleration time</li> <li>• Reduce input voltage to comply with the input voltage requirements or install an AC line reactor to lower the input voltage.</li> <li>• Remove the power factor correction capacitor.</li> <li>• Use dynamic braking unit.</li> <li>• Replace braking transistor or resistor.</li> <li>• Adjust speed search parameters.</li> </ul>

LED display	Possible solutions
<b>UV</b> Under voltage	<ul style="list-style-type: none"> <li>• Check the input voltage.</li> <li>• Check input wiring.</li> <li>• Increase acceleration time.</li> <li>• Check power source</li> <li>• Replace pre-charge contactor</li> <li>• Replace control board or complete inverter.</li> </ul>
<b>IPL input phase loss</b>	<ul style="list-style-type: none"> <li>• Check input wiring / faster screws.</li> <li>• Check power supply.</li> </ul>
<b>OPL output phase loss</b>	<ul style="list-style-type: none"> <li>• Check output wiring / faster screws.</li> <li>• Check motor &amp; inverter rating.</li> </ul>
<b>OH1</b> Heatsink overheat	<ul style="list-style-type: none"> <li>• Install fan or AC to cool surroundings.</li> <li>• Replace cooling fan.</li> <li>• Reduce carrier frequency.</li> <li>• Reduce load / Measure output current</li> </ul>
<b>OL1</b> Motor overload	<ul style="list-style-type: none"> <li>• Check V/f curve.</li> <li>• Check motor rated current</li> <li>• Check and reduce motor load, check and operation duty cycle.</li> </ul>
<b>OL2</b> Inverter overload	<ul style="list-style-type: none"> <li>• Check V/f curve.</li> <li>• Replace inverter with larger rating.</li> <li>• Check and reduce motor load, check and operation duty cycle.</li> </ul>
<b>OT</b> Over torque detection	<ul style="list-style-type: none"> <li>• Check over torque detection parameters (08-15 / 08-16).</li> <li>• Check and reduce motor load, check and operation duty cycle.</li> </ul>
<b>UT</b> Under torque detection	<ul style="list-style-type: none"> <li>• Check under torque detection parameters (08-19 / 08-20).</li> <li>• Check load / application.</li> </ul>
run Switch for Motor1/Motor2	<ul style="list-style-type: none"> <li>• Revise the sequence control and switch motor in top time.</li> </ul>
<b>OS</b> Over speed	<ul style="list-style-type: none"> <li>• Check ASR parameters group 21.</li> <li>• Check PG parameters</li> <li>• Check overspeed parameters 20-20/20-12.</li> </ul>

LED display	Possible solutions
PGO PG Open circuit	<ul style="list-style-type: none"> <li>• Check PG wiring.</li> <li>• Check PG power-supply.</li> <li>• Make sure brake is released.</li> </ul>
PGO	
DEV Speed deviation	<ul style="list-style-type: none"> <li>• Check load</li> <li>• Make sure brake is released.</li> <li>• Check PG wiring.</li> <li>• Check PG parameters 20-23/20-24.</li> <li>• Increase Acceleration / deceleration time.</li> </ul>
DEV	
CE communication error	<ul style="list-style-type: none"> <li>• Check connection</li> <li>• Check host computer / software.</li> </ul>
CE	
FB PID feedback loss	<ul style="list-style-type: none"> <li>• Check feedback wiring</li> <li>• Replace feedback sensor.</li> </ul>
FB	
STO Safety switch	<ul style="list-style-type: none"> <li>• Check F1 and F2 connection. (For standard H &amp; C type)</li> <li>• Check SF1 / SF2 and SG connection (For enhanced E &amp; G type)</li> <li>• Check if 08-30 =0 and 03-00~03-07=58</li> </ul>
STO	
STO2 Safety switch	
SS1 Digital input Stop command	<ul style="list-style-type: none"> <li>• Check if 08-30 =0 and 03-00~03-07=58</li> </ul>
SS1	
EF0 External fault 0	<ul style="list-style-type: none"> <li>• Reset Modbus communication 0x2501 bit 2= "1"</li> </ul>
EF0	
EF1 External fault (S1)	<ul style="list-style-type: none"> <li>• Multi-function input function set incorrectly.</li> <li>• Check wiring</li> </ul>
EF1	
EF2 External fault (S2)	
EF2	

LED display	Possible solutions	
EF3 External fault (S3)		
EF3		
EF4 External fault (S4)		
EF4		
EF5 External fault (S5)		
EF5		
EF6 External fault (S6)		
EF6		
EF7 External fault (S7)	<ul style="list-style-type: none"> <li>• Perform rotational or stationary auto-tune</li> <li>• Increase minimum output frequency (01-08)</li> </ul>	
EF7		
EF8 External fault (S8)		
EF8		
CF07 Motor control fault		<ul style="list-style-type: none"> <li>• Increase the value of 22-10 and 22-23 properly.</li> <li>• Re auto-tune (22-21)</li> <li>• Check if the load is too heavy to raise torque output limit.</li> </ul>
CF07		
CF08 Motor control fault		<ul style="list-style-type: none"> <li>• Check IGBTs</li> <li>• Check for short circuit at inverter output.</li> <li>• Replace inverter.</li> </ul>
CF08		
FU fuse open	<ul style="list-style-type: none"> <li>• Disconnect the operator and then reconnect.</li> <li>• Replace the control board</li> </ul>	
FU		
CF00 Operator Communication Error		
CF00		

LED display	Possible solutions
CF01 Operator Communication Error 2	<ul style="list-style-type: none"> <li>• Disconnect the operator and then reconnect.</li> <li>• Replace the control board</li> </ul>
CTER CT Failure	<ul style="list-style-type: none"> <li>• Check current transformer signal and the voltage on the control board.</li> </ul>
CF20 Communication Failure	<ul style="list-style-type: none"> <li>• Check only use one kind of communication type.</li> </ul>
Protection Failure	<ul style="list-style-type: none"> <li>• Remove digital input communication run command</li> </ul>
External Overload	<ul style="list-style-type: none"> <li>• Check external overload.</li> <li>• Reset external overload of digital input.</li> </ul>

### 4.3 Warning / Self-diagnosis Detection Function

When the inverter detects a warning, the keypad displays a warning code (flash).

**Note:** The fault contact output does not energize on a warning and the inverter continues operation. When the warning is no longer active the keypad will return to its original state.

When the inverter detected a programming error (for example two parameters contradict each other or are set to an invalid setting), the keypad displays a self-diagnostics code.

**Note:** The fault contact output does not energize on a self-diagnostics error. While a self-diagnostics code is active the inverter does not accept a run command until the programming error is corrected.





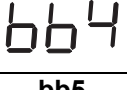



**Note:** When a warning or self- diagnostic error is active the warning or error code will flash on the keypad. When the RESET key is pressed, the warning message (flash) disappears and









returns after 5 sec. If the warning or self-diagnostic error still exists.










Refer to Table 4.2 for an overview, cause and corrective action for inverter warnings and self-diagnostic errors.






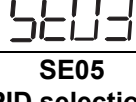
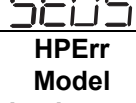

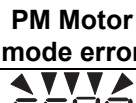

**Table 4.2 warning / self-diagnosis and corrective actions**










LED display	Corrective action
OV (flash) Over voltage	<ul style="list-style-type: none"> <li>• Increase deceleration time</li> <li>• Reduce input voltage to comply with the input voltage requirements or install an AC line reactor to lower the input voltage.</li> <li>• Remove the power factor correction capacitor.</li> <li>• Use dynamic braking unit.</li> <li>• Replace braking transistor or resistor.</li> <li>• Adjust speed search parameters.</li> </ul>
UV (flash) under voltage	<ul style="list-style-type: none"> <li>• Check the input voltage.</li> <li>• Check input wiring.</li> <li>• Increase acceleration time.</li> <li>• Check power source</li> <li>• Replace pre-charge contactor</li> <li>• Replace control board or complete inverter.</li> </ul>
OH1 Heatsink overheat	<ul style="list-style-type: none"> <li>• Install fan or AC to cool surroundings.</li> <li>• Replace cooling fan.</li> <li>• Reduce carrier frequency.</li> <li>• Reduce load / Measure output current</li> </ul>
OH2 (flash) Inverter over heating warning	<ul style="list-style-type: none"> <li>• Multi-function input function set incorrectly.</li> <li>• Check wiring</li> </ul>
OT (flash) over torque detection	<ul style="list-style-type: none"> <li>• Check over torque detection parameters (08-15 / 08-16).</li> <li>• Check and reduce motor load, check and operation duty cycle.</li> </ul>







LED display	Corrective action
<b>UT</b> <b>(flash)</b> <b>under torque</b> <b>detection</b>	<ul style="list-style-type: none"> <li>• Check under torque detection parameters (08-19 / 08-20).</li> <li>• Check load / application.</li> </ul>
	
<b>bb1</b> <b>(flash)</b> <b>External</b> <b>baseblock</b>	<ul style="list-style-type: none"> <li>• Multi-function input function set incorrectly.</li> <li>• Check wiring</li> </ul>
	
<b>bb2</b> <b>(flash)</b> <b>External</b> <b>baseblock</b>	
	
<b>bb3</b> <b>(flash)</b> <b>External</b> <b>baseblock</b>	
	
<b>bb4</b> <b>(flash)</b> <b>External</b> <b>baseblock</b>	
	
<b>bb5</b> <b>(flash)</b> <b>External</b> <b>baseblock</b>	<ul style="list-style-type: none"> <li>• Multi-function input function set incorrectly.</li> <li>• Check wiring</li> </ul>
	
<b>bb6</b> <b>(flash)</b> <b>External</b> <b>baseblock</b>	
	
<b>bb7</b> <b>(flash)</b> <b>External</b> <b>baseblock</b>	
	

LED display	Corrective action
<b>bb8</b> <b>(flash)</b> <b>External</b> <b>baseblock</b>	
	
<b>OS</b> <b>(flash)</b> <b>Motor over</b> <b>speed</b>	<ul style="list-style-type: none"> <li>• Check ASR parameters group 21.</li> <li>• Check PG parameters</li> <li>• Check overspeed parameters 20-20/20-12.</li> </ul>
	
<b>PGO</b> <b>(flash)</b> <b>PG open</b> <b>circuit</b>	<ul style="list-style-type: none"> <li>• Check PG wiring.</li> <li>• Check PG power-supply.</li> <li>• Make sure brake is released.</li> </ul>
	
<b>DEV</b> <b>(flash)</b> <b>Speed</b> <b>deviation</b>	<ul style="list-style-type: none"> <li>• Check load</li> <li>• Make sure brake is released.</li> <li>• Check PG wiring.</li> <li>• Check PG parameters 20-23/20-24.</li> <li>• Increase Acceleration / deceleration time.</li> </ul>
	
<b>OL1</b> <b>Motor overload</b>	<ul style="list-style-type: none"> <li>• Check V/f curve.</li> <li>• Check motor rated current</li> <li>• Check and reduce motor load, check and operation duty cycle.</li> </ul>
	
<b>OL2</b> <b>Inverter</b> <b>overload</b>	<ul style="list-style-type: none"> <li>• Check V/f curve.</li> <li>• Replace inverter with larger rating.</li> <li>• Check and reduce motor load, check and operation duty cycle.</li> </ul>
	
<b>CE</b> <b>(flash)</b> <b>communication</b> <b>error</b>	<ul style="list-style-type: none"> <li>• Check connection</li> <li>• Check host computer / software.</li> </ul>
	
<b>CLA</b> <b>over current</b> <b>protection level</b> <b>A</b>	<ul style="list-style-type: none"> <li>• Check load and duty cycle operation.</li> </ul>
	

LED display	Corrective action
CLB over current protection level B	<ul style="list-style-type: none"> <li>• Check load and duty cycle operation.</li> </ul>
	
Retry (flash) retry	<ul style="list-style-type: none"> <li>• Warning disappears after automatic reset.</li> </ul>
	
ES (flash) External emergency stop	<ul style="list-style-type: none"> <li>• Turn off run command, and remove external emergency stop command.</li> </ul>
	
EF1 ( flash ) External fault (S1)	<ul style="list-style-type: none"> <li>• Multi-function input function set incorrectly.</li> <li>• Check wiring</li> <li>• Multi-function input function set incorrectly.</li> <li>• Check wiring</li> </ul>
	
EF2 ( flash ) External fault (S2)	
	
EF3 ( flash ) External fault (S3)	
	
EF4 ( flash ) External fault (S4)	
	
EF5 ( flash ) External fault (S5)	
	
EF6 ( flash ) External fault (S6)	
	

LED display	Corrective action
EF7 ( flash ) External fault (S7)	
	
EF8 ( flash ) External fault (S8)	
	
EF9 ( flash ) error of forward/revers al rotation	<ul style="list-style-type: none"> <li>• Check run command wiring</li> </ul>
	
SE01 Rang setting error	<ul style="list-style-type: none"> <li>• Check parameter setting.</li> </ul>
	
SE02 Digital input terminal error	<ul style="list-style-type: none"> <li>• Check multi-function input setting.</li> </ul>
	
SE03 V/f curve error	<ul style="list-style-type: none"> <li>• Check V/F parameters</li> </ul>
	
SE05 PID selection error	<ul style="list-style-type: none"> <li>• Check 10-00 and 10-01</li> <li>• Check 10-29 and 10-25</li> <li>• Check 10-29 and 10-03</li> </ul>
	
HPErr Model selection error	<ul style="list-style-type: none"> <li>• Check inverter capacity setting 13-00.</li> </ul>
	
SE07 PG card error	<ul style="list-style-type: none"> <li>• Install PG feedback card.</li> <li>• Check control mode.</li> <li>• Set right type for PM Encoder Type (22-08) and power on again.</li> </ul>
	
SE08 PM Motor mode error	<ul style="list-style-type: none"> <li>• Check control mode.</li> </ul>
	

LED display	Corrective action
SE09 PI setting error 	<ul style="list-style-type: none"> <li>Check pulse input selection (03-30) and PID source (10-00 and 10-01).</li> </ul>
FB (flash) PID feedback breaking 	<ul style="list-style-type: none"> <li>Check feedback wiring</li> <li>Replace feedback sensor.</li> </ul>
USP (flash) Unattended Start Protection 	<ul style="list-style-type: none"> <li>Remove run command or reset inverter via multi-function digital input (03-00 to 03-07 = 17) or use the RESET key on the keypad to reset inverter.</li> <li>Activate USP input and re-apply the power.</li> </ul>
STP0 Zero Speed Stop Error 	<ul style="list-style-type: none"> <li>Adjust frequency command</li> </ul>
STP2 External Terminal Stop Error 	<ul style="list-style-type: none"> <li>Remove the run command from external terminal</li> </ul>
EnC Encoder Error 	<ul style="list-style-type: none"> <li>Check encoder wiring</li> <li>17-07 PG pulse number setting is not corresponding to the encoder.</li> <li>Replace the encoder.</li> </ul>
RunEr Wrong running direction Error 	<ul style="list-style-type: none"> <li>Revise the command among 11-00, jog and DI control to see if any difference</li> </ul>
PArEr Parameter setting error 	<ul style="list-style-type: none"> <li>Please refer to our instruction manual for correct setting</li> </ul>
STP1 Direct start warning 	<ul style="list-style-type: none"> <li>Remove the run command from the terminal first, and enabled later.</li> </ul>

LED display	Corrective action
FiRE Fire mode enabled 	<ul style="list-style-type: none"> <li>Check the environment and confirm the fire status. If no fire, turn off the power and power on again.</li> </ul>
AdCEr Voltage on C/B error 	<ul style="list-style-type: none"> <li>Check the voltage on the control board.</li> </ul>
EPERr EEPROM Save error 	<ul style="list-style-type: none"> <li>Restore factory setting, then cut off the power and power on again.</li> <li>If warning again, replace control board.</li> </ul>
bdErr Control board error 	<ul style="list-style-type: none"> <li>Replace the control board.</li> </ul>
Parameter Lock 	<ul style="list-style-type: none"> <li>Lifting the parameter lock key code, to enter the correct parameter for 13-07</li> </ul>
Set password failed 	<ul style="list-style-type: none"> <li>Enter the correct parameter for 13-07 to enable the parameter lock key</li> </ul>

#### 4.4 Auto-tuning Error

When a fault occurs during auto-tuning of a standard AC motor, the display will show the “AtErr” fault and the motor stops. The fault information is displayed in parameter 17-11.

**Note:** The fault contact output does not energize with an auto-tuning fault. Refer to Table 4.3, for fault information during tuning, cause and corrective action.

**Table 4.3 Auto-tuning fault and corrective actions**

Error	Corrective action
<b>01</b> Motor data input error.	<ul style="list-style-type: none"> <li>Check the motor tuning data (17-00 to 17-09).</li> <li>Check inverter capacity</li> </ul>
<b>02</b> Motor lead to lead resistance R1 tuning error.	<ul style="list-style-type: none"> <li>Check the motor tuning data (17-00 to 17-09).</li> <li>Check motor connection.</li> </ul>



Error	Corrective action
<b>03</b> Motor leakage inductance tuning error.	<ul style="list-style-type: none"> <li>• Disconnect motor load.</li> <li>• Check inverter current detection circuit and DCCTs.</li> <li>• Check motor installation.</li> </ul>
<b>04</b> Motor rotor resistance R2 tuning error.	
<b>05</b> Motor mutual inductance Lm tuning error.	
<b>07</b> Deadtime compensation detection error	
<b>06</b> Motor encoder error	
<b>08</b> Motor acceleration error (Rotational type auto-tuning only).	<ul style="list-style-type: none"> <li>• Check motor rated current.</li> <li>• Check PG card grounding.</li> </ul>
<b>09</b> Other	<ul style="list-style-type: none"> <li>• Increase acceleration time (00-14).</li> <li>• Disconnect motor load.</li> </ul>
	<ul style="list-style-type: none"> <li>• Check the motor tuning data (17-00 to 17-09).</li> <li>• Check motor connection.</li> </ul>

Error	Corrective action
<b>04</b> Timeout during magnetic pole alignment during rotational auto-tune.	<ul style="list-style-type: none"> <li>• Check motor.</li> <li>• Check motor wiring.</li> <li>• Check brake released.</li> </ul>
<b>05</b> Circuit tuning time out.	<ul style="list-style-type: none"> <li>• Check for active protection functions preventing auto-tuning.</li> </ul>
<b>06</b> Encoder error	<ul style="list-style-type: none"> <li>• Check motor rated current.</li> <li>• Check PG card grounding.</li> </ul>
<b>07</b> Warning	<ul style="list-style-type: none"> <li>• Check the motor tuning data (22-02).</li> <li>• Check motor connection.</li> </ul>
<b>08</b> Motor current out of range during magnetic pole alignment (rotational auto-tune).	<ul style="list-style-type: none"> <li>• Check PG card wiring</li> <li>• Check motor connection.</li> </ul>
<b>09</b> Current out of range during circuit tuning.	<ul style="list-style-type: none"> <li>• Check the motor tuning data (22-02).</li> <li>• Check inverter capacity</li> </ul>
<b>10</b> Magnetic pole alignment and circuit tuning failed.	<ul style="list-style-type: none"> <li>• Retry magnetic pole alignment and circuit tuning.</li> </ul>

#### 4.5 PM motor Auto-tuning Error

When a fault occurs during auto-tuning of a PM motor, the display will show the "IPErr" fault and the motor stops. The fault information is displayed in parameter 22-18.

**Note:** The fault contact output does not energize with an auto-tuning fault. Refer to Table 4.4, for fault information during tuning, cause and corrective action.

**Table 4.4 Auto-tuning fault and corrective actions for PM motor**

Error	Corrective action
<b>01</b> Magnetic pole alignment tuning failure (static).	<ul style="list-style-type: none"> <li>• Check the motor tuning data (22-02).</li> <li>• Check inverter capacity</li> </ul>
<b>02</b> PG option missing.	<ul style="list-style-type: none"> <li>• Install PG feedback card.</li> </ul>
<b>03</b> Magnetic pole alignment auto-tuning abort during rotational auto-tune	<ul style="list-style-type: none"> <li>• Check for active protection functions preventing auto-tuning.</li> </ul>

# 第 1 章 安全注意事項

## 1.1 送電前

### 警告

- 主回路端子必須正確配線，單相(R/L1、S/L2)/三相(R/L1、S/L2、T/L3)為電源輸入端子，絕對不可以與 U/T1、V/T2、W/T3 混用；混用時，送電將造成變頻器的損壞。

### 注意

- 所選用之電源電壓必須與變頻器之輸入電壓規格相同。
- 搬運變頻器時，請勿直接提取前蓋，應由變頻器本體搬運，以防止前蓋脫落，避免變頻器掉落造成人員受傷或變頻器損壞。
- 請將變頻器安裝於金屬類等不燃物材料之上，請勿安裝於易燃性材料上或附近，以防止發生火災。
- 若多台變頻器同放在一個控制盤內，請外加散熱風扇，使盤內溫度低於 40°C 以下(無防塵蓋 50°C 以下)，以防過熱或火災等發生。
- 請於關閉電源後，再拆卸或裝入操作器，並請按圖操作固定操作器，以免接觸不良造成操作器故障或不顯示。

### 警告

- 本產品系通過 IEC 61800-3 限制區域使用等級。在某些環境下使用本產品時，可能造成電磁干擾，故在使用前請先進行適當的測試，同時請務必做好接地工程。
- 提供馬達過溫度保護功能。

### 注意

- 產品的安裝及使用必須由有資格的專業電氣人員進行。
- 產品的安裝必須以固定式配線方式進行。

## 1.2 接線

### 警告

- 實施任何變頻器裝機或配線前，請務必關上總電源，避免觸電及火災發生。
- 配線工程人員須具備相關專業知識，避免觸電與火災發生。
- 確認接地線與大地連接。(220V 級:接地阻抗需低於 100 歐姆; 440V 級:接地阻抗需低於 10 歐姆)。請依據 EN61800-5-1 規範要求將變頻器接地。電線尺寸可能至少須達到 10mm<sup>2</sup> (6AWG) 才能符合限制洩漏電流的標準。
- 變頻器接地端子請務必正確接地;如未正確接地,請務必將控制板地線拔除,避免突波打壞電子零件。
- RCD 需符合 B 型漏電流之保護規範。
- 接線完成後，確認緊急停止機能有效。(接線責任屬於使用方)
- 勿直接觸碰輸入/輸出電源線，並避免所有接線與變頻器外殼接觸與線路短路。
- 勿對變頻器進行耐壓測試，容易造成半導體元件受損。

### 注意

- 確認輸入主電源與變頻器相符，避免受傷或火災發生。
- 請依相關接線圖連接煞車電阻及煞車單元，否則有引發火災危險。
- 請依指定轉矩來鎖固端子螺絲，避免引發火災的危險。
- 勿將輸入電源連接至變頻器輸出端子上。
- 勿將電磁接觸器，電磁開關接點連接至輸出端子。
- 勿將進相電容器或 LC/RC 濾波器連接至輸出電路上。
- 確保變頻器、馬達所產生的干擾不會影響周邊感測器或設備。

## 1.3 運轉前

### 警告

- 送電前請確認變頻器之機種容量和變頻器功能參數 13- 00 所設定的機種容量相同。
- 變頻器與馬達間線長超過 25 公尺，需降低載波頻率(11-01)或加裝輸出濾波器來降低負載端過

電壓或振盪，避免馬達受損。

## 1.4 參數設定

### ⚠ 注意

- 進行旋轉型自動調校時，請勿將馬達連接到負載(機械設備)上。
- 進行旋轉型自動調校時，馬達將進行旋轉，確認馬達週遭空間，避免造成危險。

## 1.5 運轉

### ⚡ 警告

- 請確認前外蓋安裝完成後，再打開電源。
- 運轉中不可將馬達機組投入或切離，否則會造成變頻器過電流跳脫，嚴重時會造成變頻器主回路損壞。
- 進行復歸機能時，請勿靠近機器，故障清除後，機器會再啟動。
- 勿於雙手潮濕時操作機器。
- 提供一個獨立的緊急停止開關，此開關使用在該機能參數被設置時啟用(請參考 11-55)。
- 提供一個獨立外部硬體緊急開關，當遇危險時可緊急關斷變頻器輸出。
- 復歸警告前請確認運轉命令為關閉的。
- 若選擇復電後自動重新啟動(07-00)，變頻器將在電源回復後自動啟動。
- 自動調校執行前，請確保週邊系統，機械設備狀態，確保人員安全。
- 無論變頻器處於運轉或停止狀態，避免觸碰相關端子，以防發生危險。
- 電源切斷後，風扇可能會繼續旋轉一段時間。

### ⚠ 注意

- 散熱座、煞車電阻等發熱元件請勿觸摸。⚠
- 變頻器可以很容易使馬達從低速到高速運轉，請確認馬達與機械的容許範圍。
- 使用煞車模組等搭配產品時，請注意其使用之相關設定。
- 變頻器運轉時，請勿檢查電路板上的信號。

### ⚡ 警告

避免感電！變頻器內部的直流電容器在電源移除後 5 分鐘才能放電完畢，請在電源移除 5 分鐘後，再進行拆裝或實施檢查。15Hp 以上需等待 15 分鐘。

## 1.6 檢查保養和更換時

### ⚡ 警告

- 進行維護檢查前，請先確認電源已經關閉且電源指示燈熄滅(請確認直流電壓不超過 25 伏特)。
- 變頻器端子中有高壓端子，請勿隨意觸摸。
- 電源開啟情況下，請務必安裝保護蓋，另拆卸保護蓋後，請務必透過斷路器斷開電源。
- 除指定的專業人員外，他人請勿進行保養檢查或更換零件。

### ⚠ 注意

- 變頻器周圍溫度應在 14° ~ 104(140)°F (-10 ~ +40(60)°C) 95%RH 不結露環境中使用，但需確保周圍環境無滴水及金屬粉塵。

## 變頻器報廢時注意事項

### ⚠ 注意

當變頻器要處理報廢時，請作為工業垃圾進行處理，並請注意以下事項：

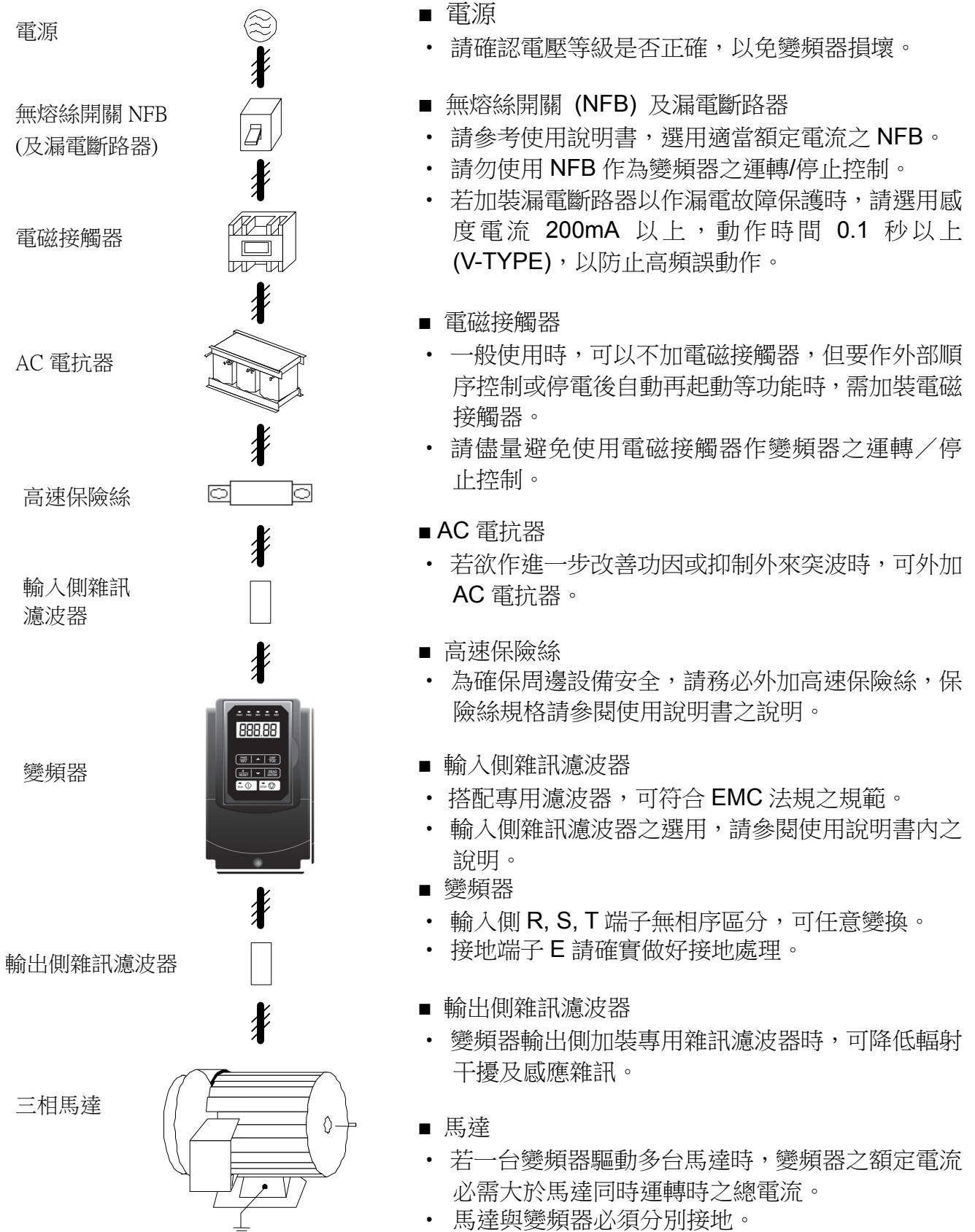
- 變頻器主回路的電解電容和印刷電路板上的電解電容焚燒時可能會發生爆炸；
- 變頻器的外殼等塑膠件焚燒時會產生有毒氣體。



裝有電子元件的設備不能與生活垃圾一起處理，必須按照當地現行法規將其與電氣和電子廢棄物一起單獨回收。

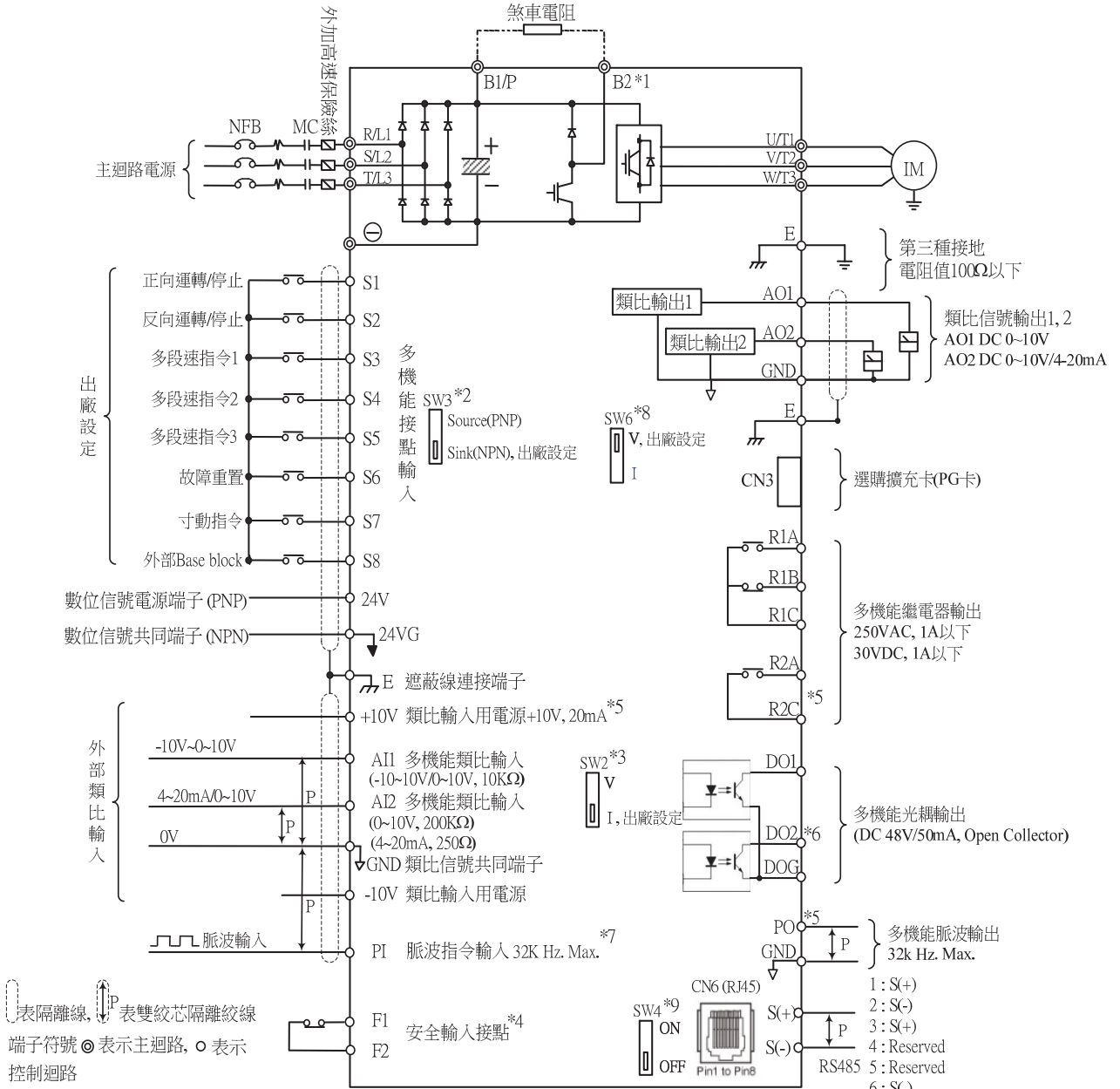
## 第 2 章 周圍環境及安裝

### 2.1 系統圖



## 2.2 配線圖 (標準型 H & C type 適用)

以下為 A510s 變頻器標準型機種之配線圖(◎表示主迴路端子, ○表示控制迴路端子), A510s 依型號不同, 配線端子台的位置及符號會稍有差異。主迴路端子及控制迴路端子說明請參考之後章節內容。

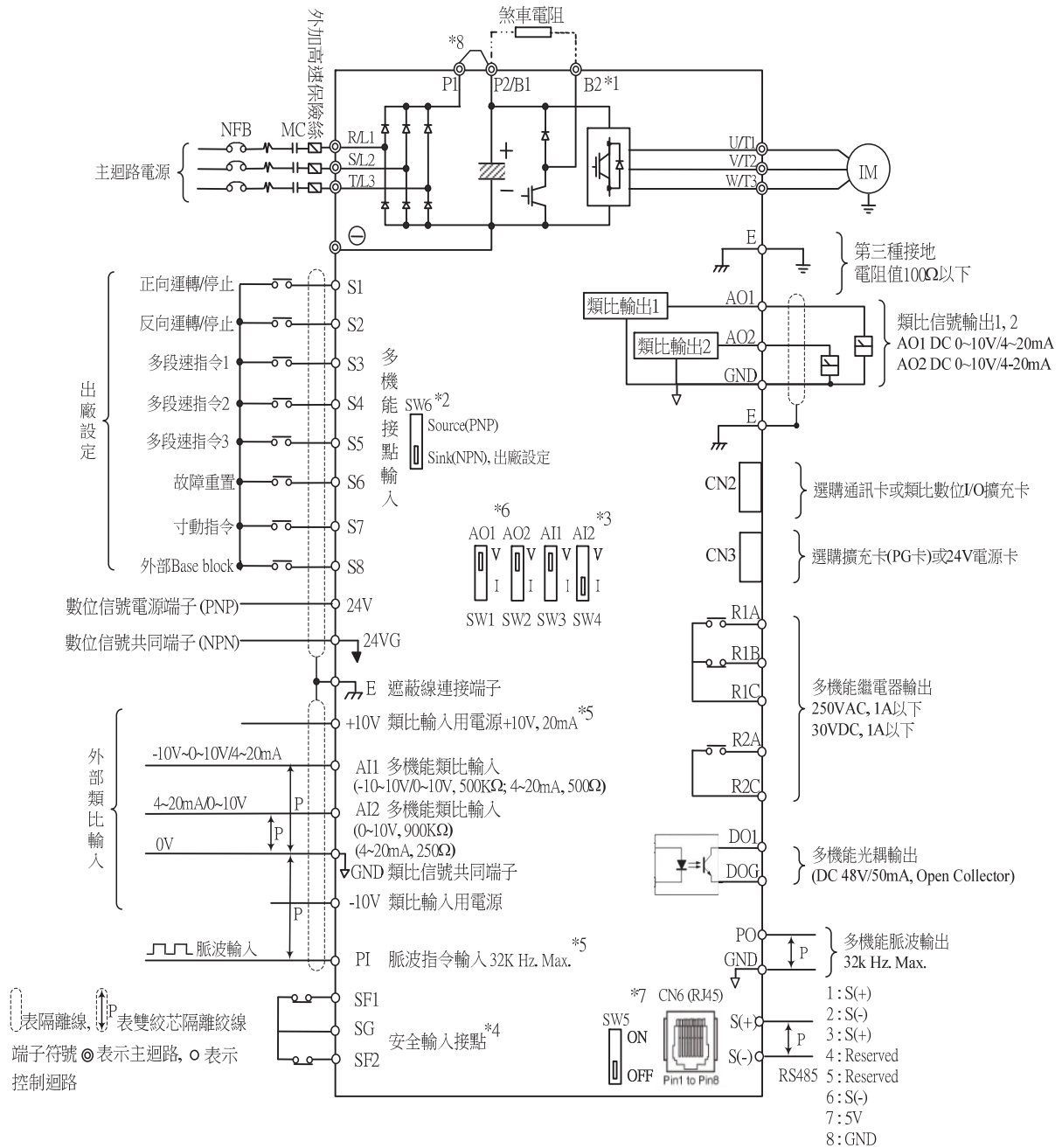


備註說明：

- \*1：僅200V 1~25HP與400V 1~40HP(含)以下容量內建矽晶體機種主迴路提供B2端子, 可直接於B1, B2間連接煞車電阻。
- \*2：多機能數位輸入接點S1~S8, 可透過開關SW3設置成Source(PNP, with +24V common) or Sink(NPN, with 24VG common)。
- \*3：多機能類比輸入2(AI2), 可透過開關SW2設置成電壓命令輸入(0~10V/10~10V)或電流命令輸入(4~20mA), 並請搭配參數04-00設定。
- \*4：安全輸入接點F1, F2間需短接變頻器始可正常輸出, 使用安全輸入時, 請務必拆下F1-F2間的短接線。
- \*5：僅200V 3HP與400V 5HP(含)以上機種, 提供-10V, S(+), S(-), R2A-R2C與PO-GND端子。
- \*6：僅200V 2HP與400V 3HP(含)以下機種, 提供DO2端子。
- \*7：使用開集極輸入方式時, 因有內建pull-up電阻, 外部不需串接電阻。
- \*8：AO2 預設0~10V輸出。
- \*9：RS485終端電阻開關, 在多台變頻器並聯使用時最後一台變頻器需開啟。
- \*10：200V 50~150HP 及 400V 100~425HP 機種內建直流電抗器。

## 2.3 配線圖 (進階型 E & G type 適用)

以下為 A510s 變頻器進階型機種之配線圖(◎表示主回路端子, ○表示控制回路端子), A510s 依型號不同, 配線端子台的位置及符號會稍有差異。主回路端子及控制回路端子說明請參考之後章節內容。



備註說明：

- \*1：僅 200V 1~25HP 與 400V 1~30HP(含)以下容量內建矽晶體機種主回路提供 B2 端子, 可直接於 B1, B2 間連接煞車電阻。
- \*2：多機能數位輸入接點 S1~S8, 可透過開關 SW6 設置成 Source(PNP, with +24V common) or Sink(NPN, with 24VG common)。
- \*3：多機能類比輸入 AI1 / AI2, 可透過開關 SW3 / SW4 設置成電壓命令輸入(0~10V/-10~10V)或電流命令輸入(4~20mA), 並請搭配參數 04-00 設定。
- \*4：安全輸入接點 SF1& SF2 短接 SG 變頻器始可正常輸出, 使用安全輸入時, 請務必拆下 SF1-SG, SF2-SG 間的短接線。
- \*5：使用開集極輸入方式時, 因有內建 pull-up 電阻, 外部不需串接電阻。
- \*6：AO1 / AO2 預設 0~+10V 輸出。
- \*7：RS485 終端電阻開關, 在多台變頻器並聯使用時最後一台變頻器需開啟。
- \*8：僅 200V 3~40HP 與 400V 5~75HP 機種提供 P1, P2 端子, 可在 P1 與 P2 端子之間外接 DCL, 出廠時 P1 與 P2 端子短接。
- \*9：200V 50~150HP 及 400V 100~425HP 機種內建直流電抗器。

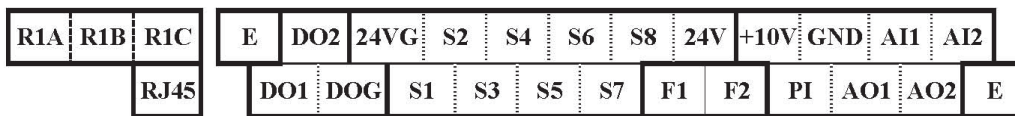
## 2.4 端子機能說明 (標準型 H & C type 適用)

表 1 主回路端子

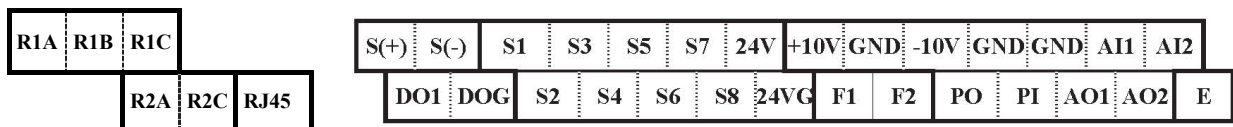
端子記號	200V : 1~25HP 400V : 1~40HP	200V : 30~150HP 400V : 50~425HP
R/L1	主回路電源輸入 (單相輸入, 只接 R-S)	
S/L2		
T/L3		
B1/P	B1/P – B2 : 外接煞車電阻	-
B2		
⊖		⊕ - ⊖ : 接煞車檢出模組
⊕		
U/T1	變頻器輸出	
V/T2		
W/T3		
E	接地端子 (第三種接地)	

### ■ 控制回路端子配置

200V:1~2HP , 400V:1~3HP



200V:3~40HP , 400V:5~75HP



200V:50~150HP , 400V:100~425HP

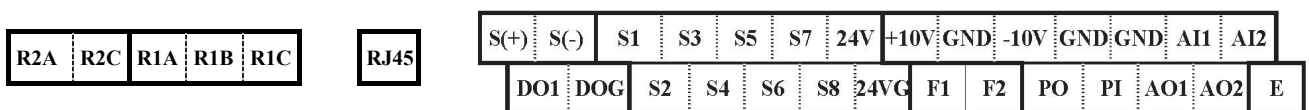


表 2 控制回路端子

種類	端子	端子功能	訊號位準
數位 輸入訊號	S1	二線式正轉/停止 (預設), 多機能輸入端子*1	24 VDC, 8 mA 光耦合隔離 最大電壓 30 Vdc 輸入阻抗 4.22kΩ
	S2	二線式反轉/停止 (預設), 多機能輸入端子*1	
	S3	多段速/位置設定指令 1 (預設), 多機能輸入端子*1	
	S4	多段速/位置設定指令 2 (預設), 多機能輸入端子*1	
	S5	多段速/位置設定指令 3 (預設), 多機能輸入端子*1	
	S6	故障復歸 (預設), 多機能輸入端子*1	
	S7	寸動頻率選擇 (預設), 多機能輸入端子*1	
	S8	遮斷停止(自由運轉停止) (預設), 多機能輸入端子*1	
24V 電源供 應	24V	數位訊號 SOURCE 共同點 (SW3 切至 SOURCE 位置)	±15%, 最大輸出電流 250mA(所 有負載總和)
	24VG	數位訊號共同端子 數位訊號 SINK 共同點 (SW3 切至 SINK 位置)	
類比輸入 訊號	+10V	速度設定用電源	+10V (最大電流, 20mA)
	-10V	僅 220V 3HP/ 440V 5HP(含)以上機種支援此端子功能	-10V (最大電流, 20mA)
	AI1	電壓主速指令(0-10V 輸入)/(-10V~10V 輸入)	0 到 +10V, -10V 到 +10V (輸入阻抗: 20KΩ) (11bit + 1 符號, 解析度)
	AI2	多機能類比輸入*2, 可用 SW2 切換電壓或電流輸入 (0~10V)/(4-20mA)	0 到 +10V, -10V 到 +10V (輸入阻抗:200KΩ) 4 到 20 mA (輸入阻抗: 250Ω) (11 bit + 1 符號, 解析度)
	GND	類比訊號共同端子	----
	E	遮蔽線連接端子 (大地)	----
類比輸出 訊號	AO1	多機能類比輸出端子*3 (0~10V 輸出)	0 到 10V, (最大電流:2mA) 4 到 20 mA (負載< 500Ω) (PWM 10KHz 解析度)
	AO2	多機能類比輸出端子*3 可用 SW6 切換電壓或電流輸出 (0~10V 輸出)/(4-20mA 輸出)	
	GND	類比訊號共同端子	
脈波輸 出訊號	PO	脈波輸出, 頻寬 32KHz, 僅 220V 3HP/ 440V 5HP(含)以 上機種之支援此端子功能	32KHz(max), 開集極輸 出
	GND	類比訊號共同端子	----
脈波輸 入訊號	PI	脈波指令輸入, 頻寬 32KHz	L: 0.0 到 0.5V H: 4.0 到 13.2V 0 - 32 KHz(max) 內建 pull-up 電阻, 使用開 集極輸入時, 可不串接電 阻
	GND	類比訊號共同端子	----
數位 輸出	DO1	多機能(開集極電晶體)輸出: 運轉中, 零速, 頻率一致, 任意頻率一致, 輸出頻率, 準備完成, 低電壓檢出, 輸出 遮斷, 運轉及頻率指令, 過轉矩檢出, 異常, 低電壓, 過 熱, 馬達過負載, 變頻器過負載輸出, 重試中, 通訊異常, 計時機能輸出器...	48Vdc, 2 mA ~50mA 光耦合輸出
	DO2 200V:1HP-2HP 400V:1HP-3HP		
	DOG		



種類	端子	端子功能	訊號位準
繼電器 輸出	R1A	電驛 A 接點 (多機能輸出端子)	端子容量: 在 250Vac, 10 mA~1A 在 30Vdc, 10 mA~1A
	R1B	電驛 B 接點 (多機能輸出端子)	
	R1C	電驛共同端子, 功能與 DO1/DO2 相同	
	R2A-R2C 200V:3HP 以上 400V:5HP 以上	功能與 DO1/DO2 相同	端子容量: 在 250Vac, 10 mA~1A 在 30Vdc, 10 mA~1A
安全輸入	F1	開:以安全輸入自由運轉 關:一般運轉 (使用外部安全開關停止務必將短路線拆除)	24Vdc, 8mA, pull-high
	F2	安全指令共同端子	24V Ground
RS-485 埠	S (+)	RS485/MODBUS	差動輸出入
	S (-)		
接地	E (G)	大地接地 屏蔽連接端子	----

\*1:多機能數位輸入功能,請參閱使用說明書 03 群組- 數位輸入輸出

\*2:多機能類比輸入功能,請參閱使用說明書 04 群組- 外部端子類比輸入輸出功能

\*3:多機能類比輸出功能,請參閱使用說明書 04 群組- 外部端子類比輸入輸出功能



### 注意

- 端子±10V 輸出電流最大容量為 20mA。
- 多機能類比輸出 AO1, AO2 為接電錶專用之類比輸出, 請勿用作回授控制等之類比輸出信號。
- 控制板 24V 與±10V 電源僅供內部控制使用, 請勿外接至其他裝置供電。

## 2.5 端子機能說明 (進階型 E & G type 適用)

表 3 主回路端子

端子記號	200V : 1~30HP 400V : 1~75HP	200V : 40~150HP 400V : 100~425HP
R/L1	主回路電源輸入 (單相輸入, 只接 R-S)	
S/L2		
T/L3		
P1	P2/B1-B2 : 外接煞車電阻 P1-P2/B1 : 外接 DCL (框號 2~框號 5)	-
P2/B1		
B2		
⊖		
⊕		
U/T1	變頻器輸出	
V/T2		
W/T3		
E	接地端子 (第三種接地)	

### ▪ 控制回路端子配置

200V:1~2HP , 400V:1~3HP

R1A	R1B	R1C	R2A	R2C	S(+)	S(-)	S1	S3	S5	S7	24V	24VG	+10V	-10V	GND	GND	AI1	AI2
RJ45				DO1	DOG	S2	S4	S6	S8	SF1	SG	SF2	PO	PI	AO1	AO2	E	

200V:3~40HP , 400V:5~75HP

R1A	R1B	R1C	S(+)	S(-)	S1	S3	S5	S7	24V	24VG	+10V	-10V	GND	GND	AI1	AI2
R2A	R2C	RJ45	DO1	DOG	S2	S4	S6	S8	SF1	SG	SF2	PO	PI	AO1	AO2	E

200V:50~150HP , 400V:100~425HP

R2A	R2C	R1A	R1B	R1C	RJ45	S(+)	S(-)	S1	S3	S5	S7	24V	24VG	+10V	-10V	GND	GND	AI1	AI2
					DO1	DOG	S2	S4	S6	S8	SF1	SG	SF2	PO	PI	AO1	AO2	E	

表 4 控制回路端子

種類	端子	端子功能	訊號位準
數位 輸入訊號	S1	二線式正轉/停止 (預設),多機能輸入端子*1	24 VDC, 8 mA 光耦合隔離(最大電壓 30 Vdc, 輸入阻抗 4.22kΩ)
	S2	二線式反轉/停止 (預設), 多機能輸入端子*1	
	S3	多段速/位置設定指令 1 (預設), 多機能輸入端子*1	
	S4	多段速/位置設定指令 2 (預設), 多機能輸入端子*1	
	S5	多段速/位置設定指令 3 (預設), 多機能輸入端子*1	
	S6	故障復歸 (預設), 多機能輸入端子*1	
	S7	寸動頻率選擇 (預設), 多機能輸入端子*1	
	S8	遮斷停止(自由運轉停止) (預設), 多機能輸入端子*1	
24V 電源供應	24V	數位訊號 SOURCE 共同點 (SW6 切至 SOURCE 位置)	±15%, 最大輸出電流 250mA(所有負載總和)
	24VG	數位訊號共同端子 數位訊號 SINK 共同點 (SW6 切至 SINK 位置)	
類比輸入 訊號	+10V	速度設定用電源	+10V (最大電流, 20mA)
	-10V	速度設定用電源	-10V (最大電流, 20mA)
	AI1	多機能類比輸入*2,可用 SW3 切換電壓或電流輸入 (-10V~10V)/(4-20mA)輸入	0 到 +10V, -10V 到 +10V (輸入阻抗: 500KΩ) 4 到 20 mA (輸入阻抗: 500Ω) (11bit + 1 符號, 解析度)
	AI2	多機能類比輸入*2,可用 SW4 切換電壓或電流輸入 (0~10V)/(4-20mA)	0 到 +10V, (輸入阻抗:900KΩ) 4 到 20 mA (輸入阻抗: 250Ω) (11 bit + 1 符號, 解析度)
	GND	類比訊號共同端子	----
	E	遮蔽線連接端子 (大地)	----
類比輸出 訊號	AO1	多機能類比輸出端子*3 可用 SW1 切換電壓或電流輸出 (0~10V 輸出)/(4-20mA 輸出)	0 到 10V, (最大電流:2mA)
	AO2	多機能類比輸出端子*3 可用 SW2 切換電壓或電流輸出 (0~10V 輸出)/(4-20mA 輸出)	4 到 20 mA (負載< 500Ω)
	GND	類比訊號共同端子	(PWM 10KHz 解析度)
脈波輸出 訊號	PO	脈波輸出, BW 32KHz	32KHz(max), 開集極輸出
	GND	類比訊號共同端子	----
脈波輸入 訊號	PI	脈波指令輸入, 頻寬 32KHz	L: 0.0 到 0.5V H: 4.0 到 13.2V 0 - 32 KHz(max) 內建 pull-up 電阻, 使用開集極輸入時, 可不串接電阻
	GND	類比訊號共同端子	----
數位 輸出	DO1	多機能(開集極電晶體)輸出: 運轉中, 零速, 頻率一致, 任意頻率一致, 輸出頻率, 準備完成, 低電壓檢出, 輸出遮斷, 運轉及頻率指令, 過轉矩檢出, 異常, 低電壓、過熱、馬達過負載、變頻器過負載輸出, 重試中, 通訊異常, 計時機能輸出器...	48Vdc, 2 mA ~50mA 光耦合輸出
	DOG	開集極電晶體共同端子	

種類	端子	端子功能	訊號位準
繼電器輸出	R1A	電驛 A 接點 (多機能輸出端子)	端子容量: 在 250Vac, 10 mA~1A 在 30Vdc, 10 mA~1A
	R1B	電驛 B 接點 (多機能輸出端子)	
	R1C	電驛共同端子, 功能與 DO1 相同	
	R2A-R2C	電驛 A 接點 (多機能輸出端子) 電驛共同端子 功能與 DO1 相同	端子容量: 在 250Vac, 10 mA~1A 在 30Vdc, 10 mA~1A
安全輸入	SF1 SF2	開:以安全輸入自由運轉 關:一般運轉 (使用外部安全開關停止務必將短路線拆除)	24Vdc, 8mA,
	SG	安全指令共同端子	24Vdc
RS-485埠	S (+)	RS485/MODBUS	差動輸出入
	S (-)		
接地	E (G)	大地接地 屏蔽連接端子	----

\*1:多機能數位輸入功能,請參閱使用說明書 03 群組- 數位輸入輸出

\*2:多機能類比輸入功能,請參閱使用說明書 04 群組- 外部端子類比輸入輸出功能

\*3:多機能類比輸出功能,請參閱使用說明書 04 群組- 外部端子類比輸入輸出功能

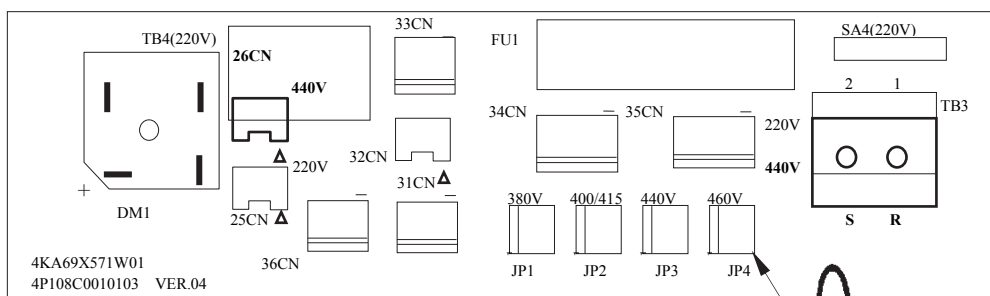
**⚠ 注意**

- 端子±10V 輸出電流最大容量為 20mA。
- 多機能類比輸出 AO1, AO2 為接電錶專用之類比輸出, 請勿用作回授控制等之類比輸出信號。
- 控制板 24V 與±10V 電源僅供內部控制使用, 請勿外接至其他裝置供電。

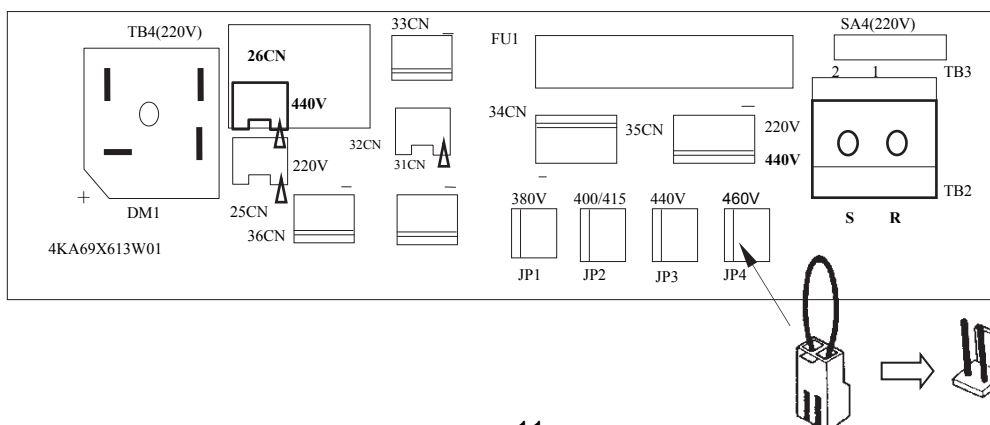
## 2.6 電源電壓選擇基板之設定 (400V 級)

A510s 400V 級機種, 可適用在 380V~480V 之電源電壓系統, 為考慮不同電源電壓會影響變頻器內部交流散熱風扇之散熱能力, 對 150HP~425HP 機種, 當輸入電源電壓非 440V 時, 需將電源電壓選擇基板 (如下圖) 上之電壓選擇插梢插到對應於輸入電源電壓之位置 (標準出廠設定在 400V 位置), 以防因電源電壓太低影響散熱能力而發生過熱跳機。

(1) 400V : 150HP~215HP



(2) 400V : 270HP~425HP



## 第 3 章 軟體索引

### 3.1 參數一覽表

參數群組	名 稱
群組 00	基本功能群組
群組 01	V/F 控制功能群組
群組 02	IM 馬達參數群組
群組 03	外部端子數位輸入輸出功能群組
群組 04	外部端子類比輸入輸出功能群組
群組 05	多段速功能群組
群組 06	自動運轉功能群組
群組 07	運轉停止功能群組
群組 08	保護功能群組
群組 09	通訊功能群組
群組 10	PID 功能群組
群組 11	輔助功能群組
群組 12	監視功能群組
群組 13	維護功能群組
群組 14	PLC 設定群組
群組 15	PLC 監控群組
群組 16	LCD 機能群組
群組 17	自動調校功能群組
群組 18	滑差補償功能群組
群組 19	擺頻功能群組
群組 20	速度控制功能群組
群組 21	轉矩及位置控制功能群組
群組 22	PM 馬達群組

參數屬性	
*1	運轉中可修改的參數
*2	保留
*3	在做出廠設定時，此參數的值(用戶設定的值)不會恢復為出廠預設值
*4	參數唯讀不可修改
*5	需搭配選配卡時，參數才會顯示
*6	僅使用 LED 數位操作器時顯示
*7	僅使用 LCD 數位操作器時顯示
*8	其設定值將依 13-08 之設定而變更
*9	進階型 E type / G type 適用
*10	加裝 I/O 擴充卡後始開放之參數

群組 00 基本功能群組				
代碼	參數名稱	範圍	出廠設定	屬性
00-00	馬達控制模式	0: V/F	0	*3
		1: V/F+PG		
		2: SLV		
		3: SV		
		4: PMSV		
		5: PMSLV		
00-01	馬達轉向	0: 正轉	0	*1
		1: 反轉		
00-02	主運轉命令來源選擇	0: 按鍵面板	1	
		1: 外控		
		2: 通訊控制		
		3: PLC		
00-03	副運轉命令來源選擇	0: 按鍵面板	0 (註 4)	
		1: 外控		
		2: 通訊控制		
		3: PLC		
00-04	語言選擇	0: 英文	0	*7
		1: 簡體中文		
		2: 繁體中文		
		3: 土耳其文		
00-05	主頻率命令來源選擇	0: 按鍵面板	1	
		1: 外控(類比 AI1)		
		2: 端子 UP/DOWN		
		3: 通訊控制		
		4: 脈波輸入		
		5: 保留		
		6: RTC (註 8)		
		7: AI2 輔助頻率		
8: 手搖輪頻率(註 4)				
00-06	副頻率命令來源選擇	0: 按鍵面板	0 (註 4)	
		1: 外控(類比 AI1)		
		2: 端子 UP/DOWN		
		3: 通訊控制		
		4: 脈波輸入		
		5: 保留		
		6: RTC (註 8)		
7: AI2 輔助頻率				
00-07	頻率源組合模式選擇	0: 主頻率源	0	
		1: 主頻率源+副頻率源		
00-08	通訊頻率命令	0.00~599.00	0.00	
00-09	頻率命令記憶模式	0: 不記憶斷電前通訊頻率命令(00-08)	0	
		1: 記憶斷電前通訊頻率命令(00-08)		
00-10	最小頻率檢測動作	0: 低於最小頻率會跳警告	0	註 1
		1: 低於最小頻率以		

群組 00 基本功能群組				
代碼	參數名稱	範圍	出廠設定	屬性
00-11	PID 頻率下限選擇	0: PID 休眠限制頻率下限	0	
		1: PID 休眠限制 0Hz		
00-12	頻率上限	0.1~109.0	100.0	
00-13	頻率下限	0.0~109.0	0.0	
00-14	加速時間 1	0.1~6000.0	*	*1
00-15	減速時間 1	0.1~6000.0	*	*1
00-16	加速時間 2	0.1~6000.0	*	*1
00-17	減速時間 2	0.1~6000.0	*	*1
00-18	寸動頻率****	0.00~599.00	6.00	*1
00-19	寸動加速時間	0.1~0600.0	*	*1
00-20	寸動減速時間	0.1~0600.0	*	*1
00-21	加速時間 3	0.1~6000.0	*	*1
00-22	減速時間 3	0.1~6000.0	*	*1
00-23	加速時間 4	0.1~6000.0	*	*1
00-24	減速時間 4	0.1~6000.0	*	*1
00-25	加減速切換頻率	0.0~599.0	0.0	
00-26	緊急停止時間	0.1~6000.0	5.0	
00-27	HD/ND 模式選擇***	0: HD 重負載模式	0	*3
		1: ND 標準負載模式		
00-28	主頻率命令特性選擇	0: 正特性 (0~10V/4~20mA 對應 0~100%)	0	
		1: 負特性 (0~10V/4~20mA 對應 100~0%)		
00-29	零速工作選擇	0: 依頻率指令運轉	0	
		1: 停止		
		2: 依最低頻率運轉		
00-30~00-31	保留			
00-32	應用調整**	0: 通用	0	
		1: 保留		
		2: 傳送帶專用參數		
		3: 排氣風機專用參數		
		4: 保留		
		5: 空氣壓縮機專用參數		
		6: 捲揚機(昇降用)專用參數**		
		7: 起重機(平移用)專用參數**		
8: 手搖輪專用參數(註 4)				
00-33	變更參數(僅 LCD 可使用)	0: 無效	0	*7
		1: 有效		

群組 00 基本功能群組				
代碼	參數名稱	範圍	出廠設定	屬性
00-34~00-40	保留			
00-41	使用者參數 0	選擇 13-06 = 1，啟動使用者參數設定範圍：00-01~22-31，但 00-41 ~ 00-56 及群組 17 除外 (僅 LCD 可使用)	00-41	*7
00-42	使用者參數 1		00-42	*7
00-43	使用者參數 2		00-43	*7
00-44	使用者參數 3		00-44	*7
00-45	使用者參數 4		00-45	*7
00-46	使用者參數 5		00-46	*7
00-47	使用者參數 6		00-47	*7
00-48	使用者參數 7		00-48	*7
00-49	使用者參數 8		00-49	*7
00-50	使用者參數 9		00-50	*7
00-51	使用者參數 10		00-51	*7
00-52	使用者參數 11		00-52	*7
00-53	使用者參數 12		00-53	*7
00-54	使用者參數 13		00-54	*7
00-55	使用者參數 14		00-55	*7
00-56	使用者參數 15	00-56	*7	
00-57	SV 高速模式	0:SV 高速模式 1 1:SV 高速模式 2	0	

\*: 參考使用說明書內附件一(加減速時間初始值)

\*\*：設定參數 00-32 應用調整前，請先進行 13-08 初始化設定。

警告：如果設定參數 00-32(應用調整)，則輸入輸出端子設定功能將根據設定值自動發生變化，在試運轉前，請先確保變頻器的輸入輸出信號和外部順序控制。如果疏於確認，可能會導致人身事故。

\*\*\* 00-27 若設定為 ND 模式，02 群組的馬達 1 參數會自動變更為大一級的馬達參數。

00-27 設定為 HD 模式，02 群組的馬達 1 參數會自動變更為同級的馬達參數。

00-27 會自動變更馬達參數，因此建議在進行馬達自動調校前設定。

\*\*\*\*馬達最大輸出頻率超過 300Hz 時，頻率解析度為 0.1Hz

群組 01 V/F 控制功能群組				
代碼	參數名稱	範圍	出廠設定	屬性
01-00	V/F 曲線選擇	0~FF	F	*3
01-01		保留		
01-02	馬達 1 最大輸出頻率	4.8~599.0	50.0/ 60.0	*8
01-03	馬達 1 最大輸出電壓	200V: 0.1~255.0 400V: 0.2~510.0	- -	*8
01-04	馬達 1 中間輸出頻率 2	0.0~599.0	0.0	
01-05	馬達 1 中間輸出電壓 2	200V: 0.0~255.0 400V: 0.0~510.0	0.0	*8
01-06	馬達 1 中間輸出	0.0~599.0	3.0	

群組 01 V/F 控制功能群組				
代碼	參數名稱	範圍	出廠設定	屬性
	頻率 1			
01-07	馬達 1 中間輸出電壓 1	200V: 0.0~255.0 400V: 0.0~510.0	*	*8
01-08	馬達 1 最小輸出頻率	0.0~599.0	VF:1.5 VF+P G:1.5 SLV:0.6 SV:0.1 PMSV:0.1 PMSLV:9.0 SLV2:1.0	
01-09	馬達 1 最小輸出電壓	200V: 0.0~255.0 400V: 0.0~510.0	7.5 15.0	*8
01-10	轉矩補償增益	0.0~2.0	0.5	*1
01-11	轉矩補償模式選擇	0: 轉矩補償模式 0 1: 轉矩補償模式 1	0	
01-12	馬達 1 基底頻率	4.8~599.0	50.0/ 60.0	*8
01-13	馬達 1 基底輸出電壓	200V: 0.0~255.0 400V: 0.0~510.0	- -	*8
01-14	輸入電壓設定	200V: 155.0~255.0 400V: 310.0~510.0	- -	*8
01-15	轉矩補償時間	0~10000	200	
01-16	馬達 2 最大輸出頻率	4.8~599.0	50.0/ 60.0	*8
01-17	馬達 2 最大輸出電壓	200V: 0.1~255.0 400V: 0.2~510.0	- -	*8
01-18	馬達 2 中間輸出頻率 2	0.0~599.0	0.0	
01-19	馬達 2 中間輸出電壓 2	200V: 0.0~255.0 400V: 0.0~510.0	0.0	
01-20	馬達 2 中間輸出頻率 1	0.0~599.0	3.0	
01-21	馬達 2 中間輸出電壓 1	200V: 0.0~255.0 400V: 0.0~510.0	KVA	
01-22	馬達 2 最小輸出頻率	0.0~599.0	1.5	
01-23	馬達 2 最小輸出電壓	200V: 0.0~255.0 400V: 0.0~510.0	KVA	
01-24	馬達 2 基底頻率	4.8~599.0	50.0/ 60.0	*8
01-25	馬達 2 基底輸出電壓	200V: 0.0~255.0 400V: 0.0~510.0	- -	*8
01-26	馬達 2 V/F 曲線選擇	0~FF	F	*3

KVA：該參數會隨著不同變頻器的容量大小而不同。

群組 02 IM 馬達參數群組				
代碼	參數名稱	範圍	出廠設定	屬性
02-00	馬達 1 無載電流	0.01~600.00	-	
02-01	馬達 1 額定電流	V/F、V/F+PG 模式為 10%~200% 變頻器額定電流 SLV、SV 模式為 25%~200%變頻器額定電流	-	
02-02	保留			
02-03	馬達 1 額定轉速	0~60000	-	
02-04	馬達 1 額定電壓	200V: 50.0~240.0 400V: 100.0~480.0	-	*8
02-05	馬達 1 額定功率	0.01~600.00	-	
02-06	馬達 1 額定頻率	4.8~599.0	50.0/ 60.0	*8
02-07	馬達 1 極數	2~16(偶數)	4	
02-08	保留			
02-09	馬達 1 激磁電流	15%~70%馬達額定電流	-	
02-10	馬達 1 鐵心飽和係數 1	1~100	-	
02-11	馬達 1 鐵心飽和係數 2	1~100	-	
02-12	馬達 1 鐵心飽和係數 3	80~300	-	
02-13	馬達 1 鐵心損失	0.0~15.0	-	
02-14	保留			
02-15	馬達 1 線間電阻	0.001~60.000	-	
02-16 ~ 02-18	保留			
02-19	馬達 1 無載電壓	200V: 50~240 400V: 100~480	-	
02-20	馬達 2 無載電流	0.01~600.00	-	
02-21	馬達 2 額定電流	10%~200%變頻器額定電流	-	
02-22	馬達 2 額定轉速	0~60000	-	
02-23	馬達 2 額定電壓	200V: 50.0~240.0 400V: 100.0~480.0	-	*8
02-24	馬達 2 額定功率	0.01~600.00	-	
02-25	馬達 2 額定頻率	4.8~599.0	50.0/ 60.0	*8
02-26	馬達 2 極數	2~16(偶數)	4	
02-27 ~ 02-31	保留			
02-32	馬達 2 線間電阻	0.001~60.000	-	
02-33	馬達 1 漏感比例	0.1~15.0	3.4	
02-34	馬達 1 滑差頻率	0.10~20.00	1.00	
02-35 ~ 02-36	保留			

群組 02 IM 馬達參數群組				
代碼	參數名稱	範圍	出廠設定	屬性
02-37	馬達機械損	0.0~10.0	4.0	

群組 03 外部端子數位輸入輸出功能群組				
代碼	參數名稱	範圍	出廠設定	屬性
03-00	多功能端子 S1 功能設定	0: 二線式正轉/停止	0	
		1: 二線式反轉/停止		
		2: 多段速/位置設定指令 1		
		3: 多段速/位置設定指令 2		
		4: 多段速/位置設定指令 3		
		5: 多段速/位置設定指令 4		
03-01	多功能端子 S2 功能設定	6: 寸動正轉指令	1	
		7: 寸動反轉指令		
		8: UP 增頻率指令		
		9: DOWN 減頻率指令		
		10: 加減速時間選擇 1		
		11: 加減速禁止		
		12: 主副運轉切換功能		
03-02	多功能端子 S3 功能設定	13: 主副頻率切換功能	2	
		14: 緊急停止(減速到零停止)		
		15: 遮斷停止(自由運轉停止)		
		16: PID 功能禁止		
		17: 故障復歸(RESET)		
		18: 保留		
03-03	多功能端子 S4 功能設定	19: 速度搜尋 1(從最大頻率)	3	
		20: 手動省能源功能		
		21: PID 積分復歸		
		22: 保留		
		23: 保留		
03-04	多功能端子 S5 功能設定	24: PLC 輸入	4	
		25: 外部故障		
		26: 三線式正轉/反轉		
		27: 本體/遠端選擇		
		28: 遠端模式選擇		
		29: 寸動頻率選擇		
		30: 加減速時間選擇 2		
		31: 變頻器過熱預警		
		32: 同步指令		
		33: 直流剎車		



群組 03 外部端子數位輸入輸出功能群組					
代碼	參數名稱	範圍	出廠設定	屬性	
		34: 速度搜尋 2(從頻率指令)			
		35: 計時功能輸入			
		36: PID 軟啟動無效			
03-05	多功能端子 S6 功能設定	37: 擺頻運轉	17		
		38: 擺頻上偏移			
		39: 擺頻下偏移			
		40: 馬達 1/馬達 2 切換			
		41: PID 休眠			
		42: PG 無效			
		43: PG 積分復歸			
03-06	多功能端子 S7 功能設定	44: 速度/轉矩模式切換	兩線式:29 三線式:26		
		45: 負轉矩指令			
		46: 零速伺服			
		47: 火災模式(強制運轉模式)			
		48: KEB 加速			
		49: 允許參數寫入			
		50: 送電後直接運轉保護(USP)			
03-07	多功能端子 S8 功能設定	51: 多段速與多點定位命令切換	15		
		52: 位置命令致能			
		53: 二線式自保 (停止指令)			
		54: 保留			
		55: RTC 時間致能			註 8
		56: RTC 偏移致能			註 8
		57: 保留			
		58: 安全機能			
		59~61: 保留			
		62: EPS 輸入			
		63~64: 保留			
65: 短路煞車指令	註 1				
66: PID 功能禁止 2	註 4				
67: 手搖輪模式切換	註 4				
68: 外部故障 2	註 4				
69: 外部過載	註 4				
03-08	(S1~S8)DI 掃描時間	0: 掃描時間 4ms 1: 掃描時間 8ms	1		
03-09	多功能端子 S1-S4 類型選擇	xxx0b:S1 A 接點	0000 b		
		xxx1b:S1 B 接點			
		xx0xb:S2 A 接點			
		xx1xb:S2 B 接點			
		x0xxb:S3 A 接點			
		x1xxb:S3 B 接點			
03-10	多功能端子	0xxx b:S4 A 接點	0000		
		1xxx b:S4 B 接點			
03-10	多功能端子	xxx0b:S5 A 接點	0000		

群組 03 外部端子數位輸入輸出功能群組								
代碼	參數名稱	範圍	出廠設定	屬性				
	S5-S8 類型選擇	xxx1b:S5 B 接點	b					
		xx0xb:S6 A 接點						
		xx1xb:S6 B 接點						
		x0xxb:S7 A 接點						
		x1xxb:S7 B 接點						
		0xxx b:S8 A 接點						
		1xxx b:S8 B 接點						
03-11	繼電器 (R1A-R1C)輸出	0: 運轉期間	1 (註 4)					
		1: 故障指示						
		2: 頻率到達						
		3: 任意頻率到達 (03-13±03-14)						
		4: 頻率檢出 1 (輸出頻率≥(03-13+03-14))						
		5: 頻率檢出 2 (輸出頻率≤(03-13+03-14))						
		6: 自動再啟動						
		7~8: 保留						
		9: 遮斷停止						
		10~11: 保留						
		12: 過轉矩檢出						
		13: 電流到達						
		14: 機械煞車控制 (03-17~18)						
		15~17: 保留						
		18: PLC 狀態*						
		19: PLC 控制*						
		03-12			繼電器 (註) (R2A-R2C)輸出	20: 零速	0 (註 4)	
						21: 變頻器待命		
						22: 低電壓檢出		
23: 運轉指令來源								
24: 頻率指令來源								
25: 低轉矩檢出								
26: 頻率斷線								
27: 計時功能輸出								
28: 擺頻向上偏移狀態								
29: 擺頻動作中								
30: 選擇馬達 2								
31: 零速伺服狀態 (位置模式)								
32: 通訊控制								
33: RTC 計時器 1	註 8							
34: RTC 計時器 2	註 8							
35: RTC 計時器 3	註 8							
36: RTC 計時器 4	註 8							
37: PID 回授斷線偵測輸出								

群組 03 外部端子數位輸入輸出功能群組				
代碼	參數名稱	範圍	出廠設定	屬性
		38: 煞車釋放		
		39: 頻率檢出 1(天車專用)		
		40: 頻率輸出中		
		41: 位置到達(位置模式)		
		42~44: 保留		
		45: PID 休眠		
		46~49: 保留		
		50: 頻率檢出 3 (輸出頻率 $\geq$ (03-44+03-45))		
		51: 頻率檢出 4 (輸出頻率 $\leq$ (03-44+03-45))		
		52: 頻率檢出 5 (輸出頻率 $\geq$ (03-46+03-47))		
		53: 頻率檢出 6 (輸出頻率 $\leq$ (03-46+03-47))		
		54: 短路煞車中		註 1
		55~56: 保留		
		57: 低電流檢出		註 2
		58: 頻率減速偵測		註 4
		59: 過溫度檢出		註 4
03-13	頻率檢測準位	0.0~599.0	0.0	
03-14	頻率檢測寬度	0.1~25.5	2.0	
03-15	電流到達準位	0.1~999.9	0.1	
03-16	電流到達檢測延遲時間	0.1~10.0	0.1	
03-17	*機械煞車釋放準位設定	0.00~599.00	0.00	
03-18	*機械煞車動作準位設定	0.00~599.00	0.00	
03-19	繼電器(R1-R4)類型選擇	xxx0b: R1 A 接點 xxx1b: R1 B 接點 xx0xb: R2 A 接點 xx1xb: R2 B 接點 0xxx b: R4 A 接點 1xxx b: R4 B 接點	0000 b	*10
03-20	繼電器(R4A-R4C)輸出	範圍和定義和 03-11, 03-12 相同	2	*10
03-21	光耦輸出(DO2-DOG)	範圍和定義和 03-11, 03-12 相同	3	*10
03-22 ~ 03-26	保留			
03-27	UP/DOWN 頻率保持選擇	0: 停止時保持 UP/DOWN 頻率 1: 停止時清除 UP/DOWN 頻率 2: 停止時允許頻率	0	

群組 03 外部端子數位輸入輸出功能群組				
代碼	參數名稱	範圍	出廠設定	屬性
		UP/DOWN 3: 加速時更新頻率。		
03-28	光耦輸出(DO1-DOG)	範圍和定義和 03-11, 03-12 相同	0	
03-29	光耦輸出類型選擇(DO1-DOG)(DO2-DOG)	xxx0b:光耦 1A 接點 xxx1b:光耦 1B 接點 xx0xb:光耦 2A 接點 xx1xb:光耦 2B 接點	0000 b	*10
03-30	脈波輸入選擇	0:一般脈波輸入 1:PWM 方式	0	
03-31	脈波輸入刻度	依 03-30 設定調整 03-30 設定 0: 50~32000Hz 03-30 設定 1: 10~1000Hz	1000	*1
03-32	脈波輸入增益	0.0~1000.0	100	*1
03-33	脈波輸入偏壓	-100.0~100.0	0.0	*1
03-34	脈波輸入濾波時間	0.00~2.00	0.1	*1
03-35	脈波輸出功能設定	1: 頻率指令 2: 輸出頻率 3: 軟啟動後的輸出頻率 4: 馬達速度 5: PID 回授 6: PID 輸入 7: PG 輸出(需搭配 PG 卡)	2	*1
03-36	脈波輸出刻度	1~32000	1000	*1
03-37	計時器 ON 延遲(DI/DO)	0.0~6000.0	0.0	
03-38	計時器 OFF 延遲(DI/DO)	0.0~6000.0	0.0	
03-39	保留			
03-40	Up/Down 頻率幅寬設定	0.00~5.00	0.00	
03-41	轉矩檢測準位	0~150	10	
03-42	煞車動作延遲時間	0.00~65.00	0.00	
03-43	UP/DOWN 加/減速選擇	0:加減速時間 1 1:加減速時間 2	0	
03-44	頻率檢測準位 2	0.0~599.0	0.0	
03-45	頻率檢測寬度 2	0.1~25.5	2.0	
03-46	頻率檢測準位 3	0.0~599.0	0.0	
03-47	頻率檢測寬度 3	0.1~25.5	2.0	
03-48	低電流檢出準位	0.0~999.9	0.1	註 2
03-49	低電流檢出延遲時間	0.00~655.34(註 4)	0.01	註 2
03-50	頻率檢測準位 4	0.0~599.0	0.0	註 3
03-51	頻率檢測準位 5	0.0~599.0	0.0	註 3
03-52	頻率檢測準位 6	0.0~599.0	0.0	註 3

群組 03 外部端子數位輸入輸出功能群組				
代碼	參數名稱	範圍	出廠設定	屬性
03-53	電流到達準位 2	0.0~999.9	0.1	註 4

\* : 馬達最大輸出頻率超過 300Hz 時, 頻率解析度為 0.1Hz

註: 標準型 H & C type 之框號 1 機種(200V 級 1~2HP 及 400V 級 1~3HP)之 DO2 功能由 03-12 設定

群組 04 外部端子類比輸入輸出功能群組				
代碼	參數名稱	範圍	出廠設定	屬性
04-00	AI 輸入信號種類	0: AI1: 0~10V AI2: 0~10V	1	
		1: AI1: 0~10V AI2: 4~20mA		
		2: AI1: -10~10V AI2: 0~10V		
		3: AI1: -10~10V AI2: 4~20mA		
		4: AI1: 4~20mA AI2: 0~10V		
		5: AI1: 4~20mA AI2: 4~20mA		*9
				*9
04-01	AI1 信號掃描濾波時間	0.00~2.00	0.03	
04-02	AI1 增益值	0.0~1000.0	100.0	*1
04-03	AI1 偏壓值	-100.0~100.0	0	*1
04-04	AI 負特性	0: 無效	0	註 4
		1: 有效		
04-05	AI2 功能設定	0: 輔助頻率	0	
		1: 頻率增益		
		2: 頻率偏壓		
		3: 電壓偏壓		
		4: 加減速縮短係數		
		5: 直流剎車電流		
		6: 過轉矩偵測準位		
		7: 運轉中失速準位		
		8: 頻率下限		
		9: 跳躍頻率 4		
		10: 加到 AI1		
		11: 正轉矩限制		
		12: 負轉矩限制		
		13: 回昇轉矩限制		
		14: 正/負轉矩限制		
		15: 轉矩命令/轉矩限制		
		16: 轉矩命令/轉矩補償		
17: PTC 過熱保護				

群組 04 外部端子類比輸入輸出功能群組				
代碼	參數名稱	範圍	出廠設定	屬性
04-06	AI2 信號掃描濾波時間	0.00~2.00	0.03	
04-07	AI2 增益值	0.0~1000.0	100.0	*1
04-08	AI2 偏壓值	-100.0~100.0	0	*1
04-09	I/O 卡之 AI 輸入信號種類	0: AI3: 0~10V	0	*10
		1: AI3: -10~10V		
		2: AI3: 4~20mA		
04-10	AI3 功能設定	範圍和定義和 04-05 相同	10	*10
04-11	AO1 功能設定	0: 輸出頻率	0	
		1: 頻率指令		
		2: 輸出電壓		
		3: 直流電壓		
		4: 輸出電流		
		5: 輸出功率		
		6: 馬達速度		
		7: 輸出功因		
		8: AI1 輸入		
		9: AI2 輸入		
		10: 轉矩命令		
		11: q 軸電流		
		12: d 軸電流		
		13: 速度偏差		
		14: 保留		
		15: ASR 輸出		
		16: 保留		
		17: q 軸電壓		
		18: d 軸電壓		
		19~20: 保留		
		21: PID 輸入		
		22: PID 輸出		
		23: PID 目標值		
		24: PID 回授值		
		25: 軟啟動器的輸出頻率		
		26: PG 回授		
		27: 保留		
		28: 通訊控制		
04-12	AO1 增益值	0.0~1000.0	100.0	*1
04-13	AO1 偏壓值	-100.0~100.0	0	*1
04-14	保留			
04-15	保留			
04-16	AO2 功能設定	範圍和定義和 04-11 相同	3	
04-17	AO2 增益值	0.0~1000.0	100.0	*1
04-18	AO2 偏壓值	-100.0~100.0	0	*1
04-19	AO 輸出信號種類	0: AO1 0~10V AO2 0~10V	0	
		1: AO1 0~10V AO2 4~20mA		
		2: AO1 4~20mA AO2 0~10V		
				*9

群組 04 外部端子類比輸入輸出功能群組				
代碼	參數名稱	範圍	出廠設定	屬性
		3: AO1 4~20mA AO2 4~20mA		*9
04-20	AO 信號掃瞄濾波時間	0.00~0.50	0.00	*1
04-21	AI3 信號掃瞄濾波時間	0.00~2.00	0.03	*10
04-22	AI3 增益值	0.0~1000.0	100.0	*10
04-23	AI3 偏壓值	-100.0~100.0	0	*10

群組 05 多段速功能群組				
代碼	參數名稱	範圍	出廠設定	屬性
05-15	*第 14 段速頻率設定	0.00~599.00	5.00	*1
05-16	*第 15 段速頻率設定	0.00~599.00	5.00	*1
05-17	多段速 0 加速時間設定	0.1~6000.0	10.0	
05-18	多段速 0 減速時間設定	0.1~6000.0	10.0	
05-19	多段速 1 加速時間設定	0.1~6000.0	10.0	
05-20	多段速 1 減速時間設定	0.1~6000.0	10.0	
05-21	多段速 2 加速時間設定	0.1~6000.0	10.0	
05-22	多段速 2 減速時間設定	0.1~6000.0	10.0	
05-23	多段速 3 加速時間設定	0.1~6000.0	10.0	
05-24	多段速 3 減速時間設定	0.1~6000.0	10.0	
05-25	多段速 4 加速時間設定	0.1~6000.0	10.0	
05-26	多段速 4 減速時間設定	0.1~6000.0	10.0	
05-27	多段速 5 加速時間設定	0.1~6000.0	10.0	
05-28	多段速 5 減速時間設定	0.1~6000.0	10.0	
05-29	多段速 6 加速時間設定	0.1~6000.0	10.0	
05-30	多段速 6 減速時間設定	0.1~6000.0	10.0	
05-31	多段速 7 加速時間設定	0.1~6000.0	10.0	
05-32	多段速 7 減速時間設定	0.1~6000.0	10.0	
05-33	多段速 8 加速時間設定	0.1~6000.0	10.0	
05-34	多段速 8 減速時間設定	0.1~6000.0	10.0	
05-35	多段速 9 加速時間設定	0.1~6000.0	10.0	
05-36	多段速 9 減速時間設定	0.1~6000.0	10.0	
05-37	多段速 10 加速時間設定	0.1~6000.0	10.0	
05-38	多段速 10 減速時間設定	0.1~6000.0	10.0	
05-39	多段速 11 加速時間設定	0.1~6000.0	10.0	
05-40	多段速 11 減速時間設定	0.1~6000.0	10.0	
05-41	多段速 12 加速時	0.1~6000.0	10.0	

群組 05 多段速功能群組				
代碼	參數名稱	範圍	出廠設定	屬性
05-00	多段速加減速模式選擇	0: 段速加減速時間由加減速時間 1~4 設定 1: 段速加減速時間獨立設定	0	
05-01	*第 0 段速頻率設定	0.00~599.00	5.00	*1
05-02	*第 1 段速頻率設定	0.00~599.00	5.00	*1
05-03	*第 2 段速頻率設定	0.00~599.00	10.00	*1
05-04	*第 3 段速頻率設定	0.00~599.00	20.00	*1
05-05	*第 4 段速頻率設定	0.00~599.00	30.00	*1
05-06	*第 5 段速頻率設定	0.00~599.00	40.00	*1
05-07	*第 6 段速頻率設定	0.00~599.00	50.00	*1
05-08	*第 7 段速頻率設定	0.00~599.00	50.00	*1
05-09	*第 8 段速頻率設定	0.00~599.00	5.00	*1
05-10	*第 9 段速頻率設定	0.00~599.00	5.00	*1
05-11	*第 10 段速頻率設定	0.00~599.00	5.00	*1
05-12	*第 11 段速頻率設定	0.00~599.00	5.00	*1
05-13	*第 12 段速頻率設定	0.00~599.00	5.00	*1
05-14	*第 13 段速頻率設定	0.00~599.00	5.00	*1

群組 05 多段速功能群組				
代碼	參數名稱	範圍	出廠設定	屬性
	間設定			
05-42	多段速 12 減速時間設定	0.1~6000.0	10.0	
05-43	多段速 13 加速時間設定	0.1~6000.0	10.0	
05-44	多段速 13 減速時間設定	0.1~6000.0	10.0	
05-45	多段速 14 加速時間設定	0.1~6000.0	10.0	
05-46	多段速 14 減速時間設定	0.1~6000.0	10.0	
05-47	多段速 15 加速時間設定	0.1~6000.0	10.0	
05-48	多段速 15 減速時間設定	0.1~6000.0	10.0	

\* 馬達最大輸出頻率超過 300Hz 時，頻率解析度為 0.1Hz

群組 06 自動運轉功能群組				
代碼	參數名稱	範圍	出廠設定	屬性
	設定			
06-02	*第 2 段運轉頻率設定	0.00~599.00	10.00	*1
06-03	*第 3 段運轉頻率設定	0.00~599.00	20.00	*1
06-04	*第 4 段運轉頻率設定	0.00~599.00	30.00	*1
06-05	*第 5 段運轉頻率設定	0.00~599.00	40.00	*1
06-06	*第 6 段運轉頻率設定	0.00~599.00	50.00	*1
06-07	*第 7 段運轉頻率設定	0.00~599.00	50.00	*1
06-08	*第 8 段運轉頻率設定	0.00~599.00	5.00	*1
06-09	*第 9 段運轉頻率設定	0.00~599.00	5.00	*1
06-10	*第 10 段運轉頻率設定	0.00~599.00	5.00	*1
06-11	*第 11 段運轉頻率設定	0.00~599.00	5.00	*1
06-12	*第 12 段運轉頻率設定	0.00~599.00	5.00	*1
06-13	*第 13 段運轉頻率設定	0.00~599.00	5.00	*1
06-14	*第 14 段運轉頻率設定	0.00~599.00	5.00	*1
06-15	*第 15 段運轉頻率設定	0.00~599.00	5.00	*1
06-16	第 0 段運轉時間設定	0.0~6000.0	0.0	*1
06-17	第 1 段運轉時間設定	0.0~6000.0	0.0	*1
06-18	第 2 段運轉時間設定	0.0~6000.0	0.0	*1
06-19	第 3 段運轉時間設定	0.0~6000.0	0.0	*1
06-20	第 4 段運轉時間設定	0.0~6000.0	0.0	*1
06-21	第 5 段運轉時間設定	0.0~6000.0	0.0	*1
06-22	第 6 段運轉時間設定	0.0~6000.0	0.0	*1
06-23	第 7 段運轉時間設定	0.0~6000.0	0.0	*1
06-24	第 8 段運轉時間設定	0.0~6000.0	0.0	*1
06-25	第 9 段運轉時間設定	0.0~6000.0	0.0	*1
06-26	第 10 段運轉時間設定	0.0~6000.0	0.0	*1
06-27	第 11 段運轉時間	0.0~6000.0	0.0	*1

群組 06 自動運轉功能群組				
代碼	參數名稱	範圍	出廠設定	屬性
06-00	自動運轉模式選擇	0: 無效	0	
		1: 執行單一週期運轉模式，停止後會由停止前的速度繼續運轉		
		2: 連續週期運轉模式，停止後會由停止前的速度繼續運轉		
		3: 單一週期結束後，以最後一段運轉速度繼續運轉，停止後會由停止前的速度繼續運轉		
		4: 執行單一週期運轉模式，停止後會從第零段速起開始運轉		
		5: 連續週期運轉模式，停止後會從第零段速起開始運轉		
		6: 單一週期結束後，以最後一段運轉速度繼續運轉，停止後會從第零段速起開始運轉		
06-01	*第 1 段運轉頻率	0.00~599.00	5.00	*1

群組 06 自動運轉功能群組				
代碼	參數名稱	範圍	出廠設定	屬性
	設定			
06-28	第 12 段運轉時間設定	0.0~6000.0	0.0	*1
06-29	第 13 段運轉時間設定	0.0~6000.0	0.0	*1
06-30	第 14 段運轉時間設定	0.0~6000.0	0.0	*1
06-31	第 15 段運轉時間設定	0.0~6000.0	0.0	*1
06-32	第 0 段運轉方向選擇	0: 停止 1: 正轉 2: 反轉	0	
06-33	第 1 段運轉方向選擇	0: 停止 1: 正轉 2: 反轉	0	
06-34	第 2 段運轉方向選擇	0: 停止 1: 正轉 2: 反轉	0	
06-35	第 3 段運轉方向選擇	0: 停止 1: 正轉 2: 反轉	0	
06-36	第 4 段運轉方向選擇	0: 停止 1: 正轉 2: 反轉	0	
06-37	第 5 段運轉方向選擇	0: 停止 1: 正轉 2: 反轉	0	
06-38	第 6 段運轉方向選擇	0: 停止 1: 正轉 2: 反轉	0	
06-39	第 7 段運轉方向選擇	0: 停止 1: 正轉 2: 反轉	0	
06-40	第 8 段運轉方向選擇	0: 停止 1: 正轉 2: 反轉	0	
06-41	第 9 段運轉方向選擇	0: 停止 1: 正轉 2: 反轉	0	
06-42	第 10 段運轉方向選擇	0: 停止 1: 正轉 2: 反轉	0	
06-43	第 11 段運轉方向選擇	0: 停止 1: 正轉 2: 反轉	0	
06-44	第 12 段運轉方向選擇	0: 停止 1: 正轉 2: 反轉	0	
06-45	第 13 段運轉方向選擇	0: 停止 1: 正轉 2: 反轉	0	
06-46	第 14 段運轉方向選擇	0: 停止 1: 正轉 2: 反轉	0	
06-47	第 15 段運轉方向選擇	0: 停止 1: 正轉 2: 反轉	0	

\* 馬達最大輸出頻率超過 300Hz 時，頻率解析度為 0.1Hz

群組 07 運轉停止功能群組				
代碼	參數名稱	範圍	出廠設定	屬性
07-00	瞬停再啟動選擇	0: 瞬停再啟動無效 1: 瞬停再啟動有效	0	
07-01	自動復歸再啟動時間	0~7200	0	
07-02	自動復歸再啟動次數	0~10	0	
07-03	保留			
07-04	開機後直接啟動	0: 外部運轉命令有效時，送電後直接啟動 1: 外部運轉命令有效時，送電後不可直接啟動	1	
07-05	開機直接啟動延時	1.0~300.0	3.5	
07-06	煞車開始頻率	0.0~10.0	0.5	
07-07	直流煞車電流準位	0~100	50	
07-08	停止時直流制動時間	0.00~100.00	0.50	
07-09	停止模式選擇	0: 減速停止 1: 自由運轉停止 2: 全領域直流煞車停止 3: 有計時器的自由運轉停止	0	
07-10 ~ 07-12	保留			
07-13	低壓檢測準位	200V 機種: 150~300 400V 機種: 250~600	190 380	
07-14	預激磁時間	0.00~10.00	2.00	
07-15	預激磁準位	50~200	100	
07-16	啟動時直流制動時間	0.00~100.00	0.00	
07-17	保留			
07-18	最小遮斷時間	0.1~5.0	-	
07-19	轉向尋找電流	0~100	50	
07-20	速度尋找電流	0~100	20	
07-21	速度尋找積分時間	0.1~10.0	2.0	
07-22	速度尋找延遲時間	0.0~20.0	0.2	
07-23	電壓回復時間	0.1~5.0	2.0	
07-24	雙向速度尋找選擇	0: 無效 1: 有效	1	
07-25	低壓檢測時間	0.00~1.00	0.02	
07-26	SLV 自由運轉停止後啟動方式選擇	0: 速度尋找啟動 1: 正常啟動	0	
07-27	SLV 故障後啟動	0: 速度尋找啟動	0	

群組 07 運轉停止功能群組				
代碼	參數名稱	範圍	出廠設定	屬性
	方式選擇	1: 正常啟動		
07-28	遮斷後啟動方式選擇	0: 速度尋找啟動 1: 正常啟動	0	
07-29	直流煞車動作時運轉指令選擇	0: 過程中不允許啟動 1: 過程中允許啟動	0	
07-30	低壓準位選擇	0: 無效 1: 有效	0	
07-31	*低壓運轉頻率	0.00~599.00	10.00	
07-32	速度搜尋模式選擇	0: 無效 1: Mode1: 開機後執行一次速度搜尋 2: Mode2: 每次執行速度搜尋	0	
07-33	速度搜尋開始頻率選擇	0: 馬達最大輸出頻率 1: 頻率指令	0	
07-34	啟動時短路煞車時間	0.00~100.00	0.00	註 1
07-35	停止時短路煞車時間	0.00~100.00	0.50	註 1
07-36	短路煞車電流限制	0.0~200.0	100.0	註 1
07-37 ~ 07-41	保留			
07-42	電壓限制增益	0.0~50.0	0	註 2
07-43	PM 速度搜尋短路煞車時間	0.00~100.00	0.00	註 3
07-44	PM 速度搜尋直流煞車時間	0.00~100.00	0.00	註 3
07-45	STP2 機能選擇	0: 致能 STP2 1: 取消 STP2	0	註 4
07-46	直流注入電流限制	0~150	100	註 5
07-47	PM 速度切換頻率模式	0: 無效 1: 模式 1 2: 模式 2	0	註 8

註：07-13 低壓檢測準位 440V 機種需將 07-30 低壓準位選擇設定為有效，下限才調整至 250V。此應用於電梯機能搭配 EPS 系統(Emergency power supply 緊急電源供給)使用。

\*：馬達最大輸出頻率超過 300Hz 時，頻率解析度為 0.1Hz

群組 08 保護功能群組				
代碼	參數名稱	範圍	出廠設定	屬性
08-00	失速防止功能	xxx0b: 加速時失速防止有效 xxx1b: 加速時失速防止無效 xx0xb: 減速時失速防止有效 xx1xb: 減速時失速防止無效 x0xxb: 運轉中失速防止有效 x1xxb: 運轉中失速防止無效 0xxxb: 運轉中失速防止依據第一段減速時間 1xxxb: 運轉中失速防止依據第二段減速時間	0000b	
08-01	加速失速防止準位	20~200	HD:150 ND:120	
08-02	減速失速防止準位	200V: 330V~410V 400V: 660V~820V	385V 770V	
08-03	運轉中失速防止準位	30~200	HD:160 ND:120	
08-04	保留			
08-05	馬達過載(OL1)保護選擇	xxx0b: 馬達過載無效 xxx1b: 馬達過載有效 xx0xb: 馬達過載冷啟動 xx1xb: 馬達過載熱啟動 x0xxb: 標準馬達 x1xxb: 變頻馬達 0xxxb: 保留 1xxxb: 保留	0001b	
08-06	過載(OL1)保護動作啟動方式	0: 過載保護後停止輸出 1: 過載保護後繼續運轉	0	
08-07	馬達過載(OL1)保護準位	0: 馬達過載(OL1)保護 0 1: 馬達過載(OL1)保護 1 2: 馬達過載(OL1)保護 2	0	註 2
08-08	自動穩壓功能(AVR)	0: 有效 1: 無效	0	
08-09	輸入欠相保護選擇	0: 無效 1: 有效	0	
08-10	輸出欠相保護選擇	0: 無效 1: 有效	0	

群組 08 保護功能群組				
代碼	參數名稱	範圍	出廠設定	屬性
08-11 ~ 08-12	保留			
08-13	過轉矩檢測選擇	0: 過轉矩偵測無效 1: 到達設定頻率後開始偵測 2: 運轉中即偵測	0	
08-14	過轉矩動作選擇	0: 檢出後減速停止 1: 檢出後顯示警告, 繼續運轉 2: 檢出後自由運轉停止	0	
08-15	過轉矩檢測準位	0~300	150	
08-16	過轉矩檢測時間	0.0~10.0	0.1	
08-17	低轉矩檢測選擇	0: 低轉矩偵測無效 1: 到達設定頻率後開始偵測 2: 運轉中即偵測	0	
08-18	低轉矩動作選擇	0: 檢出後減速停止 1: 檢出後顯示警告, 繼續運轉 2: 檢出後自由運轉停止	0	
08-19	低轉矩檢測準位	0~300	30	
08-20	低轉矩檢測時間	0.0~10.0	0.1	
08-21	加速失速防止限制	1~100	50	
08-22	運轉失速檢測時間	2~100	100	
08-23	接地故障(GF)選擇	0: 無效 1: 有效	0	
08-24	外部故障工作選擇	0: 減速停止 1: 自由運轉停止 2: 繼續運轉	0	
08-25	外部故障檢測選擇	0: 送電後即偵測 1: 運轉中才即偵測	0	
08-26 ~ 08-29	保留			
08-30	安全機能選擇	0: 減速停止 1: 自由運轉停止	0	
08-31 ~ 08-34	保留			
08-35	馬達過熱故障選擇	0: 無效 1: 減速停止 2: 自由運轉停止 3: 持續運轉	0	
08-36	PTC 輸入濾波時間常數	0.00 ~ 5.00	2.00	
08-37	風扇控制機能	0: 運轉時啟動 1: 永遠啟動 2: 高溫時啟動 (註)	0	

群組 08 保護功能群組				
代碼	參數名稱	範圍	出廠設定	屬性
08-38	風扇關閉延遲時間	0~600	60	
08-39	馬達過熱保護延遲時間	0~300	60	
08-40	馬達 2 加速失速防止準位	20~200	HD:150 ND:120	
08-41	馬達 2 加速失速防止限制	1~100	50	
08-42	PTC 保護準位	0~10.0V	0.7	
08-43	PTC 復歸準位	0~10.0V	0.3	
08-44	PTC 警告準位	0~10.0V	0.5	
08-45	保留			
08-46	過溫保護準位	0~254	0	註 4
08-47	過溫復歸準位	0~254	0	註 4
08-48	火災模式選擇	0: 無效 1: 有效	0	註 4
08-49	火災模式數位輸入類型	0: 斷電復歸 1: 端子移除復歸	0	註 4
08-50	火災模式數位端子狀態	XXX0B: S6 A 接點 XXX1B: S6 B 接點	0000b	註 4
08-51	火災模式馬達轉速選擇	0: 火災模式運轉 1: PID 頻率命令 2: AI2 頻率命令	0	註 4
08-52	火災模式馬達轉速	0~100.00	100.00	註 4
08-53	火災模式 PID 偵測準位	0~100	0	註 4
08-54	火災模式 PID 斷線延遲	0~10.0	1.0	註 4
08-55	火災模式 PID 斷線動作選擇	0: 當前速度 1: 火災模式速度 (08-52) 2: 馬達 1 最大頻率 (01-02)	1	註 4
08-56	火災模式 AI2 式偵測準位	0.0~100.0	80.0	註 4
08-57	火災模式 AI2 模式斷線延遲	0.0~10.0	1.0	註 4
08-58	火災模式 AI2 模式斷線動作選擇	0: 當前速度 1: 火災模式速度 (08-52) 2: 馬達 1 最大頻率 (01-02)	1	註 4
08-59	火災模式馬達方向	0: 正轉 1: 反轉	0	註 4
08-60	火災模式密碼	0~65534	0	註 4

註：200V 50HP 以上與 400V 100HP 以上機種無高溫時啟動風扇控制選項



群組 09 通訊功能群組				
代碼	參數名稱	範圍	出廠設定	屬性
09-00	變頻器通訊站別	1~31	1	*3
09-01	通訊模式選擇	0: MODBUS	0	*3
09-02	波特率設定 (bps)	0:1200	4	*3
		1:2400		
		2:4800		
		3:9600		
		4:19200		
5:38400				
09-03	停止位元選擇	0: 1 停止位元 1: 2 停止位元	0	*3
09-04	奇偶位元選擇	0: 無奇偶位	0	*3
		1: 偶位元選擇		
		2: 奇位元選擇		
09-05	通訊資料位元選擇	0: 8 位元資料	0	*3
		1: 7 位元資料		
09-06	通訊異常檢測時間	0.0~25.5	0.0	*3
09-07	故障停止選擇	0: 通訊故障後依減速時間 1 減速停止	3	*3
		1: 通訊故障後自由運轉停止		
		2: 通訊故障後依減速時間 2 減速停止		
		3: 通訊故障後繼續運轉		
09-08	通訊容錯次數	1~20	1	*3
09-09	等待時間	5~65	5	*3
09-10	保留			

\*3 : 09 群組不受 13-08 初始化影響

群組 10 PID 功能群組				
代碼	參數名稱	範圍	出廠設定	屬性
10-00	PID 目標值來源設定	1:A11 給定	1	
		2:A12 給定		
		3:脈波給定		
		4:10-02 給定		
		5:保留		
		6:頻率指令(00-05)		
10-01	PID 回授值來源設定	1:A11 給定	2	
		2:A12 給定		
		3:脈波給定		
10-02	PID 目標值	0.00~100.00	0.00	*1
10-03	PID 控制模式	xxx0b: PID 無效	0000b	
		xxx1b: PID 有效		
		xx0xb: PID 正特性		
		xx1xb: PID 負特性		

群組 10 PID 功能群組				
代碼	參數名稱	範圍	出廠設定	屬性
		x0xxb: PID 誤差值 D 控制		
		x1xxb: PID 回授值 D 控制		
		0xxxb: PID 輸出		
		1xxxb: PID 輸出+頻率命令		
10-04	回授增益	0.01~10.00	1.00	*1
10-05	比例增益(P)	0.00~10.00	1.00	*1
10-06	積分時間(I)	0.00~100.00	1.00	*1
10-07	微分時間(D)	0.00~10.00	0.00	*1
10-08	AI1 頻率限制	0.00~599.00	0	註 2
10-09	PID 偏壓	-100.0~100.0	0	*1
10-10	PID 輸出延遲時間	0.00~10.00	0.00	*1
10-11	PID 回授斷線檢測	0: 無效	0	
		1: 警告		
		2: 故障		
10-12	PID 回授斷線檢測準位	0~100	0	
10-13	PID 回授斷線檢測時間	0.0~10.0	1.0	
10-14	PID 積分限制	0.0~100.0	100.0	*1
10-15	PID 變化模式	0~2	0	註 2
10-16	PID 變化刻度	0~100	0	註 2
10-17	*PID 休眠起始頻率	0.00~599.00	0.00	
10-18	PID 休眠延遲時間	0.0~255.5	0.0	
10-19	*PID 喚醒起始頻率	0.00~599.00	0.00	
10-20	PID 喚醒延遲時間	0.0~255.5	0.0	
10-21	保留			
10-22	保留			
10-23	PID 輸出限制	0.00~100.0	100.0	*1
10-24	PID 輸出增益	0.0~25.0	1.0	
10-25	PID 反向輸出選擇	0: 不允許反向輸出	0	
		1: 允許反向輸出		
10-26	PID 目標加/減速時間	0.0~25.5	0.0	
10-27	PID 回授顯示偏壓	0~9999	0	
10-28	保留			
10-29	PID 休眠選擇	0: 無效	1	
		1: 有效		
		2: 由 DI 設定		
10-30	PID 目標上限	0.0 ~ 100.0	100.0	
10-31	PID 目標下限	0.0 ~ 100.0	0.0	
10-32	保留			
10-33	PID 回授最大值	1 ~ 10000	999	
10-34	PID 小數寬度	0 ~ 4	1	

群組 10 PID 功能群組				
代碼	參數名稱	範圍	出廠設定	屬性
10-35	PID 單位	0 : %	0	*7
		1 : FPM		
		2 : CFM		
		3 : SPI		
		4 : GPH		
		5 : GPM		
		6 : IN		
		7 : FT		
		8 : /s		
		9 : /m		
		10 : /h		
		11 : °F		
		12 : inW		
		13 : HP		
		14 : m/s		
		15 : MPM		
		16 : CMM		
		17 : W		
		18 : KW		
		19 : m		
		20 : °C		
		21 : RPM		
		22 : Bar		
		23 : Pa		
24 : KPa				
10-36	PID2 比例增益(P)	0.00~10.00	3.00	註 2
10-37	PID2 積分時間(I)	0.00~100.00	0.50	註 2
10-38	PID2 微分時間(D)	0.00~10.00	0.00	註 2
10-39	*PID 斷線輸出頻率設定	00.00~599.00	30.00	
10-40	PID 休眠補償頻率選擇	0:無效	0	
		1:有效		
10-41	PID 模式切換	0:一般 PID	0	註 2
		1:D 型 PID		
10-42 ~ 10-46	保留			
10-47	比例增益 3(P)	0.00~10.00	1.00	註 4
10-48	積分時間 3(I)	0.00~100.00	1.00	註 4
10-49	微分時間 3(D)	0.00~10.00	0.00	註 4

\* : 馬達最大輸出頻率超過 300Hz 時, 頻率解析度為 0.1Hz

群組 11 輔助功能群組				
代碼	參數名稱	範圍	出廠設定	屬性
11-00	馬達方向鎖定指令	0: 允許正反轉	0	
		1: 只允許正轉		
		2: 只允許反轉		
11-01	載波頻率	0: 載波隨輸出頻率調整	*	*1
		1~16: 1~16KHz		
11-02	軟調變選擇	0: 無效	0	
		1: 軟調變 1		
		2: 軟調變 2		
11-03	自動降載波選擇	0: 無效	0	
		1: 有效		
11-04	加速開始 S 曲線時間設定	0.00~2.50	0.20	
11-05	加速結束 S 曲線時間設定	0.00~2.50	0.20	
11-06	減速開始 S 曲線時間設定	0.00~2.50	0.20	
11-07	減速結束 S 曲線時間設定	0.00~2.50	0.20	
11-08	跳躍頻率 1	0.0~599.0	0.0	
11-09	跳躍頻率 2	0.0~599.0	0.0	
11-10	跳躍頻率 3	0.0~599.0	0.0	
11-11	跳躍頻率寬度	0.0~25.5	1.0	
11-12	手動省能增益	0~100	80	
11-13	自動退回時間	0~120	60	*1
11-14 ~ 11-17	保留			
11-18	手動省能頻率	0.0~599.0	0.00	
11-19	自動省能功能	0:自動省能無效	0	
		1:自動省能有效		
11-20	自動省能濾波時間	0~200	140	
11-21	省能調整電壓上限	0~100	100	
11-22	省能調整時間	0~5000	20	*1
11-23	省能偵測準位	0~100	10	
11-24	自動省能係數	0.00~655.34(註 4)	-	
11-25 ~ 11-27	保留			
11-28	過壓防止 2 頻率增益	1~200	100	
11-29	自動降輸出頻率選擇	0: 無效	0	
		1: 有效		
11-30	可變載波頻率最大限制	2~16	-	
11-31	可變載波頻率最小限制	1~16	-	
11-32	可變載波頻率增益	00~99	00	
11-33	DC 電壓濾波上升量	0.1~10.0	0.1	*1

群組 11 輔助功能群組				
代碼	參數名稱	範圍	出廠設定	屬性
11-34	DC 電壓濾波下降量	0.1~10.0	5.0	*1
11-35	DC 電壓濾波死域準位	0.0~99.0	10.0	*1
11-36	過壓防止頻率增益	0.000~1.000	0.050	*1
11-37	**過壓防止頻率限制	*0.00~599.00	5.00	
11-38	過壓防止減速開始電壓	200V: 200~400V 400V: 400~800V	300 700	
11-39	過壓防止減速停止電壓	200V: 300~400V 400V: 600~800V	350 750	
11-40	過壓防止選擇	0:無效 1:過壓防止模式 1 2:過壓防止模式 2 3:過壓防止模式 3	0	
11-41	參考頻率消失檢測選擇	0: 參考頻率消失時，減速停止 1: 參考頻率消失時，依 11-42 的設定運轉	0	
11-42	參考頻率消失時的頻率命令	0.0~100.0	80.0	
11-43	啟動時鎖定頻率	0.0~599.0	0.0	
11-44	啟動時頻率鎖定時間	0.0~10.0	0.0	
11-45	停止時鎖定頻率	0.0~599.0	0.0	
11-46	停止時頻率鎖定時間	0.0~10.0	0.0	
11-47	KEB 減速時間	0.0~25.5	0.0	*1
11-48	KEB 檢測準位	200V: 190~210 400V: 380~420	200 400	
11-49	零伺服增益	0.01~5.00	1.00	
11-50	零伺服計數	0~4096	12	
11-51	零速煞車選擇	0: 零速直流煞車無效 1: 零速直流煞車有效	0	
11-52	下垂(Droop)控制準位	0.0~100.0%	0.0	*1
11-53	下垂(Droop)控制延遲	0.01~2.00	0.2	*1
11-54	累計能量初始化	0: 不清除累計能量 1: 清除累計能量	0	*1
11-55	STOP 鍵選擇	0: 運轉指令不由操作器提供時，停止鍵無效 1: 運轉指令不由操作器提供時，停止鍵有效	1	
11-56	UP/DOWN 選擇	0: 操作器 UP/DOWN	0	


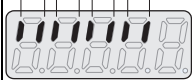

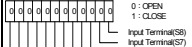
群組 11 輔助功能群組				
代碼	參數名稱	範圍	出廠設定	屬性
		效，修改頻率後需按 ENTER 才有效 1: 操作器 UP/DOWN 有效，修改頻率後立刻有效		
11-57		保留		
11-58	記錄參考頻率	0: 無效 1: 有效	0	*1
11-59	防止振盪增益	0.00~2.50	*	
11-60	防止振盪上限	0~100	*	
11-61	防止振盪時間參數	0~100	0	
11-62	防止振盪選擇	0:模式 1 1:模式 2 2:模式 3	1	
11-63	強磁選擇	0: 無效 1: 有效	1	
11-64	加速速率調整增益	0.1~10.0	1.0	
11-65	目標主迴路電壓	200V: 200V~400V 400V: 400V~800V	370 740	
11-66	調變模式切換起始頻率	6.00~60.00	20	註 2
11-67	軟調變 2 偵測範圍	0~12000	0	註 2
11-68	軟調變 2 偵測起始頻率	6.00~60.00	20	註 2
11-69	防止振盪增益	0.00~200.00	5.00	註 1
11-70	防止振盪上限	0.01~100.00	5.00	註 1
11-71	防止振盪時間常數	0~30000	100	註 1
11-72	防止振盪增益切換頻率 1	0.01~300.00	30.00	註 1
11-73	防止振盪增益切換頻率 2	0.01~300.00	50.00	註 1
11-76	下垂(Droop)頻率準位 1	0.00~599.00	0.00	註 4
11-77	下垂(Droop)頻率準位 2	0.00~599.00	0.00	註 4
11-78	下垂(Droop)轉矩偏移量	0.00~100.00	0.00	註 4

\*: 請參考使用說明書內之附件一

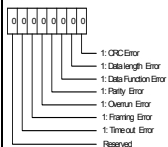
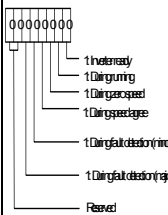
\* : 馬達最大輸出頻率超過 300Hz 時，頻率解析度為 0.1Hz

註：11-01 運轉中修改載波頻率範圍為 1~16KHz

群組 12 監視功能群組				
代碼	參數名稱	範圍	出廠設定	屬性
12-00	顯示畫面選擇 (LED)	00000~77777 由最左位數起，依序為按 DSP 鍵後會顯示的畫面 0:不顯示 1:輸出電流 2:輸出電壓 3:DC bus 電壓 4:heatsink 溫度* 5:PID 回授 6:AI1 值 7:AI2 值	00321 (註 4)	*1 *6
12-01	PID 反饋顯示模式 (LED)	0:以整數顯示反饋值(xxx) 1:以小數點 1 位顯示反饋值(xx.x) 2:以小數點 2 位顯示反饋值(x.xx)	0	*6
12-02	PID 反饋顯示單位設定 (LED)	0:xxxxx (無單位) 1:xxxPb(壓力) 2:xxxFL(流量)	0	*6
12-03	線速度顯示(LED)	0~60000	1500/1800	*6
12-04	線速度顯示模式 (LED)	0:顯示變頻器輸出頻率 1:以整數顯示線速度(xxxxx) 2:以小數點 1 位元顯示線速度(xxxx.x) 3:以小數點 2 位元顯示線速度(xxx.xx) 4:以小數點 3 位元顯示線速度(xx.xxx)	0	*1 *6

群組 12 監視功能群組				
代碼	參數名稱	範圍	出廠設定	屬性
12-05	顯示數位輸入輸出端子狀態 (LED/LCD)	LED 顯示如下 無任何輸入輸出時  有輸入輸出時之對應 S1 S2 S3 S4 S5 S6 S7 S8  R1 R2 DO1 PLC  LCD 顯示如下  0: OPEN 1: CLOSE Input Terminal(S8) Input Terminal(S7) Input Terminal(S6) Input Terminal(S5) Input Terminal(S4) Input Terminal(S3) Input Terminal(S2) Input Terminal(S1) Output Terminal(PLC) Output Terminal(DO1) Output Terminal(R2) Output Terminal(R1)	-	-
12-06 ~ 12-10	保留			
12-11	目前故障時之輸出電流	顯示目前故障時的輸出電流	-	-
12-12	目前故障時之輸出電壓	顯示目前故障時的輸出電壓	-	-
12-13	目前故障時之輸出頻率	顯示目前故障時的輸出頻率	-	-
12-14	目前故障時之直流電壓	顯示目前故障時的直流電壓	-	-
12-15	目前故障時之頻率命令	顯示目前故障時的頻率命令	-	-
12-16	頻率命令	LED 進入此參數時，只允許監控頻率命令	-	-
12-17	輸出頻率	顯示目前的輸出頻率	-	-
12-18	輸出電流	顯示目前的輸出電流	-	-
12-19	輸出電壓	顯示目前的輸出電壓	-	-
12-20	直流電壓(Vdc)	顯示目前的直流電壓	-	-
12-21	輸出功率 (kw)	顯示目前的輸出功率	-	-
12-22	馬達速度 (rpm)	顯示目前的馬達速度 VF/SLV 模式時 馬達速度 = 輸出頻率 × $\frac{120}{\text{馬達極數}}$	-	-

群組 12 監視功能群組				
代碼	參數名稱	範圍	出廠設定	屬性
		PG/SV/PMSV 模式時，依回授頻率估算馬達速度 (馬達速度(rpm)最大上限為 65535)		
12-23	輸出功率因數 (Pfo)	顯示目前的輸出功因	-	
12-24	控制模式	顯示控制模式 0：VF 1：PG 2：SLV 3：SV 4：PSV 5：PMSLV 6：SLV2	-	
12-25	AI1 輸入	顯示目前的 AI1 輸入(-10V 對應 -100%，10V 對應 100%)	-	
12-26	AI2 輸入	顯示目前的 AI2 輸入(0V 或 4mA 對應 0%，10V 或 20mA 對應 100%)	-	
12-27	馬達轉矩	顯示目前的轉矩命令(100% 對應馬達轉矩)	-	
12-28	馬達轉矩電流 (Iq)	顯示目前的 q 軸電流	-	
12-29	馬達激磁電流 (Id)	顯示目前的 d 軸電流	-	
12-30	ASR 偏差量	顯示速度控制器的偏差量 (速度命令 - 回授速度) (100% 對應 01-02 設定的最大頻率)	-	
12-31	保留			
12-32	ASR 輸出	顯示速度控制器的輸出值 (100% 對應 01-02 設定的最大頻率)	-	
12-33	PG 反饋	顯示速度控制器的速度回授值 (100% 對應 01-02 設定的最大頻率)	-	
12-34	PG 脈波數	顯示速度控制器的脈波數	-	註 4
12-35	零伺服脈波數	顯示 SV 位置模式時，零速伺服的位置誤差脈波數 (一圈的脈波數是 20-27 設定值的四倍)	-	
12-36	PID 控制輸入	顯示 PID 控制器的誤差輸入 (PID 目標值 - PID 回授) (100% 對應 01-02	-	

群組 12 監視功能群組				
代碼	參數名稱	範圍	出廠設定	屬性
		或 01-16 設定的最大頻率)		
12-37	PID 輸出	顯示 PID 控制器的輸出 (100% 對應 01-02 或 01-16 設定的最大頻率)	-	
12-38	PID 設定	顯示 PID 控制器的目標值 (100% 對應 01-02 或 01-16 設定的最大頻率)	-	
12-39	PID 回授	顯示 PID 控制器的回授值 (100% 對應 01-02 或 01-16 設定的最大頻率)	-	
12-40	保留			
12-41	變頻器溫度顯示	顯示散熱片或 IGBT 的溫度**	*	
12-42	RS-485 錯誤碼		-	
12-43	變頻器狀態		-	
12-44	脈波輸入頻率	顯示脈波輸入的頻率值	-	
12-45	最近故障訊息	顯示目前故障的訊息	-	
12-46	前一次故障訊息	顯示前一次故障的訊息	-	
12-47	前二次故障訊息	顯示前二次故障的訊息	-	
12-48	前三次故障訊息	顯示前三次故障的訊息	-	
12-49	前四次故障訊息	顯示前四次故障的訊息	-	
12-50	目前故障時之 DI/DO 狀態	顯示目前故障的 DI/DO 狀態，說明如同 12-05	-	
12-51	目前故障時之變頻器狀態	顯示目前故障時的變頻器狀態，說明如同 12-43	-	
12-52	目前故障時之跳脫時間 1	顯示目前故障時的運轉時間，12-53 為其天數，12-52 為其不滿一天的小時數	-	
12-53	目前故障時之跳脫時間 2		-	

群組 12 監視功能群組				
代碼	參數名稱	範圍	出廠設定	屬性
12-54	前一次故障頻率命令	顯示上一次故障時的頻率命令	-	
12-55	前一次故障輸出頻率	顯示上一次故障時的輸出頻率	-	
12-56	前一次故障輸出電流	顯示上一次故障時的輸出電流	-	
12-57	前一次故障輸出電壓	顯示上一次故障時的輸出電壓	-	
12-58	前一次故障直流電壓	顯示上一次故障時的直流電壓	-	
12-59	前一次故障 DI/DO 狀態	顯示上一次故障的 DI/DO 狀態，說明如同 12-05	-	
12-60	前一次故障變頻器狀態	顯示上一次故障時的變頻器狀態，說明如同 12-43	-	
12-61	上一次故障時之跳脫時間 1	顯示上一次故障時的運轉時間，12-62 為其天數，12-61 為其不滿一天的小時數	-	
12-62	上一次故障時之跳脫時間 2		-	
12-63	最近警告訊息	顯示目前的警告訊息	-	
12-64	前一次警告訊息	顯示前一次的警告訊息	-	
12-65	馬達起始角度	0~360	-	
12-66	編碼器角度	0~360	-	
12-67	累計能量(KW hr)	0.0 ~ 999.9		
12-68	累計能量(MW hr)	0 ~ 60000		
12-69		保留		
12-70		保留		
12-71		保留		
12-72	RTC 日期	12.01.01 ~ 99.12.31	12.01.01	註 8
12-73	RTC 時間	00:00 ~ 23:59	00:00	註 8
12-76	實際無載電壓	0.0~600.0	-	
12-77		保留		
12-78	Z 相偏差值	-9999~9999	-	
12-79	脈波輸入百分比	0.0~100.0	-	
12-80	AI1 頻率命令	0.0~599.0	0	註 2
12-81		保留		
12-82	馬達負載	0~200.0	-	註 4
12-85	AI3 輸入	顯示目前的 AI3 輸入 (-10V 對應 -100%，0V 或 4mA 對應 0%，10V 或 20mA 對應 100%)	-	*10

\*: 請參考使用說明書內之附件一

\*\*A510s 220V 50HP 以上(含 50HP) 及 440V 100HP 以上 (含 100HP) 不支援散熱片溫度顯示機能

群組 13 維護功能群組				
代碼	參數名稱	範圍	出廠設定	屬性
13-00	變頻器馬力數	----	-	*4
13-01	軟體版本	0.00-9.99	-	*4
13-02	累計工作時間清除功能	0: 不清除累計工作時間 1: 清除累計工作時間	0	*1
13-03	累計工作時間 1	0~23	-	*4
13-04	累計工作時間 2	0~65534 (註 4)	-	*4
13-05	累計工作時間選擇	0: 通電時累積時間 1: 運轉時累積時間	0	*1
13-06	參數鎖定	0: 13-06 及主頁面頻率 05-01 之外的所有參數不可寫 1: 使用者定義參數 2: 所有參數可寫	2	*1
13-07	密碼功能	00000~65534	00000	註 2
13-08	恢復出廠設定	0: 不初始化 2: 2 線式初始化 (60Hz) (220/440V) 3: 3 線式初始化 (60Hz) (220/440V) 4: 2 線式初始化 (50Hz) (230/415V) 5: 3 線式初始化 (50Hz) (230/415V) 6: 2 線式初始化 (50Hz) (200/380V) 7: 3 線式初始化 (50Hz) (200/380V) 8: PLC 初始化 9: 2 線式初始化 (60Hz) (230V/460V) 10: 3 線式初始化 (60Hz) (230/460V) 11: 2 線式初始化 (60Hz) (230/400V) 12: 3 線式初始化 (60Hz) (230/400V) 13: 2 線式初始化 (50Hz) (230/400V) 14: 3 線式初始化 (50Hz) (230/400V) 15: 2 線式初始化	-	

群組 13 維護功能群組				
代碼	參數名稱	範圍	出廠設定	屬性
		(50Hz)(220/380V) (註 4)		
		16: 3 線式初始化 (50Hz)(220/380V) (註 4)		
13-09	故障履歷清除功能	0: 不清除故障履歷 1: 清除故障履歷	0	*1
13-10	密碼功能 2	0 ~ 9999	0	
13-11	C/B CPLD 軟體版本	0.00~9.99	-	
13-12	選配卡 Id	0~255	0	*5
13-13	選配卡 CPLD 軟體版本	0.00~9.99	-	*5
13-14	故障儲存選擇	0: 自動復歸再啟動的故障訊息不儲存於故障履歷 1: 自動復歸再啟動的故障訊息儲存於故障履歷	1	
13-15 ~ 13-20	保留			
13-21	前一次故障訊息	顯示前一次故障的訊息	-	註 1
13-22	前二次故障訊息	顯示前二次故障的訊息	-	註 1
13-23	前三次故障訊息	顯示前三次故障的訊息	-	註 1
13-24	前四次故障訊息	顯示前四次故障的訊息	-	註 1
13-25	前五次故障訊息	顯示前五次故障的訊息	-	註 1
13-26	前六次故障訊息	顯示前六次故障的訊息	-	註 1
13-27	前七次故障訊息	顯示前七次故障的訊息	-	註 1
13-28	前八次故障訊息	顯示前八次故障的訊息	-	註 1
13-29	前九次故障訊息	顯示前九次故障的訊息	-	註 1
13-30	前十次故障訊息	顯示前十次故障的訊息	-	註 1
13-31	前十一次故障訊息	顯示前十一次故障的訊息	-	註 1
13-32	前十二次故障訊息	顯示前十二次故障的訊息	-	註 1
13-33	前十三次故障訊息	顯示前十三次故障的訊息	-	註 1
13-34	前十四次故障訊息	顯示前十四次故障的訊息	-	註 1
13-35	前十五次故障訊息	顯示前十五次故障的訊息	-	註 1
13-36	前十六次故障訊息	顯示前十六次故障的訊息	-	註 1

群組 13 維護功能群組				
代碼	參數名稱	範圍	出廠設定	屬性
	息	的訊息		
13-37	前十七次故障訊息	顯示前十七次故障的訊息	-	註 1
13-38	前十八次故障訊息	顯示前十八次故障的訊息	-	註 1
13-39	前十九次故障訊息	顯示前十九次故障的訊息	-	註 1
13-40	前二十次故障訊息	顯示前二十次故障的訊息	-	註 1
13-41	前二十一次故障訊息	顯示前二十一次故障的訊息	-	註 1
13-42	前二十二次故障訊息	顯示前二十二次故障的訊息	-	註 1
13-43	前二十三次故障訊息	顯示前二十三次故障的訊息	-	註 1
13-44	前二十四次故障訊息	顯示前二十四次故障的訊息	-	註 1
13-45	前二十五次故障訊息	顯示前二十五次故障的訊息	-	註 1
13-46	前二十六次故障訊息	顯示前二十六次故障的訊息	-	註 1
13-47	前二十七次故障訊息	顯示前二十七次故障的訊息	-	註 1
13-48	前二十八次故障訊息	顯示前二十八次故障的訊息	-	註 1
13-49	前二十九次故障訊息	顯示前二十九次故障的訊息	-	註 1
13-50	前三十次故障訊息	顯示前三十次故障的訊息	-	註 1

註:LCD 主頻率設定頁面為 12-16，等同於第 0 段速頻率指令 05-01。

群組 14 PLC 設定群組				
代碼	參數名稱	範圍	出廠設定	屬性
14-00	T1 設定值 1	0~9999	0	註 6
14-01	T1 設定值 2 (模式 7)	0~9999	0	註 6
14-02	T2 設定值 1	0~9999	0	註 6
14-03	T2 設定值 2 (模式 7)	0~9999	0	註 6
14-04	T3 設定值 1	0~9999	0	註 6
14-05	T3 設定值 2 (模式 7)	0~9999	0	註 6
14-06	T4 設定值 1	0~9999	0	註 6
14-07	T4 設定值 2 (模式 7)	0~9999	0	註 6
14-08	T5 設定值 1	0~9999	0	註 6
14-09	T5 設定值 2 (模式 7)	0~9999	0	註 6

群組 14 PLC 設定群組				
代碼	參數名稱	範圍	出廠設定	屬性
14-10	T6 設定值 1	0~9999	0	註 6
14-11	T6 設定值 2 (模式 7)	0~9999	0	註 6
14-12	T7 設定值 1	0~9999	0	註 6
14-13	T7 設定值 2 (模式 7)	0~9999	0	註 6
14-14	T8 設定值 1	0~9999	0	註 6
14-15	T8 設定值 2 (模式 7)	0~9999	0	註 6
14-16	C1 設定值	0~65534 (註 4)	0	註 6
14-17	C2 設定值	0~65534 (註 4)	0	註 6
14-18	C3 設定值	0~65534 (註 4)	0	註 6
14-19	C4 設定值	0~65534 (註 4)	0	註 6
14-20	C5 設定值	0~65534 (註 4)	0	註 6
14-21	C6 設定值	0~65534 (註 4)	0	註 6
14-22	C7 設定值	0~65534 (註 4)	0	註 6
14-23	C8 設定值	0~65534 (註 4)	0	註 6
14-24	AS1 設定值 1	0~65534 (註 4)	0	註 6
14-25	AS1 設定值 2	0~65534 (註 4)	0	註 6
14-26	AS1 設定值 3	0~65534 (註 4)	0	註 6
14-27	AS2 設定值 1	0~65534 (註 4)	0	註 6
14-28	AS2 設定值 2	0~65534 (註 4)	0	註 6
14-29	AS2 設定值 3	0~65534 (註 4)	0	註 6
14-30	AS3 設定值 1	0~65534 (註 4)	0	註 6
14-31	AS3 設定值 2	0~65534 (註 4)	0	註 6
14-32	AS3 設定值 3	0~65534 (註 4)	0	註 6
14-33	AS4 設定值 1	0~65534 (註 4)	0	註 6
14-34	AS4 設定值 2	0~65534 (註 4)	0	註 6
14-35	AS4 設定值 3	0~65534 (註 4)	0	註 6
14-36	MD1 設定值 1	0~65534 (註 4)	1	註 6
14-37	MD1 設定值 2	0~65534 (註 4)	1	註 6
14-38	MD1 設定值 3	0~65534 (註 4)	1	註 6
14-39	MD2 設定值 1	0~65534 (註 4)	1	註 6
14-40	MD2 設定值 2	0~65534 (註 4)	1	註 6
14-41	MD2 設定值 3	0~65534 (註 4)	1	註 6
14-42	MD3 設定值 1	0~65534 (註 4)	1	註 6
14-43	MD3 設定值 2	0~65534 (註 4)	1	註 6
14-44	MD3 設定值 3	0~65534 (註 4)	1	註 6
14-45	MD4 設定值 1	0~65534 (註 4)	1	註 6
14-46	MD4 設定值 2	0~65534 (註 4)	1	註 6
14-47	MD4 設定值 3	0~65534 (註 4)	1	註 6

群組 15 PLC 監控群組				
代碼	參數名稱	範圍	出廠設定	屬性
15-00	T1 目前值 1	0~9999	0	
15-01	T1 目前值 2 (模式 7)	0~9999	0	
15-02	T2 目前值 1	0~9999	0	
15-03	T2 目前值 2 (模式 7)	0~9999	0	
15-04	T3 目前值 1	0~9999	0	
15-05	T3 目前值 2 (模式 7)	0~9999	0	
15-06	T4 目前值 1	0~9999	0	
15-07	T4 目前值 2 (模式 7)	0~9999	0	
15-08	T5 目前值 1	0~9999	0	
15-09	T5 目前值 2 (模式 7)	0~9999	0	
15-10	T6 目前值 1	0~9999	0	
15-11	T6 目前值 2 (模式 7)	0~9999	0	
15-12	T7 目前值 1	0~9999	0	
15-13	T7 目前值 2 (模式 7)	0~9999	0	
15-14	T8 目前值 1	0~9999	0	
15-15	T8 目前值 2 (模式 7)	0~9999	0	
15-16	C1 目前值	0~65534 (註 4)	0	
15-17	C2 目前值	0~65534 (註 4)	0	
15-18	C3 目前值	0~65534 (註 4)	0	
15-19	C4 目前值	0~65534 (註 4)	0	
15-20	C5 目前值	0~65534 (註 4)	0	
15-21	C6 目前值	0~65534 (註 4)	0	
15-22	C7 目前值	0~65534 (註 4)	0	
15-23	C8 目前值	0~65534 (註 4)	0	
15-24	AS1 計算結果	0~65534 (註 4)	0	
15-25	AS2 計算結果	0~65534 (註 4)	0	
15-26	AS3 計算結果	0~65534 (註 4)	0	
15-27	AS4 計算結果	0~65534 (註 4)	0	
15-28	MD1 計算結果	0~65534 (註 4)	0	
15-29	MD2 計算結果	0~65534 (註 4)	0	
15-30	MD3 計算結果	0~65534 (註 4)	0	
15-31	MD4 計算結果	0~65534 (註 4)	0	
15-32	TD 目前值	0~65534 (註 4)	0	



群組 16 LCD 功能群組				
代碼	參數名稱	範圍	出廠設定	屬性
16-00	主螢幕監看	5~82 (註 4) 使用 LCD 操作器時，第一行顯示的監控項目 (初始值為頻率指令)	16	*1
16-01	子螢幕監看 1	5~82 (註 4) 使用 LCD 操作器時，第二行顯示的監控項目 (初始值為輸出頻率)	17	*1
16-02	子螢幕監看 2	5~82 (註 4) 使用 LCD 操作器時，第三行顯示的監控項目 (初始值為輸出電流)	18	*1
16-03	顯示單位選擇	0~39999 決定頻率指令顯示的方式及單位	0	
		0：頻率顯示單位為 0.01Hz		
		1：頻率顯示單位為 0.01%		
		2：頻率顯示單位為 rpm		
		3~39：保留		
		40~9999： 使用者指定格式·輸入 0XXXX 表示 100%時的顯示為 XXXX		
		10001~19999： 使用者指定格式·輸入 1XXXX 表示 100%時的顯示為 XXX.X		
16-04	工程單位選擇	20001~29999： 使用者指定格式·輸入 2XXXX 表示 100%時的顯示為 XX.XX	0	
		30001~39999： 使用者指定格式·輸入 3XXXX 表示 100%時的顯示為 X.XXX		
		0：不使用工程單位		
		1：FPM		
		2：CFM		
3：PSI				
4：GPH				
5：GPM				
6：IN				
7：FT				
8：/s				

群組 16 LCD 功能群組				
代碼	參數名稱	範圍	出廠設定	屬性
		9：/m		
		10：/h		
		11：°F		
		12：inW		
		13：HP		
		14：m/s		
		15：MPM		
		16：CMM		
		17：W		
		18：KW		
		19：m		
		20：°C		
		21：RPM		
		22：Bar		
23：Pa				
24：KPa				
16-05	LCD 背光	0~7	5	*1
16-06	保留			
16-07	複製功能選擇	0：不進行參數複製	0	
		1：讀取變頻器參數，存至操作器		
		2：將操作器參數寫入變頻器		
		3：比對變頻器和操作器參數		
16-08	允許讀取選擇	0：不允許讀取變頻器參數，存至操作器	0	
		1：允許讀取變頻器參數，存至操作器		
16-09	操作器斷線選擇	0：LCD 操作器斷線時繼續運轉	0	*1
		1：LCD 操作器斷線時顯示故障		
16-10	RTC 時間顯示設定	0：隱藏	0	註 8
		1：顯示		
16-11	RTC 日期設定	12.01.01 ~ 99.12.31	12.01.01	註 8
16-12	RTC 時間設定	00:00 ~ 23:59	00:00	註 8
16-13	RTC 計時器機能	0：無效	0	註 8
		1：有效		
16-14	P1 啟始時間	2：依 DI 設定	08:00	註 8
		00:00 ~ 23:59		
16-15	P1 結束時間	00:00 ~ 23:59	18:00	註 8
16-16	P1 啟始日	1：星期一	1	註 8
		2：星期二		
16-17	P1 結束日	3：星期三	5	註 8
		4：星期四		
		5：星期五		
		6：星期六		

群組 16 LCD 功能群組				
代碼	參數名稱	範圍	出廠設定	屬性
		7: 星期日		
16-18	P2 啟始時間	00:00 ~ 23:59	08:00	註 8
16-19	P2 結束時間	00:00 ~ 23:59	18:00	註 8
16-20	P2 啟始日	1: 星期一	1	註 8
16-21	P2 結束日	2: 星期二	5	註 8
		3: 星期三		
		4: 星期四		
		5: 星期五		
		6: 星期六		
		7: 星期日		
		16-22		
16-23	P3 結束時間	00:00 ~ 23:59	18:00	註 8
16-24	P3 啟始日	1: 星期一	1	註 8
16-25	P3 結束日	2: 星期二	5	註 8
		3: 星期三		
		4: 星期四		
		5: 星期五		
		6: 星期六		
		7: 星期日		
		16-26		
16-27	P4 結束時間	00:00 ~ 23:59	18:00	註 8
16-28	P4 啟始日	1: 星期一	1	註 8
16-29	P4 結束日	2: 星期二	5	註 8
		3: 星期三		
		4: 星期四		
		5: 星期五		
		6: 星期六		
		7: 星期日		
		16-30		
1: 有效				
2: 依 DI 設定				
16-31	RTC 偏移時間設定	00:00 ~ 23:59	00:00	註 8
16-32	計時器 1 來源	0:無, 1:P1,	1	註 8
16-33	計時器 2 來源	2:P2, 3:P1+P2	2	註 8
16-34	計時器 3 來源	4:P3, 5:P1+P3,	4	註 8
16-35	計時器 4 來源	6:P2+P3,	8	註 8
		7:P1+P2+P3,		
		8:P4, 9:P1+P4,		
		10:P2+P4,		
		11:P1+P2+P4		
		12:P3+P4		
		13:P1+P3+P4,		
		14:P2+P3+P4		
		15:P1+P2+P3+P4,		
		16:Off, 17:Off+P1		
		18:Off+P2,		
19:Off+P1+P2				
20:Off+P3,				
21:Off+P1+P3				

群組 16 LCD 功能群組				
代碼	參數名稱	範圍	出廠設定	屬性
		22:Off+P2+P3		
		23:Off+P1+P2+P3		
		24:Off+P4		
		25:Off+P1+P4		
		26:Off+P2+P4		
		27:Off+P1+P2+P4		
		28:Off+P3+P4		
		29:Off+P1+P3+P4		
		30:Off+P2+P3+P4		
		31:Off+P1+P2+P3+P4		
		16-36		
1: 由計時器 1 選擇				
2: 由計時器 2 選擇				
3: 由計時器 3 選擇				
4: 由計時器 4 選擇				
5: 由計時器 1+2 選擇				
16-37	RTC 運轉方向選擇	xxx0b: RTC Run1 正轉	0000b	註 8
		xxx1b: RTC Run1 反轉		
		xx0xb: RTC Run2 正轉		
		xx1xb: RTC Run2 反轉		
		x0xxb: RTC Run3 正轉		
		x1xxb: RTC Run3 反轉		
		0xxxb: RTC Run4 正轉		
		1xxxb: RTC Run4 反轉		

群組 17 自動調校功能群組				
代碼	參數名稱	範圍	出廠設定	屬性
17-00	*自動調校模式選擇	0: 旋轉自動調校	VF:2 VF+PG :2 SLV:6 SV:6 SLV2:6	
		1: 靜止自動調校		
		2: 定子電阻量測		
		3: 保留		
		4: 迴路調校		
		5: 旋轉自動調校整合(選項:4+2+0)		
		6: 靜止自動調校整合(選項:4+2+1)		
17-01	馬達額定輸出功率	0.00~600.00	KVA	

群組 17 自動調校功能群組				
代碼	參數名稱	範圍	出廠設定	屬性
17-02	馬達額定電流	0.1~1200.0	KVA	
17-03	馬達額定電壓	200V: 50.0~240.0	-	
		400V: 100.0~480.0	-	
17-04	馬達額定頻率	4.8~599.0	50.0/60.0	
17-05	馬達額定速度	0~24000	KVA	
17-06	馬達極數	2~16(偶數)	4	
17-07	PG 脈波數	0~60000	1024	
17-08	馬達無載電壓	200V: 50~240	-	
		400V: 100~480	-	
17-09	馬達激磁電流	0.01~600.00	-	■1
17-10	自動調校啟動	0: 無效	0	
		1: 有效		
17-11	自動調校錯誤履歷	0: 無誤	0	
		1: 馬達資料錯誤		
		2. 定子電阻調校錯誤		
		3. 漏感調校錯誤		
		4. 轉子電阻調校錯誤		
		5. 互感調校錯誤		
		6. DT 錯誤		
		7. 編碼器錯誤		
		8. 馬達加速錯誤		
9. 警告				
17-12	馬達漏感比例	0.1~15.0	3.4	
17-13	馬達滑差頻率	0.10~20.00	1.00	
17-14	旋轉調校型式選擇	0:VF 型旋轉自動調校	0	
		1:向量型旋轉自動調校		

KVA:該參數會隨著不同變頻器的容量大小而不同。

\*在使用馬達自動調校前，建議先選定 00-27

HD/ND 模式選擇及 00-32 應用調整。

註:向量模式 17-00 出廠值為 6 靜止自動調校整合(選項:4+2+1)，若馬達無掛載可以進行旋轉調校時，建議進行 5：旋轉自動調校整合(選項:4+2+0)

■1:17-00=1,2,6 時才會顯示可設定

群組 18 滑差補償功能群組				
代碼	參數名稱	範圍	出廠設定	屬性
18-00	低速滑差補償增益	0.00~2.50	VF:0.00	*1
			SLV*	
18-01	高速滑差補償增益	-1.00~1.00	0.0	*1
18-02	滑差補償限制	0~250	200	
18-03	滑差補償濾波時間	0.0~10.0	1.0	
18-04	回昇滑差補償選擇	0: 無效	0	
		1: 有效		
18-05	FOC 延遲時間	1~1000	100	
18-06	FOC 增益	0.00~2.00	0.1	

\*請參考使用說明書附件一之說明

群組 19 擺頻功能群組				
代碼	參數名稱	範圍	出廠設定	屬性
19-00	擺頻中心頻率	5.00~100.00	20.00	*1
19-01	擺頻振幅	0.1~20.0	10.0	*1
19-02	擺頻跳動頻率	0.0~50.0	0.0	*1
19-03	擺頻跳動時間	0~50	0	*1
19-04	擺頻週期	0.0~1000.0	10.0	*1
19-05	擺頻比例	0.1~10.0	1.0	*1
19-06	擺頻上偏移振幅	0.0~20.0	0.0	*1
19-07	擺頻下偏移振幅	0.0~20.0	0.0	*1

群組 20 速度控制功能群組				
代碼	參數名稱	範圍	出廠設定	屬性
20-00	ASR 增益 1	0.00~250.00	-	*1
20-01	ASR 積分時間 1	0.001~10.000	-	*1
20-02	ASR 增益 2	0.00~250.00	-	*1
20-03	ASR 積分時間 2	0.001~10.000	-	*1
20-04	ASR 積分時間限制	0~300	200	
20-05	ASR 正限制	0.1 ~ 10.0	5.0	
20-06	ASR 負限制	0.1 ~ 10.0	1.0	
20-07	加減速 P/PI 選擇	0: PI 速度控制只在定速時有效；加減速時只使用 P 控制	0	
		1: PI 速度控制在定速及加減速都有效		
20-08	ASR 延遲時間	0.000~0.500	0.004	
20-09	速度觀測增益 1	0.00~2.55	0.61	*1
20-10	速度觀測積分時間 1	0.01~10.00	0.05	*1
20-11	速度觀測增益 2	0.00~2.55	0.61	*1

群組 20 速度控制功能群組				
代碼	參數名稱	範圍	出廠設定	屬性
20-12	速度觀測積分時間 2	0.01~10.00	0.06	*1
20-13	速度回授低通濾波常數 1	1~1000	4	
20-14	速度回授低通濾波常數 2	1~1000	30	
20-15	ASR 增益改變頻率 1	0.0~599.0	4.0	
20-16	ASR 增益改變頻率 2	0.0~599.0	8.0	
20-17	低速轉矩補償增益	0.00~2.50	1.00	*1
20-18	高速轉矩補償增益	-10~10	0	*1
20-19	過速(OS)選擇	0：減速停止	1	
		1：自由運轉停止		
		2：繼續運轉		
20-20	過速(OS)檢測準位	0~120	115	
20-21	過速(OS)檢測時間	0.0~2.0	0.5	
20-22	速度偏差(DEV)選擇	0：減速停止	2	
		1：自由運轉停止		
		2：繼續運轉		
20-23	速度偏差(DEV)檢測準位	0~50	10	
20-24	速度偏差(DEV)檢測時間	0.0~10.0	0.5	
20-25	PG 斷線選擇	0：減速停止	1	
		1：自由運轉停止		
		2：繼續運轉		
20-26	PG 斷線檢測時間	0.0~10.0	2.0	
20-27	PG 脈波數	0~9999	1024	
20-28	PG 旋轉方向選擇	0：正轉為逆時針旋轉	0	
		1：正轉為順時針旋轉		
20-29	PG 脈波除頻比	001~132	1	
20-30	PG 齒輪比 1	1~1000	1	
20-31	PG 齒輪比 2	1~1000	1	
20-32	特殊編碼器選擇	0：無	0	
		1：解角器		
20-33	定速偵測準位	0.1~5.0	1.0	*1
20-34	降轉補償增益	0~25600	0	*1
20-35	降轉補償時間	0~30000	100	*1
20-36 ~ 20-42	保留			
20-43	速度倍率	1~500	20	註 5
20-44	速度命令限制	0.1~30.0	6.0	註 5

群組 21 轉矩及位置控制功能群組				
代碼	參數名稱	範圍	出廠設定	屬性
21-00	轉矩控制選擇	0：速度控制	0	
		1：轉矩控制		
21-01	轉矩參考濾波時間	0~1000	0	
21-02	速度限制選擇	0：依 AI 輸入	0	
		1：依 21-03 設定值		
		2：依通訊位置輸入(2502H)		
21-03	速度限制值	-120~120	0	*1
21-04	速度限制偏壓	0~120	10	*1
21-05	正轉矩限制	0~300		*
21-06	負轉矩限制	0~300		*
21-07	正轉回昇轉矩限制	0~300		*
21-08	反轉回昇轉矩限制	0~300		*
21-09	位置控制最大頻率	0.1~100.0	20.0	
21-10	第 0 段旋轉圈數命令	-9999 ~ 9999	0	
21-11	第 0 段脈波數命令	-9999 ~ 9999	0	
21-12	第 1 段旋轉圈數命令	-9999 ~ 9999	0	
21-13	第 1 段脈波數命令	-9999 ~ 9999	0	
21-14	第 2 段旋轉圈數命令	-9999 ~ 9999	0	
21-15	第 2 段脈波數命令	-9999 ~ 9999	0	
21-16	第 3 段旋轉圈數命令	-9999 ~ 9999	0	
21-17	第 3 段脈波數命令	-9999 ~ 9999	0	
21-18	第 4 段旋轉圈數命令	-9999 ~ 9999	0	
21-19	第 4 段脈波數命令	-9999 ~ 9999	0	
21-20	第 5 段旋轉圈數命令	-9999 ~ 9999	0	
21-21	第 5 段脈波數命令	-9999 ~ 9999	0	
21-22	第 6 段旋轉圈數命令	-9999 ~ 9999	0	
21-23	第 6 段脈波數命令	-9999 ~ 9999	0	
21-24	第 7 段旋轉圈數命令	-9999 ~ 9999	0	
21-25	第 7 段脈波數命令	-9999 ~ 9999	0	
21-26	第 8 段旋轉圈數命令	-9999 ~ 9999	0	
21-27	第 8 段脈波數命令	-9999 ~ 9999	0	

群組 21 轉矩及位置控制功能群組				
代碼	參數名稱	範圍	出廠設定	屬性
	令			
21-28	第 9 段旋轉圈數命令	-9999 ~ 9999	0	
21-29	第 9 段脈波數命令	-9999 ~ 9999	0	
21-30	第 10 段旋轉圈數命令	-9999 ~ 9999	0	
21-31	第 10 段脈波數命令	-9999 ~ 9999	0	
21-32	第 11 段旋轉圈數命令	-9999 ~ 9999	0	
21-33	第 11 段脈波數命令	-9999 ~ 9999	0	
21-34	第 12 段旋轉圈數命令	-9999 ~ 9999	0	
21-35	第 12 段脈波數命令	-9999 ~ 9999	0	
21-36	第 13 段旋轉圈數命令	-9999 ~ 9999	0	
21-37	第 13 段脈波數命令	-9999 ~ 9999	0	
21-38	第 14 段旋轉圈數命令	-9999 ~ 9999	0	
21-39	第 14 段脈波數命令	-9999 ~ 9999	0	
21-40	第 15 段旋轉圈數命令	-9999 ~ 9999	0	
21-41	第 15 段脈波數命令	-9999 ~ 9999	0	
21-42	位置模式選擇	0: 速度低於最低頻率進入位置模式 1: Z 相鎖定機能	0	
21-43	偏移角度	0 ~ 9999	0	

\*請參考使用說明書附件一之說明

群組 22 PM 馬達群組				
代碼	參數名稱	範圍	出廠設定	屬性
22-00	PM 馬達額定功率	0.00~600.00	KVA	
22-01	PM 馬達額定電壓	200V: 50.0~240.0 400V: 100.0 ~ 480.0	220.0 440.0	註 7
22-02	PM 馬達額定電流	變頻器額定電流的 25%~200%	KVA	
22-03	PM 馬達極數	2~96	6	
22-04	PM 馬達額定轉速	6~60000	1500	
22-05	PM 馬達最大轉速	6~60000	1500	
22-06	PM 馬達額定頻率	4.8~599.0	75.0	
22-07	PM 類型選擇	0:SPM 1:IPM	0	註 7

群組 22 PM 馬達群組				
代碼	參數名稱	範圍	出廠設定	屬性
22-08	PM 編碼器種類	0: 多摩川非省配線	0	
		1: 多摩川省配線		
		2: SUMTAK 省配線		
		3: 一般差動式增量型		
22-09		保留		
22-10	PM SLV 啟動電流	20% ~ 200% 馬達額定電流	80	
22-11	I/F 模式啟動頻率切換點	10 ~ 100 (註 7)	10	
22-12		保留 (註 4)		
22-13		保留 (註 4)		
22-14	PM 馬達電樞電阻	0.001 ~ 30.000	1.000	
22-15	PM 馬達 D 軸電感	0.01 ~ 300.00	10.00	
22-16	PM 馬達 Q 軸電感	0.01 ~ 300.00	10.00	
22-17	PM 無載電壓	200V: 0~250 400V: 0~500	150 300	註 7
22-18	弱磁限制	0~120	90	
22-19		保留		
22-20	磁極偏移角	0~360	0	*4
22-21	PM 馬達調校	0: 不進行 PM 馬達調適	0	
		1: 參數自動調測 (適用 PMSLV)		
		2: 磁極對位與迴路調 (適用 PMSV)		
22-22	PM 馬達調校故障履歷	0. 無錯誤	0	*4
		1. 靜止磁極對位失敗		
		2. 無 PG option card		
		3. 旋轉磁極對位被強迫停止		
		4. 編碼器回授方向錯誤		
		5. 迴路調整逾時		
		6. 編碼器錯誤		
		7. 其他馬達調校錯誤		
		8. 旋轉磁極對位時電流異常		
		9. 迴路調整時，電流異常		
		10. 保留		
11. 定子電阻量測逾時				
22-23		保留		
22-24		保留		
22-25	初始磁極偵測方式選擇	0.使用停止前的角度	2 (註 7)	

群組 22 PM 馬達群組

代碼	參數名稱	範圍	出廠設定	屬性
		1.方式 1 2.方式 2		
22-26	估測器模式	0~1(適用於 PMSLV)	0	
22-27	方法 2 電壓命令	5~120 (註 7) (22-25=2 或 22-26=1 有效)	50	
22-28	方法 2 除頻比例	0~8 (註 7) (22-25=2 或 22-26=1 有效)	2	
22-29	弱磁電壓命令限制	80~110 (註 7) (與 22-18 相關)	100	
22-30	SPM 速度估測增益 (註 7)	1~150	85	註 4
22-31	SPM 速度估測濾波頻率 (註 7)	1~2000	60	註 4
22-32	MTPA 選擇	0:無效 1:方式 1	0	註 7
22-33	MTPA 增益	0~400%	200	註 7
22-34	IPM 估測器增益	1~300.0	180	註 7
22-36	PM 馬達類型選擇	【0】:一般 PM 馬達 【1】:DVEN 馬達	0	註 8
22-37	PM 馬達馬力數	1.0.75KW 1800RPM 4.1.5KW 1800RPM 7.2.2KW 1800RPM 10.3.7KW 1800RPM 13.5.5KW 1800RPM 16.7.5KW 1800RPM 19.11KW 1800RPM 22.15KW 1800RPM 25.18.5KW 1800RPM 28.22KW 1800RPM	0	註 8

## 第 4 章 異常診斷及排除

### 4.1 總則

變頻器的故障檢測和預警/自我診斷功能。當變頻器檢測到故障的故障碼顯示在數位操作器時，故障接點輸出動作，切斷變頻器輸出，使馬達自由運轉停止(在某些故障方面，停機的方法是可以選擇)。

當變頻器檢測到警告/自我診斷，數位操作器會顯示警告/自診斷代碼，但接點的故障輸出不動作。一旦發生的警告已被排除，系統會自動恢復到原來的狀態。

### 4.2 故障檢測功能

故障發生時，參閱表 4.1 查詢可能的原因，採取適當的措施。

再啟動時，請使用下列任一種方法：

1. 設置其中一個多功能數位輸入端子 (03-00, 03-07) 至 17 (故障復歸)，使故障復歸訊號 ON。
  2. 按下數位操作器的 Reset 鍵。
  3. 將主電路電源先切斷後再接通。
- 當故障發生時，故障訊息儲存在故障資訊 (群組 12 參數)。

表 4.1 錯誤訊息與改正行動

LED 顯示	改正行動
OC 過電流	延長加速 / 減速時間 檢查負載接線 移除馬達並嘗試運轉變頻器
	
OCA 過電流	1.設定較長的加速時間 2.更換容量相當的變頻器 3.檢修馬達 4.檢查配線 5.更換 IGBT 模組
	
OCC 過電流	1.加大變頻器容量 2.電源輸入側加裝電抗器
	
OCD 過電流	設定較長的減速時間
	
SC 短路	確認負載接線
	
GF 接地故障	檢查馬達接線及接線阻抗。
	

LED 顯示	改正行動
OV 過壓	.延長減速時間 .檢查輸入電路和降低輸入電壓符合規範要求。 .移除功率因數校正電容。
OU	
UV 電壓過低	.檢查輸入電路和電源電壓。 .延長加速時間。
UU	
IPL 輸入欠相	.確認主回路電源接線是否正確。 .檢查端子螺絲是否鬆動。 .確認電源電壓採取穩定電壓的對策，或將輸入欠相檢出關閉。 .更換電路板或變頻器
IPL	
OPL 輸出欠相	.檢查馬達的接線。 .檢查馬達和變頻器的容量。
OPL	
OH1 散熱座過熱	.檢查變頻器環境周圍的溫度。 .檢查風扇或散熱槽之塵埃和污垢。 .檢查載波頻率之設定。
OH1	
OL1 馬達過載	.檢查 V/F 模式。 .檢查馬達額定電流。 .檢查負載大小和運轉週期時間。
OL1	
OL2 變頻器過載	.檢查 V/F 模式。 .替換至更高容量的變頻器。 .檢查負載大小和運轉週期時間。
OL2	
OT 過轉矩偵測	.檢查應用程序或操作狀態。 .檢查 08-15 及 08-16 是否為適當值。
OT	
UT 低轉矩偵測	.檢查應用程序或操作狀態。 .檢查 08-19 及 08-20 是否為適當值
ut	
run 馬達 1/馬達 2 切換	.修正順序控制，以便在停止時進行馬達切換。
run	
OS 過速度	.檢查速度參考增益和設置的 20-20，20-21 是否適當。 .調整設置的 ASR 的群組 21 參數。
OS	
PGO PG 開路	.檢查 PG 佈線。 .檢查 PG 電源。 .檢查 PG 佈線 .檢查馬達動作機制。
PGO	
DEV 速度偏差	.檢查機械負載。 .檢查剎車機制是否啟動或減少負載。 .檢查 PG 接線。 .驗證 20-23 及 20-24 參數設定是否正確。 .延長加/減速時間。
dev	

LED 顯示	改正行動
CE 通訊錯誤	.檢查所有連接和驗證所有用戶端軟體架構。
CE	
FB PID 回授斷線	.檢查設立的 PID 回授方式是否正確。 .確保正確安裝及 PID 回授信號的工作正常。
Fb	
STO 安全開關	.檢查變頻器控制板上 F1 與 F2 是否短路。(標準型 H / C 適用) .檢查變頻器控制板上 SF1 與 SF2 是否與 SG 短路。(進階型 E / G 適用) .檢查數位端子(58)是否開啟。
STO	
STO2 安全開關	
SS1 安全開關	.檢查數位端子(58)是否開啟。
SS1	
EF0 外部故障 0	.檢查外部故障原因。 .復歸通訊位置 0x2501 的 bit 2
EF0	
EF1 外部故障(S1)	.檢查外部原因故障。 .復歸多功能數位輸入的外部故障
EF1	
EF2 外部故障(S2)	
EF2	
EF3 外部故障(S3)	
EF3	
EF4 外部故障(S4)	
EF4	
EF5 外部故障(S5)	
EF5	
EF6 外部故障(S6)	
EF6	
EF7 外部故障(S7)	
EF7	
EF8 外部故障(S8)	
EF8	

LED 顯示	改正行動
CF07 馬達控制故障 	.執行旋轉型馬達參數檢測 (Rotational Auto-tuning) .若無法執行旋轉型馬達參數檢測，請執行靜止型馬達參數檢測，或增加 01-08 設定值。
CF08 馬達控制故障 	.請適當調整增加 22-10 及 22-23 設定值。 .請重新進行 22-21，參數自動調整。 .檢查負載是否過大，是否需要提高輸出轉矩限制。
FU 保險絲開路 	.檢查馬達和電纜是否為短路或絕緣損毀。 .修理/替換變頻器。
CF00 操作器通訊異常 	.數位操作器之連接器拔起再插入 .更換控制基板
CF01 操作器通訊異常 2 	.數位操作器之連接器拔起再插入 .更換控制基板
CT 故障 	.檢查輸入電壓訊號與控制板上的電壓。
通訊錯誤 	.檢查目前通訊機制只有使用一種。
PF 保護錯誤 	.移除數位輸入端子/通訊運轉命令
TOL 外部過載 	.檢查外部原因過載。 .復歸多功能數位輸入的外部過載

### 4.3 警告/自診斷檢測功能

當變頻器檢測到一個警告，數位操作機將顯示警告代碼（閃爍），故障輸出接點不動作，一旦此警告解除，系統會自動恢復原來的狀態。




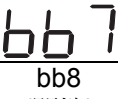






當變頻器檢測到一個自診斷功能（例如，有一個無效的設置或矛盾的兩個參數設置），數位操作器將顯示自診斷代碼，且故障輸出接點不動作；直到參數已經設置正確前，變頻器無法執行運轉指令。












當一個警告或自我診斷錯誤發生，請參考表 4.2，以確定和糾正造成的錯誤。

表 4.2 警告/自診斷和糾正措施

LED 顯示	改正行動
HPErr 機種別選擇錯誤 	.檢查變頻器容量設置（13-00）符合硬體電壓等級。
OV (閃爍) 過電壓 	.檢查輸入電源之電壓
UV (閃爍) 低電壓 	.檢查輸入電源電壓。 .檢查輸入電路。 .檢查主回路 MC。
OH1 散熱座過熱 	.檢查變頻器環境周圍的溫度。 .檢查風扇或散熱槽之塵埃和污垢。 .檢查載波頻率之設定。
OH2 (閃爍) 變頻器過熱警告 	.檢查外部條件
OT (閃爍) 過轉矩偵測 	.檢查應用或機器運轉狀態。 .檢查 08-15 和 08-16 設定值。
UT (閃爍) 低轉矩偵測 	.檢查應用或機器運行狀態。 .檢查 08-19 及 08-20 設定值。
bb1 (閃爍) 外部遮斷 	.移除外部遮斷的原因。
bb2 (閃爍) 外部遮斷 	
bb3 (閃爍) 外部遮斷 	



LED 顯示	改正行動	
bb4 (閃爍) 外部遮斷		
		
bb5 (閃爍) 外部遮斷		
		
bb6 (閃爍) 外部遮斷		
		
bb7 (閃爍) 外部遮斷		
		
bb8 (閃爍) 外部遮斷		
		
DEV (閃爍) 速度偏差		<ul style="list-style-type: none"> <li>.檢查機械負載。</li> <li>.檢查剎車機制是否啟動或減少負載。</li> </ul>
		<ul style="list-style-type: none"> <li>.檢查 PG 接線。</li> <li>.驗證 20-23 及 20-24 及 20-28 參數設定是否正確。</li> <li>.延長加/減速時間。</li> </ul>
OL1 馬達過載		<ul style="list-style-type: none"> <li>.檢查 V/F 模式。</li> <li>.檢查馬達額定電流。</li> <li>.檢查負載大小和運轉週期時間。</li> </ul>
		
OL2 變頻器過載		<ul style="list-style-type: none"> <li>.檢查 V/F 模式。</li> <li>.替換至更高容量的變頻器。</li> <li>.檢查負載大小和運轉週期時間。</li> </ul>
		
CE (閃爍) 通訊錯誤	檢查所有連接並驗證所有用戶端軟體設定。	
		
CLA 電流保護準位 A	檢查負載大小和運轉週期時間。	
		

LED 顯示	改正行動
CLB 電流保護準位 B	檢查負載大小和運轉週期時間。
	
Retry (閃爍) 重試	自動復歸再啟動時間過後會消失。
	
ES (閃爍) 外部緊急停止	<ul style="list-style-type: none"> <li>.移除外部緊急停止的原因。</li> <li>.運轉命令關閉,並且復歸多功能數位輸入的外部緊急停止命令。</li> </ul>
	
OS (閃爍) 馬達過速度	<ul style="list-style-type: none"> <li>.檢查速度參考增益和檢查 20-20, 20-21 設定值。</li> <li>.調整 ASR 的設定(群組 20 參數)。</li> </ul>
	
PGO (閃爍) PG 開路	<ul style="list-style-type: none"> <li>.檢查 PG 配線。</li> <li>.檢查 PG 電源供應。</li> </ul>
	
EF1 (閃爍) 外部故障(S1)	<ul style="list-style-type: none"> <li>.移除外部故障的原因。</li> <li>.復歸多功能數位輸入的外部故障。</li> </ul>
	
EF2 (閃爍) 外部故障(S2)	
	
EF3 (閃爍) 外部故障(S3)	
	
EF4 (閃爍) 外部故障(S4)	
	
EF5 (閃爍) 外部故障(S5)	
	
EF6 (閃爍) 外部故障(S6)	
	

LED 顯示	改正行動
EF7 (閃爍) 外部故障(S7)	
EF8 (閃爍) 外部故障(S8)	
EF9 (閃爍) 正反轉錯誤	檢查外部程序邏輯
FB (閃爍) PID 回授斷線	.檢查設立的 PID 回授方式是否正確。 .確保正確安裝及 PID 回授信號的工作正常。
USP (閃爍) 無人保護	.運轉命令關閉，或執行端子復歸動作(03-00 至 03-07 為 3)，或使用數位操作器上的 RESET 鍵進行復歸。 .關閉 USP 信號和重新啟閉電源。
SE01 設定範圍錯誤	檢查參數設置.
SE02 數位輸入端子錯誤	檢查參數設置
SE03 V/f 曲線錯誤	確認 V/F 參數設定。
SE05 PID 選擇錯誤	①檢查 10-00,與 10-01 設定值。 ②檢查 10-29 與 10-25 設定值 ③檢查 10-29 與 10-03 設定值
SE07 PG 卡錯誤	原因 1：檢查變頻器 PG 卡裝置與控制模式 原因 2：PM 編碼器種類 (22-08)設定後，需重新斷送電。

LED 顯示	改正行動
SE08 PM 馬達模式錯誤	進行磁極對位。
SE09 PI 設定錯誤	檢查變頻器 PI 選項(03-30)選擇與 PID 來源(10-00 及 10-01)
參數設定錯誤	請參照使用說明書設定或者代表此項選擇無效
直接啟動警告	檢查外部運轉端子先斷開之後再接上 開機後等待 07-05 當設定時間過後
FIRE 強制運轉模式	. 確認設備周圍是否發生火災，如果是誤觸發可斷電重新清除。
ADC 電壓錯誤	檢查輸入電壓訊號與控制板上的電壓。
EEPROM 儲存錯誤	進行初始化後重新斷送電，若再次出現警告，則更換電路板。
控制板錯誤	控制板與程式不符合，請更換控制板。
零速停止警告	調整頻率指令
	註:若頻率來源 00-05 設定為數位操作器，則需調整 05-01 第 0 段速頻率設定。
外控停止警告	移除外部運轉命令。
編碼器錯誤警告	1. 檢查編碼器接線。 2. 17-07 PG 脈波數設定與編碼器不符。 3. 更換編碼器。
	註:編碼器錯誤不影響馬達自動調校的結果，請使用者調整 20-27 PG 脈波數及 20-28 PG 旋轉方向旋轉，不需重新進行馬達自動調校。

LED 顯示	改正行動
運轉方向 錯誤警告	修正 11-00 馬達方向鎖定命令，與現行利用外部控制 DI 或 JOG 以及 三線式下達正或反轉命令相同方向。
	
參數鎖定	在參數 13-07 輸入正確密碼
	
密碼設定錯誤	使用密碼鎖功能時，第二次輸入的密碼與第一次輸入的密碼相同
	

#### 4.4 自動調校錯誤

當自動調校故障發生時，故障顯示“**AtErr**”在數位操作器且馬達停止，故障訊息顯示在 17-11。故障數位輸出接點不動作。參考表 4.3，以確定和糾正所發生的故障。

表 4.3 自動調諧故障和糾正措施

錯誤	改正行動	
01 馬達資料輸入錯誤	·檢查自動調校所輸入資料(17-00 到 17-09)。 ·檢查變頻器的容量	
02 馬達線對線電阻 R1 調校錯誤。	·檢查自動調校輸入資料 (17-00 到 17-09) ·檢查馬達接線。 ·斷開馬達所連接的負載。 ·檢查變頻器電流檢測電路，包括電流感測器。 ·檢查馬達接線。 ·檢查馬達安裝。	
03 馬達漏感調校錯誤		
04 馬達轉子電阻 R2 調校錯誤。		
05 馬達互感 Lm 調校錯誤		
07 Deadtime 補償偵測錯誤		
06 馬達編碼器錯誤		確認馬達額定電流 (02-01, 02-21)。
08 馬達加速錯誤(僅適用於旋轉型自動調校)。		·增加加速度時間 (00-14)。 ·斷開馬達所連接的負載。
09 自動調校其它錯誤	·檢查馬達接線。 ·檢查自動調校輸入資料。	

#### 4.5 PM 馬達自動調校錯誤

當 PM 馬達自動調校故障發生時，故障顯示“**IPerr**” (PM 馬達調校失敗) 訊息在數位操作器且馬達停止，故障訊息顯示在 22-18。故障數位輸出接點不動作。參考表 4.4，以確定和糾正所發生的故障。

表 4.4 PM 馬達自動調諧故障和糾正措施

錯誤	改正行動
01 靜止磁極對位失敗	·檢查自動調校所輸入資料 (22-02)。 ·檢查變頻器的容量。 ·檢查馬達接線。
02 無 PG option card	·檢查是否正確裝好 PM PG card。
03 旋轉磁極對位被強迫停止	·檢查是否進入其它保護程序。
04 旋轉磁極對位逾時	·檢查馬達接線。
05 迴路調整逾時	·檢查是否進入其它保護程序。
06 編碼器錯誤	·檢查 PG card 的地是否有接。
07 警告	·檢查馬達接線。 ·檢查自動調校輸入資料。
08 旋轉磁極對位時電流異常	·可能是 PG card A,B 相接反，可重做，系統會自動調整接線定義。 ·檢查馬達接線。
09 迴路調整時，電流異常	·檢查自動調校所輸入資料 (22-02)。 ·檢查變頻器的容量。
10 重試磁極對位及迴路調整	重試磁極對位及迴路調整。

## Appendix A: UL Instructions

### ■ Main Circuit Terminal Wiring

UL approval requires crimp terminals when wiring the inverter's main circuit terminals. Use crimping tools as specified by the crimp terminal manufacturer. Teco recommends crimp terminals made by NICHIFU for the insulation cap.

The table below matches inverter models with crimp terminals and insulation caps. Orders can be placed with a Teco representative or directly with the Teco sales department.

#### Closed-Loop Crimp Terminal Size

Drive Model A510S	Wire Gauge mm <sup>2</sup> , (AWG)		Terminal Screws	Crimp Terminal Model No.	Tool Machine No.	Insulation Cap Model No.
	R/L1 • S/L2 • T/L3	U/T1 • V/T2 • W/T3				
2001/2002	2 (14)		M4	R2-4	Nichifu NH 1 / 9	TIC 2
	3.5 (12)			R5.5-4		TIC 3.5
	5.5 (10)					TIC 5.5
2003/2005/2008	5.5 (10)		M4	R5.5-4	Nichifu NH 1 / 9	TIC 5.5
2010	8 (8)		M4	R8-4	Nichifu NOP 60	TIC 8
2015/2020/2025	22 (4)		M6	R22-6	Nichifu NOP 60 / 150H	TIC 22
2030/2040	60 (1/0)		M8	R60-8	Nichifu NOP 60 / 150H	TIC 60
2050/2060	100 (4/0)		M10	R80-10	Nichifu NOP 150H	TIC 80
2075/2100	200 (4/0)*2		M10	R100-10	Nichifu NOP 150H	TIC 100
4001/4002/4003	2 (14)		M4	R2-4	Nichifu NH 1 / 9	TIC 2
	3.5 (12)			R5.5-4		TIC 3.5
	5.5 (10)					TIC 5.5
4005/4008	3.5 (12)		M4	R5.5-4	Nichifu NH 1 / 9	TIC 3.5
4010/4015/4020	5.5 (10)		M4	R5.5-4	Nichifu NH 1 / 9	TIC 5.5
	8 (8)					TIC 8
4025/4030	14 (6)		M6	R14-6	Nichifu NOP 60 / 150H	TIC 14
4040/4050	38 (2)		M8	R38-8	Nichifu NOP 60 / 150H	TIC 38
4060/4075	80 (3/0)		M10	R80-10	Nichifu NOP 150H	TIC 80
4100/4125	100 (4/0)*2		M10	R100-10	Nichifu NOP 150H	TIC 100
4150/4175/4215	100 (4/0)		M12	R100-12	Nichifu NOP 150H	TIC 100
2125	100 (4/0)		M12	R100-12	Nichifu NOP 150H	TIC 100
2150	100 (4/0)		M12	R100-12	Nichifu NOP 150H	TIC 100
4250	100 (4/0)		M12	R100-12	Nichifu NOP 150H	TIC 100
4300	100 (4/0)		M12	R100-12	Nichifu NOP 150H	TIC 100
4375	100 (4/0)		M12	R100-12	Nichifu NOP 150H	TIC 100
4425	100 (4/0)		M12	R100-12	Nichifu NOP 150H	TIC 100

Drive Model A510S (F)	Wire Gauge mm <sup>2</sup> , (AWG)		Terminal Screws	Crimp Terminal Model No.	Tool Machine No.	Insulation Cap Model No.
	R/L1 • S/L2 • T/L3	U/T1 • V/T2 • W/T3				
4001/4002/4003	2 (14)		M4	R2-4	Nichifu NH 1 / 9	TIC 2
	3.5 (12)			R5.5-4		TIC 3.5
	5.5 (10)					TIC 5.5
4005/4008	3.5 (12)		M4	R5.5-4	Nichifu NH 1 / 9	TIC 3.5
4010/4015	5.5 (10)		M4	R5.5-4	Nichifu NH 1 / 9	TIC 5.5
	8 (8)					TIC 8
4020/4025/4030	14 (6)		M6	R14-6	Nichifu NOP 60 / 150H	TIC 14
4040/4050/4060	38 (2)		M8	R38-8	Nichifu NOP 60 / 150H	TIC 38

❖ **Type 1**

During installation, all conduit hole plugs shall be removed, and all conduit holes shall be used.

Drive Model A510	Fuse Type	
	Manufacturer: Bussmann / FERRAZ SHAWMUT	
	Model	Fuse Ampere Rating (A)
<b>200 V Class Three-Phase Drives</b>		
2001	Bussmann 20CT	690V 20A
2002	Bussmann 30FE	690V 30A
2003	Bussmann 50FE	690V 50A
2005	Bussmann 50FE	690V 50A
2008	Bussmann 63FE	690V 63A
2010	FERRAZ SHAWMUT A50QS100-4	500V 100A
2015	Bussmann 120FEE / FERRAZ A50QS150-4	690V 120A / 500V 150A
2020	FERRAZ SHAWMUT A50QS150-4	500V 150A
2025	FERRAZ SHAWMUT A50QS200-4	500V 200A
2030	FERRAZ SHAWMUT A50QS250-4	500V 250A
2040	FERRAZ SHAWMUT A50QS300-4	500V 300A
2050	FERRAZ SHAWMUT A50QS400-4	500V 400A
2060	FERRAZ SHAWMUT A50QS500-4	500V 500A
2075	FERRAZ SHAWMUT A50QS600-4	500V 600A
2100	FERRAZ SHAWMUT A50QS700-4	500V 700A

Drive Model A510	Fuse Type	
	Manufacturer: Bussmann / FERRAZ SHAWMUT	
	Model	Fuse Ampere Rating (A)
<b>400 V Class Three-Phase Drives</b>		
4001	Bussmann 10CT	690V 10A
4002	Bussmann 16CT	690V 16A
4003	Bussmann 16CT	690V 16A
4005	Bussmann 25ET	690V 25A
4008	Bussmann 40FE	690V 40A
4010	Bussmann 50FE	690V 50A
4015	Bussmann 63FE	690V 63A
4020	Bussmann 80FE	690V 80A
4025	Bussmann 100FE / FERRAZ A50QS100-4	690V 100A / 500V 100A
4030	Bussmann 120FEE	690V 120A
4040	FERRAZ SHAWMUT A50QS150-4	500V 150A
4050	FERRAZ SHAWMUT A50QS200-4	500V 200A
4060	FERRAZ SHAWMUT A50QS250-4	500V 250A
4075	FERRAZ SHAWMUT A50QS300-4	500V 300A
4100	FERRAZ SHAWMUT A50QS400-4	500V 400A
4125	FERRAZ SHAWMUT A50QS500-4	500V 500A
4150	FERRAZ SHAWMUT A50QS600-4	500V 600A
4175	FERRAZ SHAWMUT A50QS700-4	500V 700A
4215	FERRAZ SHAWMUT A50QS700-4	500V 700A

Drive Model A510	Fuse Type	
	Manufacturer: Bussmann / FERRAZ SHAWMUT	
	Model	Fuse Ampere Rating (A)
<b>200 V Class Three-Phase Drives</b>		
2125	Bussmann 170M5464	690V 800A
2150	Bussmann 170M5464	690V 800A

Drive Model A510	Fuse Type	
	Manufacturer: Bussmann / FERRAZ SHAWMUT	
	Model	Fuse Ampere Rating (A)
<b>400 V Class Three-Phase Drives</b>		
4250	Bussmann 170M5464	690V 800A
4300	Bussmann 170M5464	690V 800A
4375	Bussmann 170M5466	690V 1000A
4425	Bussmann 170M5466	690V 1000A

❖ **Motor Overtemperature Protection**

Motor overtemperature protection shall be provided in the end use application.

■ **Field Wiring Terminals**

All input and output field wiring terminals not located within the motor circuit shall be marked to indicate the proper connections that are to be made to each terminal and indicate that copper conductors, rated 75°C are to be used.



■ **Inverter Short-Circuit Rating**

This inverter has undergone the UL short-circuit test, which certifies that during a short circuit in the power supply the current flow will not rise above value. Please see electrical ratings for maximum voltage and table below for current.

- The MCCB and breaker protection and fuse ratings (refer to the preceding table) shall be equal to or greater than the short-circuit tolerance of the power supply being used.
- Suitable for use on a circuit capable of delivering not more than (A) RMS symmetrical amperes for DiJ2.IHp in 240 / 480 V class drives motor overload protection.

Horse Power ( Hp )	Current ( A )	Voltage ( V )
1 - 50	5,000	240 / 480
51 - 200	10,000	240 / 480
201 - 400	18,000	240 / 480
401 - 600	30,000	240 / 480

# Préface

- ◆ Le produit est un lecteur conçu pour commander un moteur à induction triphasé. lire attentivement ce manuel pour garantir le bon fonctionnement, la sécurité et pour se familiariser avec les fonctions d'entraînement.
- ◆ Le lecteur est un appareil électrique / électronique et doit être installé et géré par un personnel qualifié
- ◆ Une mauvaise manipulation peut entraîner un fonctionnement incorrect, cycle de vie plus court, ou l'échec de ce produit ainsi que le moteur.
- ◆ Tous les documents sont sujets à changement sans préavis. Soyez sûr d'obtenir les dernières éditions de l'utilisation ou visitez notre site Web
- ◆ Lire le manuel d'instructions avant de procéder à l'installation, les connexions (câblage), le fonctionnement ou l'entretien et l'inspection.
- ◆ Vérifiez que vous avez une bonne connaissance de l'entraînement et de vous familiariser avec les consignes de sécurité et les précautions avant de procéder à fonctionner le lecteur.
- ◆ prêter attention aux consignes de sécurité indiquées par l'avertissement  et symbole Attention .

## **Avertissement**

ignorer les informations indiquées par le symbole d'avertissement peut entraîner la mort ou des blessures graves.

## **Attention**

ignorer les informations indiquées par le symbole de mise en garde peut entraîner des blessures mineures ou modérées et / ou des dommages matériels importants.

# Chapitre 1 Consignes de sécurité

## 1.1 avant d'alimenter le disque dur

### Avertissement

- Le circuit principal doit être correctement câblée. Pour les terminaux monophasés d'approvisionnement de l'utilisation des intrants (R/L1, T/L3) et de trois bornes d'entrée de l'utilisation de l'offre de phase (R/L1, S/L2, T/L3). U/T1, V/T2, W/T3 ne doivent être utilisés pour connecter le moteur. Raccordement de l'alimentation d'entrée à l'un des U/T1, V/T2 W/T3 ou bornes risque d'endommager le lecteur.

### Attention

- Pour éviter que le couvercle ne se désengage ou de tout autre dommage physique, ne portez pas le lecteur par son couverture. Soutenir le groupe par son dissipateur de chaleur lors du transport. Une mauvaise manipulation peut endommager le lecteur ou blesser le personnel, et doit être évitée.
- Pour éviter que les risques d'incendie, ne pas installer le lecteur sur ou à proximité d'objets inflammables. Installer sur des objets ininflammables comme les surfaces métalliques.
- Si plusieurs disques sont placés dans le même panneau de contrôle, fournir une ventilation adéquate pour maintenir la température en dessous de 40 ° C/104 ° F (50 ° C/122 ° F sans housse de protection) pour éviter la surchauffe ou incendie.  
Lors d'un retrait ou d'installation de l'opérateur numérique, éteignez-le d'abord, puis de suivre les instructions de ce manuel pour éviter les erreurs de l'opérateur ou de la perte de l'affichage causé par des connexions défectueuses.

### Avertissement

- Lors d'un retrait ou d'installation de l'opérateur numérique, éteignez-le d'abord, puis de suivre les instructions de ce manuel pour éviter les erreurs de l'opérateur ou de la perte de l'affichage causé par des connexions défectueuses....

## 1.2 Câblage

### Avertissement

- Coupez toujours l'alimentation électrique avant de procéder à l'installation d'entraînement et le câblage des terminaux utilisateurs.
- Le câblage doit être effectué par un personnel qualifié / électricien certifié.
- Assurez-vous que le lecteur est correctement mis à la terre. (220V Classe: impédance de mise à la terre doit être inférieure à 100Ω Classe 440V: Impédance de mise à la terre doit être inférieure à 10Ω.)
- vérifier et tester mes circuits d'arrêt d'urgence après le câblage. (L'Installateur est responsable du câblage.)
- Ne touchez jamais de l'entrée ou de lignes électriques de sortie permettant directement ou toute entrée ou de lignes de puissance de sortie à venir en contact avec le boîtier d'entraînement.
- Ne pas effectuer un test de tenue en tension diélectrique (mégohmmètre) sur le disque dur ou cela va entraîner des dommages de lecture pour les composants semi-conducteurs.



#### Attention

- La tension d'alimentation appliquée doit se conformer à la tension d'entrée spécifiée par le lecteur. (Voir la section signalétique du produit)
- Raccorder la résistance de freinage et de l'unité de freinage sur les bornes assignées.
- Ne pas brancher une résistance de freinage directement sur les bornes CC P (+) et N (-), sinon risque d'incendie.
- Utilisez des recommandations de la jauge de fil et les spécifications de couple. (Voir Wire Gauge et la section de spécification de couple) ◦
- Ne jamais brancher l'alimentation d'entrée aux bornes onduleur de sortie U/T1, V/T2, W/T3.
- Ne pas brancher un contacteur ou interrupteur en série avec le variateur et le moteur.
- Ne branchez pas un facteur condensateur de correction de puissance ou supprimeur de tension à la sortie du variateur ◦
- S'assurer que l'interférence générée par l'entraînement et le moteur n'a pas d'incidence sur les périphériques.

### 1.3 Avant l'opération



#### Avertissement

- Assurez-vous que la capacité du disque correspond aux paramètres de notation avant d'alimenter.
- Réduire le paramètre de la fréquence porteuse si le câble du variateur au moteur est supérieure à 80 pi (25 m). Un courant de haute fréquence peut être générée par la capacité parasite entre les câbles et entraîner un déclenchement de surintensité du variateur, une augmentation du courant ou d'une lecture actuelle inexacts.
- Veillez à installer tous les couvercles avant de l'allumer. Ne retirez pas les capots pendant que l'alimentation du lecteur est allumé, un choc électrique peut se produire autrement.
- Ne pas actionner d'interrupteurs avec les mains mouillées, un choc électrique pourrait survenir autrement.
- Ne touchez pas les bornes d'entraînement lorsqu'il est alimenté, même si le lecteur est arrêté, un choc électrique pourrait survenir autrement.

### 1.4 Configuration Paramètre



#### Attention

- Ne branchez pas une charge pour le moteur tout en effectuant un auto-tune.
- Assurez-vous que le moteur peut fonctionner librement et il y a suffisamment d'espace autour du moteur lors de l'exécution d'un auto-tune rotation.

### 1.5 Opération




#### Avertissement

- Veillez à installer tous les couvercles avant de l'allumer. Ne retirez pas les capots pendant que l'alimentation du lecteur est allumé, un choc électrique peut se produire autrement.
- Ne pas brancher ou débrancher le moteur pendant le fonctionnement. Le variateur



- pourrai se déclencher et ainsi endommager le lecteur.
- Les opérations peuvent commencer soudainement si une alarme ou un défaut est réarmé avec un ordre de marche active. Assurez-vous qu'un ordre de marche est actif lors de la réinitialisation de l'alarme ou de défaut, autrement des accidents peuvent se produire.
- Ne pas actionner d'interrupteurs avec les mains mouillées, un choc électrique pourrait survenir .
- Un interrupteur d'urgence externe indépendant est fourni, qui s'arrête en urgence vers le bas la sortie de l'onduleur en cas de danger.
- Si le redémarrage automatique après une récupération d'énergie est activée, le variateur démarrera automatiquement après le rétablissement du courant.
- Assurez-vous qu'il est sûr de faire fonctionner le variateur et le moteur avant d'effectuer un auto-tune rotation.
- Ne touchez pas les bornes d'entraînement lorsqu'il est alimenté même si l'onduleur s'est arrêté, un choc électrique pourrait survenir .
- Ne pas contrôler les signaux sur les circuits pendant que le lecteur est en marche.
- Après la mise hors tension, le ventilateur de refroidissement peut continuer à fonctionner pendant un certain temps.

 Attention

- Ne touchez pas les composants générant de la chaleur tels que radiateurs et des résistances de freinage. 
- Vérifiez soigneusement la performance du moteur ou de la machine avant d'utiliser à grande vitesse, sous peine de blessure.
- Notez les réglages des paramètres liés à l'unité de freinage lorsque applicable.
- Ne pas utiliser la fonction de freinage d'entraînement pour un maintien mécanique, sous peine de blessure.
- Ne pas contrôler les signaux sur les circuits pendant que le lecteur est en marche.

## 1.6 Entretien, Inspection et remplacement

 Avertissement

- Attendre un minimum de 5 minutes après que l'alimentation a été débranchée avant de commencer une inspection. Vérifiez également que le voyant de charge est éteint et que la tension du bus cc a chuté au-dessous de 25Vdc.
- Ne jamais toucher les bornes à haute tension dans le lecteur.
- Assurez-vous que l'alimentation du lecteur est débranché avant de démonter le lecteur.
- Seul le personnel autorisé peuvent faire l'entretien, l'inspection et les opérations de remplacement. (Enlevez les bijoux en métal tels que les montres et les bagues et utiliser des outils isolés.)

 Attention

- Le variateur peut être utilisé dans un environnement avec une gamme de température allant de 14 ° -104 ° F (10-40 ° C) et l'humidité relative de 95% sans condensation.
- Le variateur doit être utilisé dans un environnement sans poussière, gaz, vapeur et humidité.

## 1.7 Mise au rebut du variateur

 Attention

- jeter cet appareil avec soin comme un déchet industriel et selon les réglementations locales nécessaires.
- Les condensateurs du circuit principal d'entraînement et circuits imprimés sont considérés comme des déchets dangereux et ne doivent pas être brûlés.
- The Plastic enclosure and parts of the drive such as the top cover board will release harmful gases if burned.



Les équipements contenant des composants électriques ne doivent pas être éliminés avec les ordures ménagères. Il doit être collecté séparément avec les déchets électriques et électroniques conformément à la législation locale en vigueur.

# 產品說明書附件

## 產品中的有害物質的名稱及含量

部件名稱		有毒有害物質或元素					
		鉛及其化合物 (Pb)	汞及其化合物 (Hg)	鎘及其化合物 (Cd)	六價鉻化合物 (Cr (VI))	多溴聯苯 (PBB)	多溴二苯醚 (PBDE)
電子部件	電子元器件	X	O	O	O	O	O
	電磁接觸器	O	O	X	O	O	O
顯示器		O	O	O	O	O	O
電線和電纜	接線端子	X	O	O	O	O	O
	導線	O	O	O	O	O	O
	絕緣部件	O	O	O	O	O	O
機械部件	導電銅柱、風扇、溫控開關	X	O	O	O	O	O
	其他	O	O	O	O	O	O

本表格依據 SJ/T 11364 的規定編制。

O：表示該有毒有害物質在該部件所有均質材料中的含量均在 GB/T 26572 規定的限量要求以下。

X：表示該有毒有害物質至少在該部件的某一均質材料中的含量超出 GB/T 26572 標準規定的限量要求。

主要部件名稱中的部件定義：

電子部件 - 包括電子元件、焊接印刷電路板等。

顯示器 - 包括顯示單元、電子元器件或觸控式螢幕。

電線和電纜 - 包括終端、接線、遮罩線、護套以及電子部件。

機械部件 - 除已定義電子部件、顯示器、電線和電纜以外的部件。

超限說明：

電子元器件：部分電子元器件中鉛含量超過 1000ppm 但符合歐盟 RoHS 指令豁免條例

7 (a)：高熔融溫度型焊料中的鉛（例如：鉛基合金中鉛含量 $\geq$ 85 %）；

7 (c) -I：電子器件的玻璃或陶瓷（電容中介電陶瓷除外）中的鉛，或玻璃或陶瓷複合材料中的鉛（例如：壓電陶瓷器件）

電磁接觸器：部分電磁接觸器中鎘含量超過 100ppm 符合歐盟 RoHS 指令豁免條例

8 (b) 鎘及其化合物，用於電子觸點。

接線端子、導電銅柱、風扇、溫控開關：電線和電纜、機械部件中某些組成部分可能鉛含量超過 1000ppm 但符合歐盟 RoHS 指令豁免條例

6 (a) 鉛作為一種合金元素，在用於加工的鋼和鍍鋅鋼中鉛含量不超過 0.35% (Wt)；

6 (b) 鋁合金中的鉛含量最大容許濃度為 0.4%；

6 (c) 銅合金中的鉛含量最大容許濃度為 4%；

環保使用期限說明：

在環保使用期限內，消費者在正常使用過程中，本產品不會出現有害物質洩漏，析出等影響消費者健康的問題，可以放心使用。

本公司產品環保使用期限為 10 年，只有在本說明書所述的正常情況下使用本產品時，“環保使用期限”才有效。



免責聲明：由本公司所提供的關於其產品中所含物質含量的資訊，僅代表本公司在提供該資訊之時對該產品的瞭解和知識。本公司的這些知識和瞭解是基於由協力廠商提供的資訊為基礎的，而本公司無法承諾也無法保證該等協力廠商資訊的準確性。本公司可能沒有就所採用的材料或化學品進行破壞性測試或化學分析。上述產品的使用和本公司的相關責任，應以本公司的標準合同條款為準。



**TECO Electric & Machinery Co., Ltd.**

**東元電機股份有限公司**

10F., No.3-1, Park St., Nangang District,

Taipei City 115, Taiwan

115台北市南港區園區街3-1號10樓

Tel :+886-2-6615-9111

Fax :+886-2-6615-0933

Distributor

<http://industrialproducts.teco.com.tw/>

4KA72X694T11 Ver:09 2019.10

Please link to our website, to download the instruction manual of this product for proper use.

請連結至本公司官網，下載使用說明書，以能正確的使用本產品。

This manual may be modified when necessary because of improvement of the product, modification, or changes in specifications, This manual is subject to change without notice.

為持續改善產品，本公司保留變更設計規格之權利。



中文



English